

Electrical Properties:

Frequency Range: 2.4~2.5 GHz
 Impedance: 50Ω nominal
 VSWR: <2.0:1
 Gain: *2.0 dBi
 Radiation: Omni
 Polarization: Vertical

*Gain is measured under no flying lead.

Mechanical Properties:

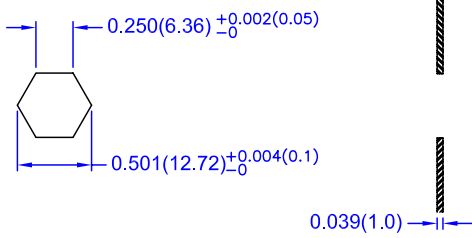
Cable: 1.37mm dia. Coax
 Cable Length: Standard length L=6 inches or to be specified.
 Connector: IPEX MHF micro coaxial connector
 Plug(female) 20278-**1R-32
 fit for IPEX: 20279-001E-01;
 Hirose: CL331-0471-0-10

Material:
 Overmold: Polyurethane(Black); BASF
 Bushing: Polycarbonate(Black); Bayer
 Swivel: Polyurethane(Black); BASF and Polycarbonate(Black); Bayer

Operation Temp.: -20°C to +65°C
 Storage Temp.: -30°C to +75°C

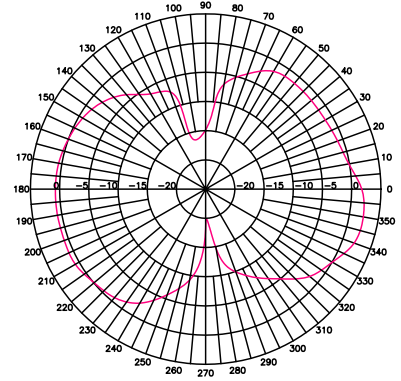
TITLE	2.4GHz flying lead panel click antenna - 131 model		DATE	SHEET
			123004	1 of 4
UNIT	DWG. NO.	S131CL - L - PX - 2450S		
in.(mm)				
SCALE				
None		NEARSON		

<http://www.nearson.com>

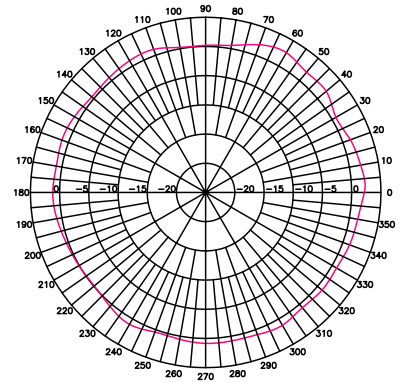


Recommended Mounting - Hole Dimensions

E-Plane Pattern @ 2.45GHz



H-Plane Pattern @ 2.45GHz



L (inch)	Attenuation (dB)
3"	0.23 dB
4"	0.30 dB
5"	0.38 dB
6"	0.45 dB
8"	0.60 dB
10"	0.75 dB
12"	0.90 dB

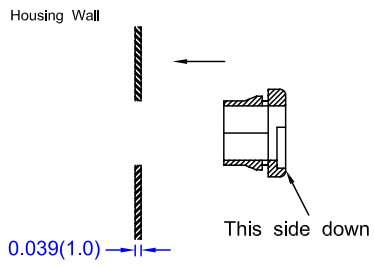
Flying Lead Cable Length v.s. Attenuation Table
1.37mm Cable Measured @ 2.45GHz

TITLE	2.4GHz flying lead panel click antenna - 131 model	DATE	123004	SHEET	2 of 4
UNIT	DWG. NO.	S131CL - L - PX - 2450S			
in.(mm)	NEARSON				
SCALE					
None					

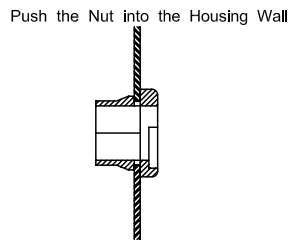
<http://www.nearson.com>

Patent Protected - US6.518.928

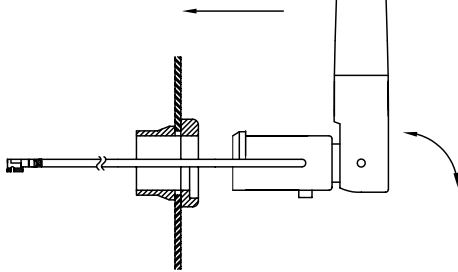
①



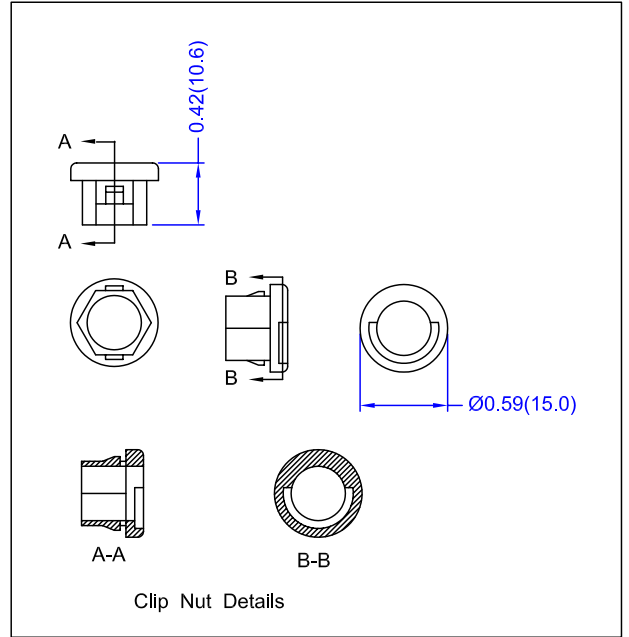
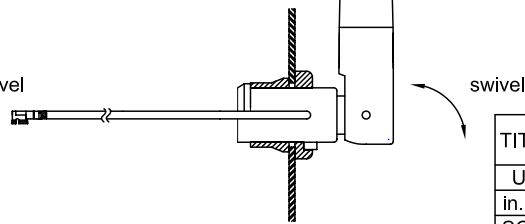
②



③



④ Installation Completed

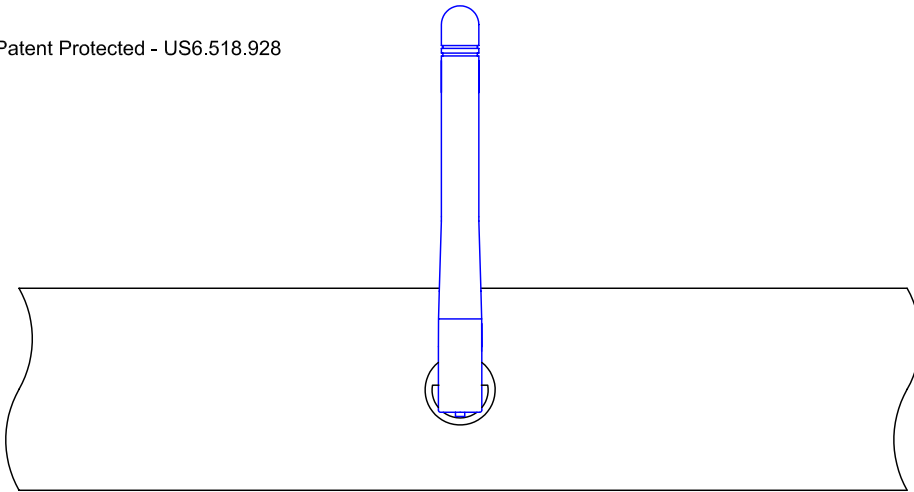


TITLE	2.4GHz flying lead panel click antenna - 131 model	DATE	123004	SHEET	3 of 4
UNIT	DWG. NO.	S131CL - L - PX - 2450S			
in.(mm)					
SCALE	None				

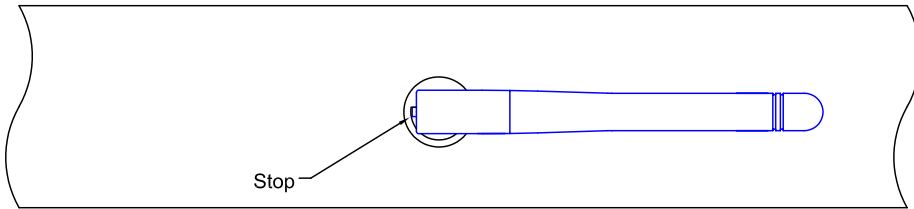
NEARSON

<http://www.nearson.com>

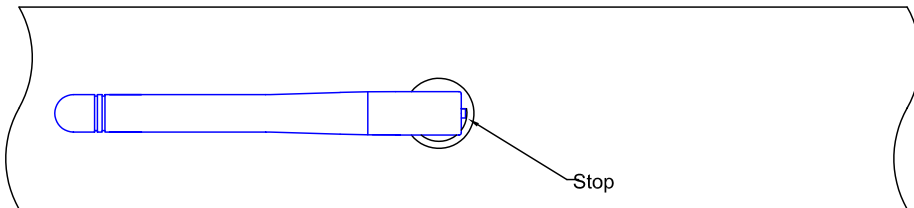
Patent Protected - US6.518.928



Antenna Upward



Rotation +90°



Rotation -90°

1. 131CL model can also rotate in panel parallel direction.
2. Rotate in -90° to +90° prevent the cable over-twisted inside the device.
3. The antenna can stay in any angle between -90° and +90°.

TITLE	2.4GHz flying lead panel click antenna - 131 model	DATE	123004	SHEET	4 of 4
UNIT	DWG. NO.	S131CL - L - PX - 2450S			
in.(mm)	NEARSON				
SCALE					
None	http://www.nearson.com				