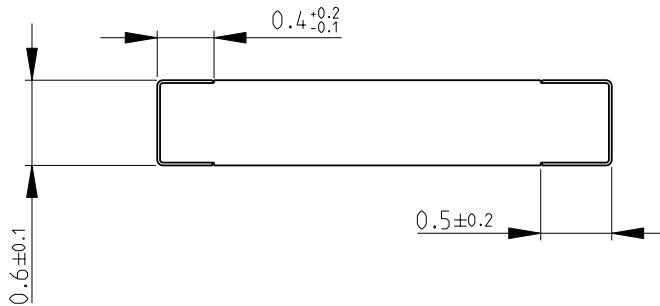
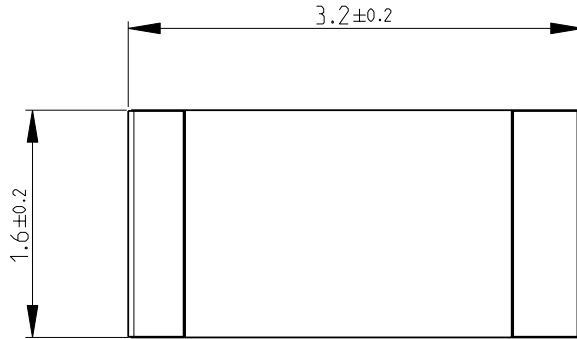
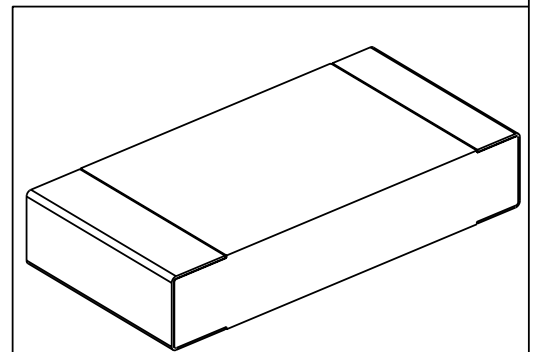


LOC	DIST	REVISIONS				
P	LTR	DESCRIPTION	DATE	DWN	APVD	
E	B	BA	NEW RELEASE	05MAY2010	PT	St.P

FOR FURTHER INFORMATION SEE DATA SHEET FOR
RP73 SERIES-SMD HIGH POWER PRECISION RESISTORS



RoHS Compliant



2008

RELEASED FOR PUBLICATION

THIS DRAWING IS UNPUBLISHED.

BY TYCO ELECTRONICS CORPORATION. ALL RIGHTS RESERVED.

DIMENSIONS: mm TOLERANCES UNLESS OTHERWISE SPECIFIED: 0 PLC ±0.2 1 PLC ±0.1 2 PLC ±- 3 PLC ±- 4 PLC ±- ANGLES ±5°	DWN PARUSURAM.T 05MAY2010	MATERIAL -	FINISH -
	CHK SUBHASH.M 05MAY2010	Tyco Electronics Corporation Dorcan, Swindon, SN3 5HH	
	APVD STEPHEN.P 05MAY2010	NAME SMD HIGH POWER PRECISION RESISTORS SERIES RP73 - 2B	
	PRODUCT SPEC -	SIZE A 4	RESTRICTED TO -
	APPLICATION SPEC -	CAGE CODE 00779	DRAWING NO C= 1879266
	WEIGHT -	SCALE 20:1 SHEET 1 OF 1 REV BA	
		CUSTOMER DRAWING	