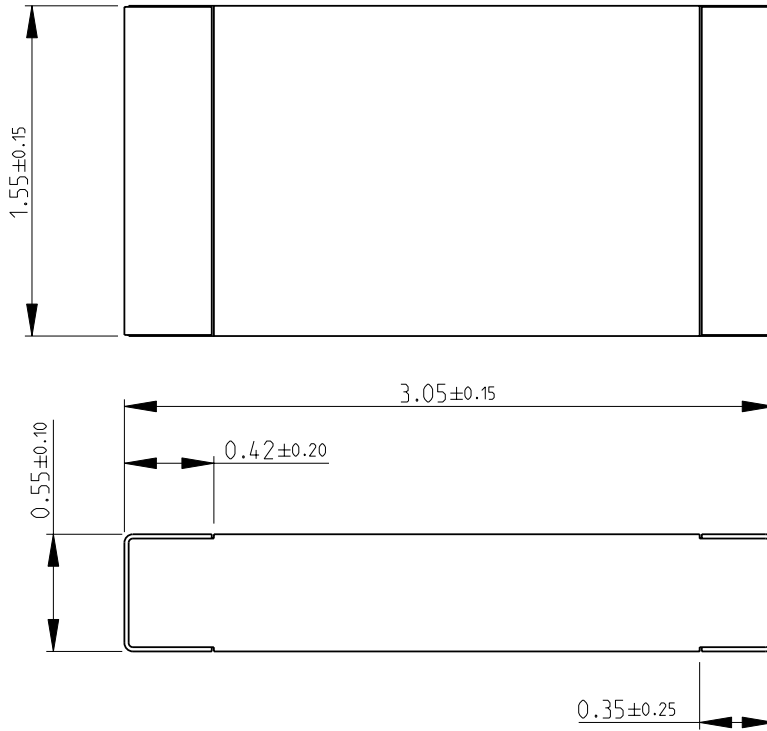
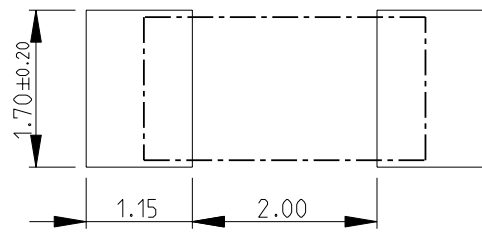


LOC	DIST	REVISIONS					
E	B	P	LTR	DESCRIPTION	DATE	DWN	APVD
			BA	NEW RELEASE	18-FEB-10	MRS	St.P

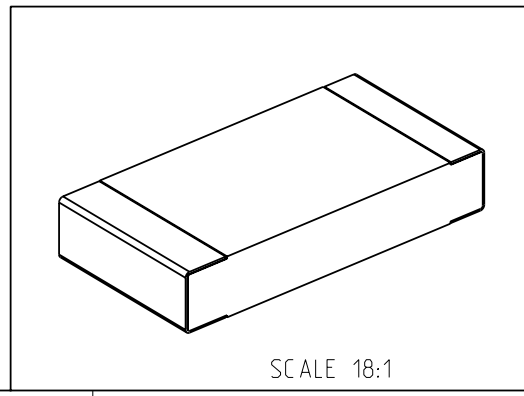
FOR FURTHER INFORMATION SEE DATA SHEET FOR  
RN73 SERIES-HIGH PRECISION RESISTORS (SMD)



RoHS Compliant



RECOMMENDED LAND PATTERN



2010  
 RELEASED FOR PUBLICATION  
 THIS DRAWING IS UNPUBLISHED.  
 BY TYCO ELECTRONICS CORPORATION. ALL RIGHTS RESERVED.  
 COPYRIGHT 2010

DIMENSIONS: mm	DWN	MAHARUDRA	25-MAR-10	MATERIAL	-	FINISH	-
	CHK	ALLAN.P	25-MAR-10	Tyco Electronics Corporation Dorcan, Swindon, SN3 5HH			
TOLERANCES UNLESS OTHERWISE SPECIFIED: 0 PLC ±0.2 1 PLC ±0.1 2 PLC ±- 3 PLC ±- 4 PLC ±- ANGLES ±5°	APVD	STEPHEN.P	25-MAR-10				
	PRODUCT SPEC	-	-	NAME HIGH PRECISION RESISTORS (SMD) SERIES RN73 2B			
	APPLICATION SPEC	-	-	SIZE	A 4	CAGE CODE	00779
	WEIGHT	-	-	DRAWING NO	C= 1614707		RESTRICTED TO
				CUSTOMER DRAWING		SCALE	30:1
						SHEET	1 OF 1
						REV	BA