



RF LDMOS Wideband 2-Stage Power Amplifiers

Designed for broadband commercial and industrial applications with frequencies from 132 MHz to 960 MHz. The high gain and broadband performance of this device make it ideal for large-signal, common-source amplifier applications in 28 volt base station equipment. The device has a 2-stage design with off-chip matching for the input, interstage and output networks to cover the desired frequency band.

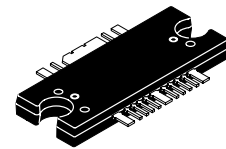
- Typical Performance: 800 MHz, 28 Volts, $I_{DQ1} = 80 \text{ mA}$, $I_{DQ2} = 650 \text{ mA}$, $P_{out} = 70 \text{ Watts PEP}$
 Power Gain — 30 dB
 Drain Efficiency — 48%
- Capable of Handling 10:1 VSWR, @ 28 Vdc, 850 MHz, 70 Watts CW Output Power

Features

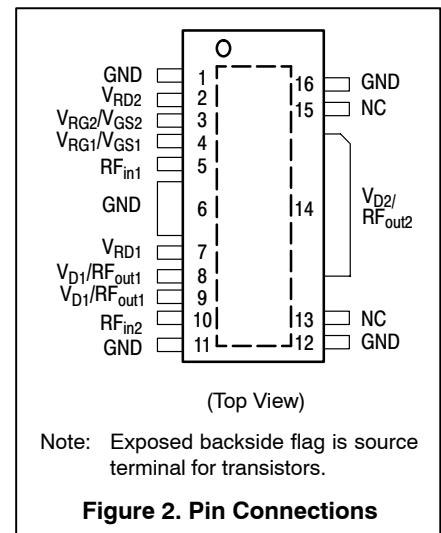
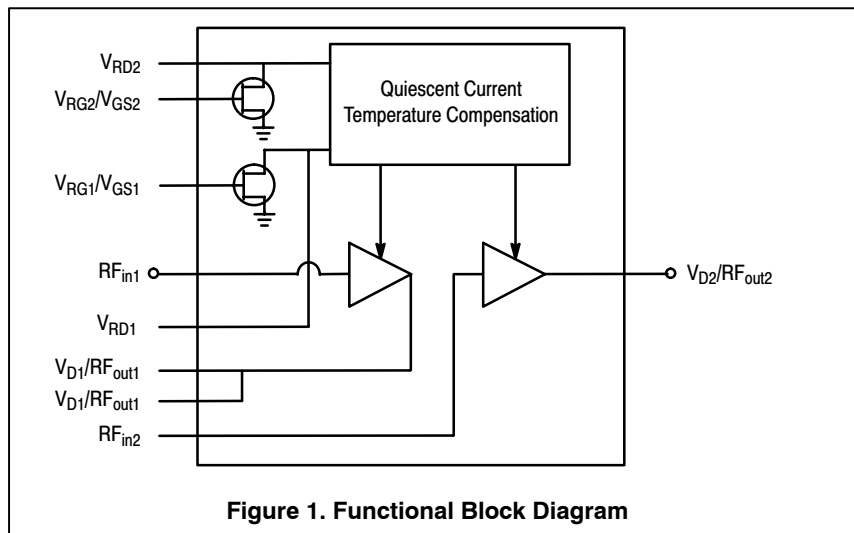
- Characterized with Series Equivalent Large-Signal Impedance Parameters
- Integrated Quiescent Current Temperature Compensation with Enable/Disable Function
- On-Chip Current Mirror g_m Reference FET for Self Biasing Application (1)
- Integrated ESD Protection
- 200°C Capable Plastic Package
- RoHS Compliant
- In Tape and Reel. R1 Suffix = 500 Units per 44 mm, 13 inch Reel.

MW5IC970NBR1

**800-900 MHz, 70 W, 28 V
 RF LDMOS WIDEBAND
 2-STAGE POWER AMPLIFIERS**



**CASE 1329-09
 TO-272 WB-16
 PLASTIC**



1. Refer to AN1987, *Quiescent Current Control for the RF Integrated Circuit Device Family*. Go to <http://www.freescale.com/rf>. Select Documentation/Application Notes - AN1987.

Table 1. Maximum Ratings

Rating	Symbol	Value	Unit
Drain-Source Voltage	V_{DSS}	- 0.5, +65	Vdc
Gate-Source Voltage	V_{GS}	- 0.5, +15	Vdc
Storage Temperature Range	T_{stg}	- 65 to +200	°C
Operating Junction Temperature	T_J	200	°C

Table 2. Thermal Characteristics

Characteristic	Symbol	Value (1)	Unit
Thermal Resistance, Junction to Case	$R_{\theta JC}$		°C/W
Final Application ($P_{out} = 70$ W CW)	Stage 1, 28 Vdc, $I_{DQ} = 80$ mA Stage 2, 28 Vdc, $I_{DQ} = 650$ mA	5.2 0.8	
EDGE Application ($P_{out} = 35$ W CW)	Stage 1, 28 Vdc, $I_{DQ} = 80$ mA Stage 2, 28 Vdc, $I_{DQ} = 650$ mA	5.3 0.8	

Table 3. ESD Protection Characteristics

Test Methodology	Class
Human Body Model (per JESD22-A114)	1A (Minimum)
Machine Model (per EIA/JESD22-A115)	A (Minimum)
Charge Device Model (per JESD22-C101)	IV (Minimum)

Table 4. Moisture Sensitivity Level

Test Methodology	Rating	Package Peak Temperature	Unit
Per JESD 22-A113, IPC/JEDEC J-STD-020	3	260	°C

Table 5. Electrical Characteristics ($T_C = 25^\circ\text{C}$ unless otherwise noted)

Characteristic	Symbol	Min	Typ	Max	Unit
----------------	--------	-----	-----	-----	------

Functional Tests (In Freescale Test Fixture, 50 ohm system) $V_{DD} = 28.5$ Vdc, $I_{DQ1} = 80$ mA, $I_{DQ2} = 650$ mA, $P_{out} = 70$ W PEP, $f_1 = 870.0$ MHz, $f_2 = 870.1$ MHz

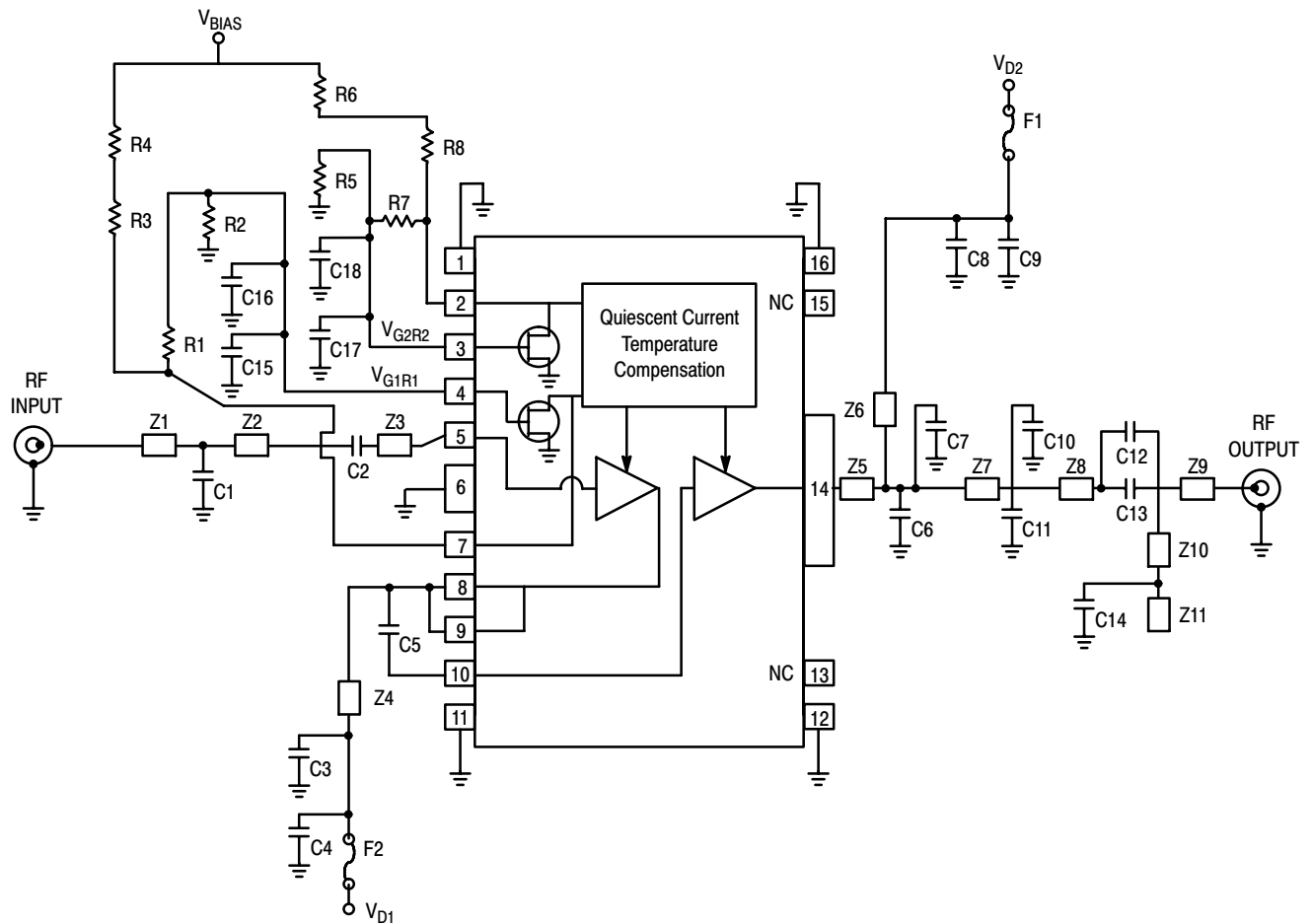
Power Gain	G_{ps}	26.5	30	34.5	dB
Drain Efficiency	η_D	40	48	—	%
Input Return Loss	IRL	—	-12	-10	dB
Intermodulation Distortion	IMD	—	-33	-28	dBc

Typical 800/900 MHz Performances (In Freescale 800/900 MHz Reference Fixture, 50 ohm system) $V_{DD} = 28$ Vdc, $I_{DQ1} = 80$ mA, $I_{DQ2} = 650$ mA, 740-870 MHz, 870-960 MHz

Gain Flatness in 30 MHz Bandwidth @ $P_{out} = 70$ W CW	G_F	—	2	—	dB
Gain Flatness in 30 MHz Instantaneous Bandwidth @ $P_{out} = 70$ W CW	G_F	—	0.2	—	dB
Delay @ $P_{out} = 70$ W CW Including Output Matching	Delay	—	4.5	—	ns
Part-to-Part Phase Variation @ $P_{out} = 70$ W CW	$\Delta\Phi$	—	± 15	—	°

1. Refer to AN1955, *Thermal Measurement Methodology of RF Power Amplifiers*. Go to <http://www.freescale.com/rf>. Select Documentation/Application Notes - AN1955.

(continued)



Z1	0.485" x 0.066" Microstrip	Z7	0.040" x 0.233" Microstrip
Z2	0.270" x 0.040" Microstrip	Z8	0.450" x 0.120" Microstrip
Z3	0.068" x 0.020" Microstrip	Z9	0.100" x 0.066" Microstrip
Z4	0.950" x 0.040" Microstrip	Z10	1.000" x 0.040" Microstrip
Z5	0.131" x 0.233" Microstrip	Z11	0.148" x 0.040" Microstrip
Z6	0.797" x 0.050" Microstrip	PCB	Rogers 4350B, 0.030", $\epsilon_r = 3.5$

Figure 3. MW5IC970NBR1 Test Circuit Schematic

Table 6. MW5IC970NBR1 Test Circuit Component Designations and Values

Part	Description	Part Number	Manufacturer
C1, C10, C11	3.9 pF Chip Capacitor	600S3R9BT	ATC
C2	56 pF Chip Capacitor	600S560JW	ATC
C3, C8, C14, C15, C17	39 pF Chip Capacitors	GRM40001C0G390J050BD	Murata
C4, C9	10 μ F Chip Capacitors	ECJ4YF1H106Z	Panasonic
C5	24 pF Chip Capacitor	600F240JT	ATC
C6, C7	15 pF Chip Capacitors	600F150JT	ATC
C12	4.7 pF Chip Capacitor	600F4R7BT	ATC
C13	0.4 pF Chip Capacitor	600F0R4BT	ATC
C16, C18, C19, C20	0.015 μ F Chip Capacitors	GRM400X7R153J050BD	Murata
F1	5A Surface Mount Fuse	1FT5A	Little Fuse
F2	1A Surface Mount Fuse	1FT1A	Little Fuse
R1, R7	681 Ω , Chip Resistors		
R2, R5	4.75 k Ω , Chip Resistors		
R3, R4, R8	1.21 k Ω , Chip Resistors		
R6	267 Ω , Chip Resistor		

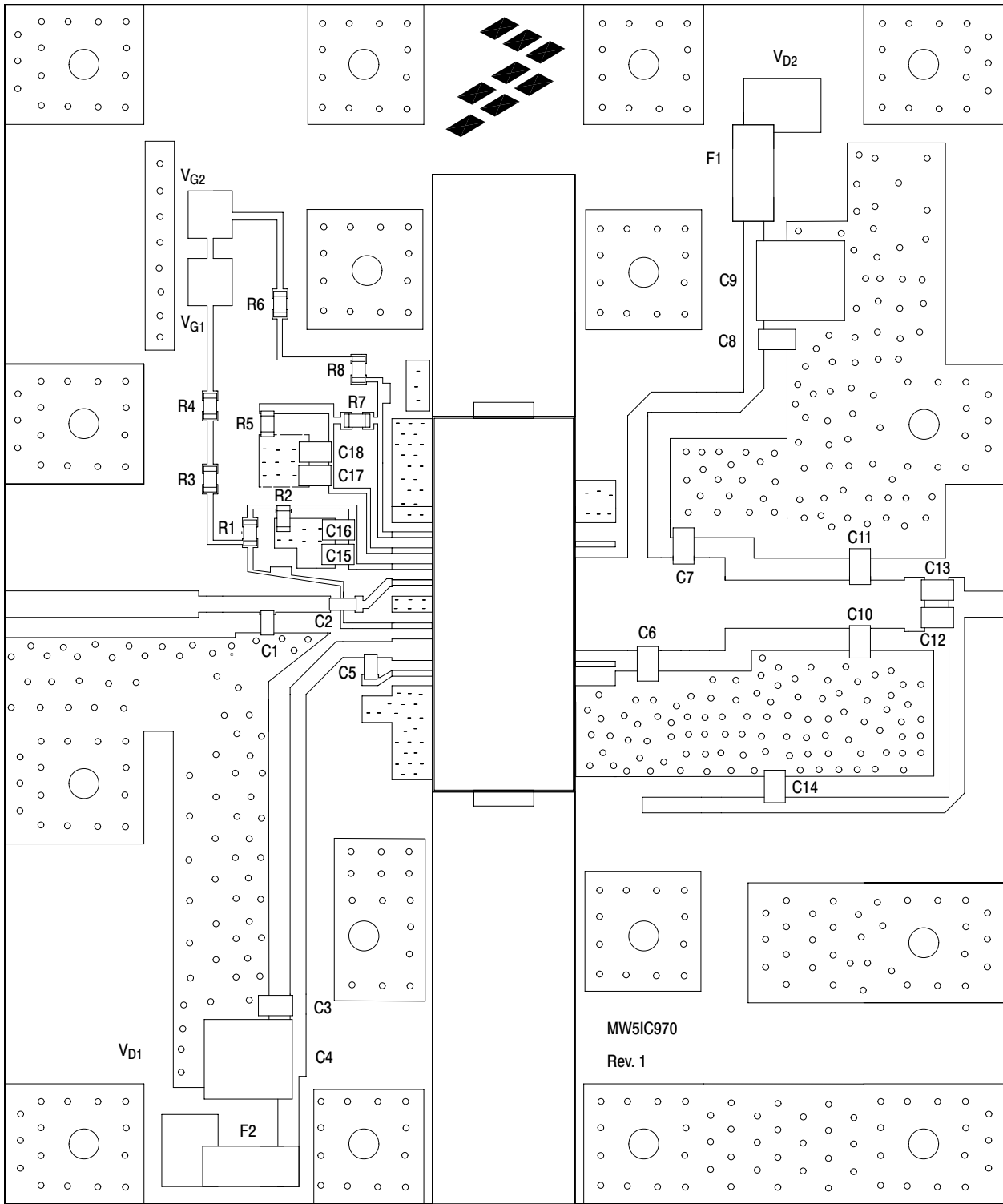


Figure 4. MW5IC970NBR1 Test Circuit Component Layout

TYPICAL CHARACTERISTICS

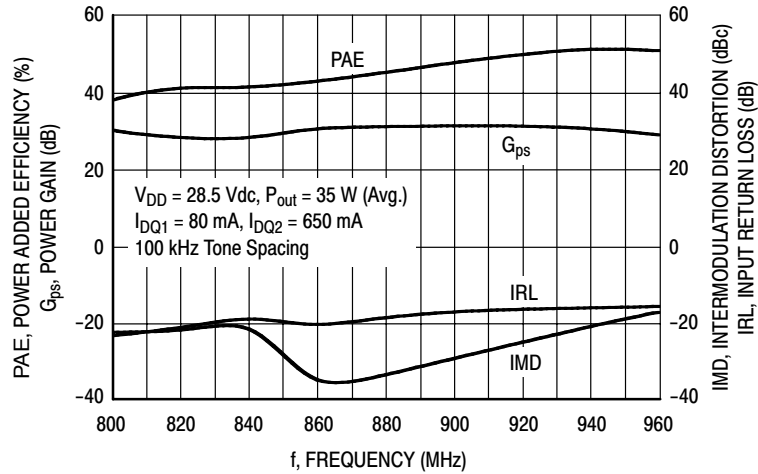


Figure 5. Two-Tone Wideband Performance
@ $P_{out} = 35$ Watts (Avg.)

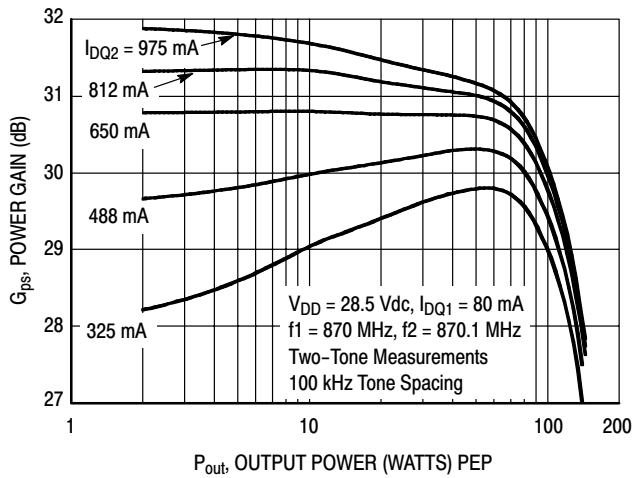


Figure 6. Two-Tone Power Gain versus
Output Power

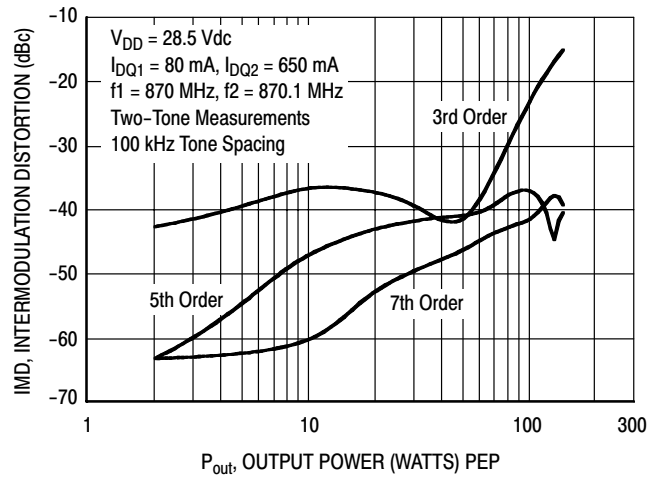


Figure 7. Intermodulation Distortion Products
versus Output Power

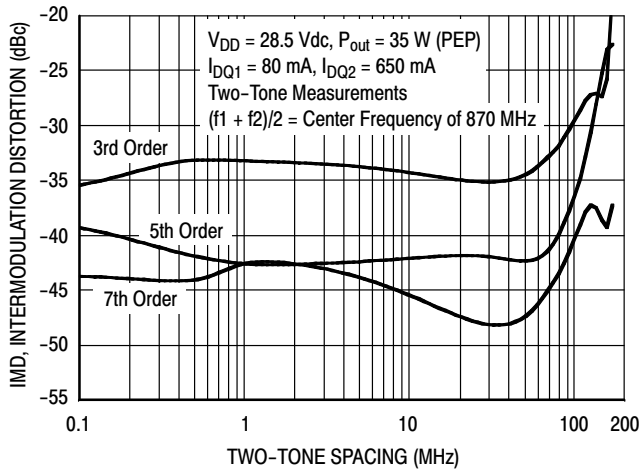


Figure 8. Intermodulation Distortion Products
versus Tone Spacing

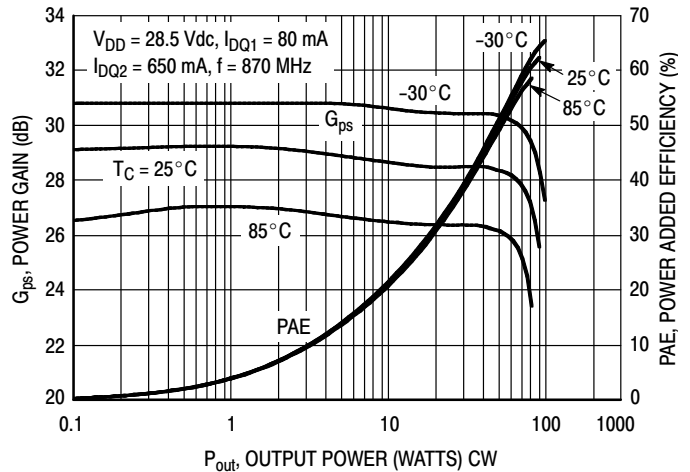


Figure 9. Power Gain and Power Added
Efficiency versus CW Output Power

MW5IC970NBR1

TYPICAL CHARACTERISTICS

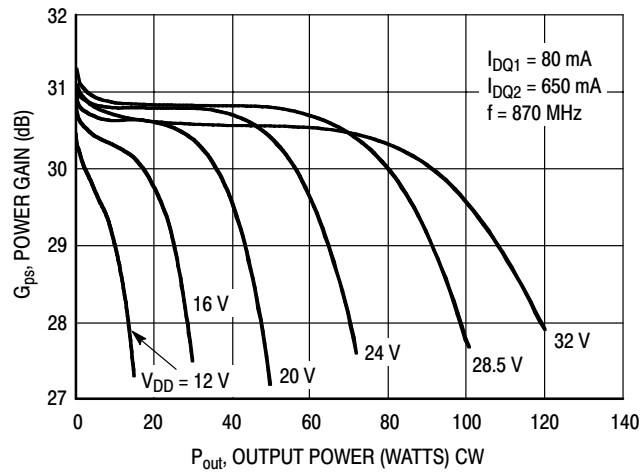
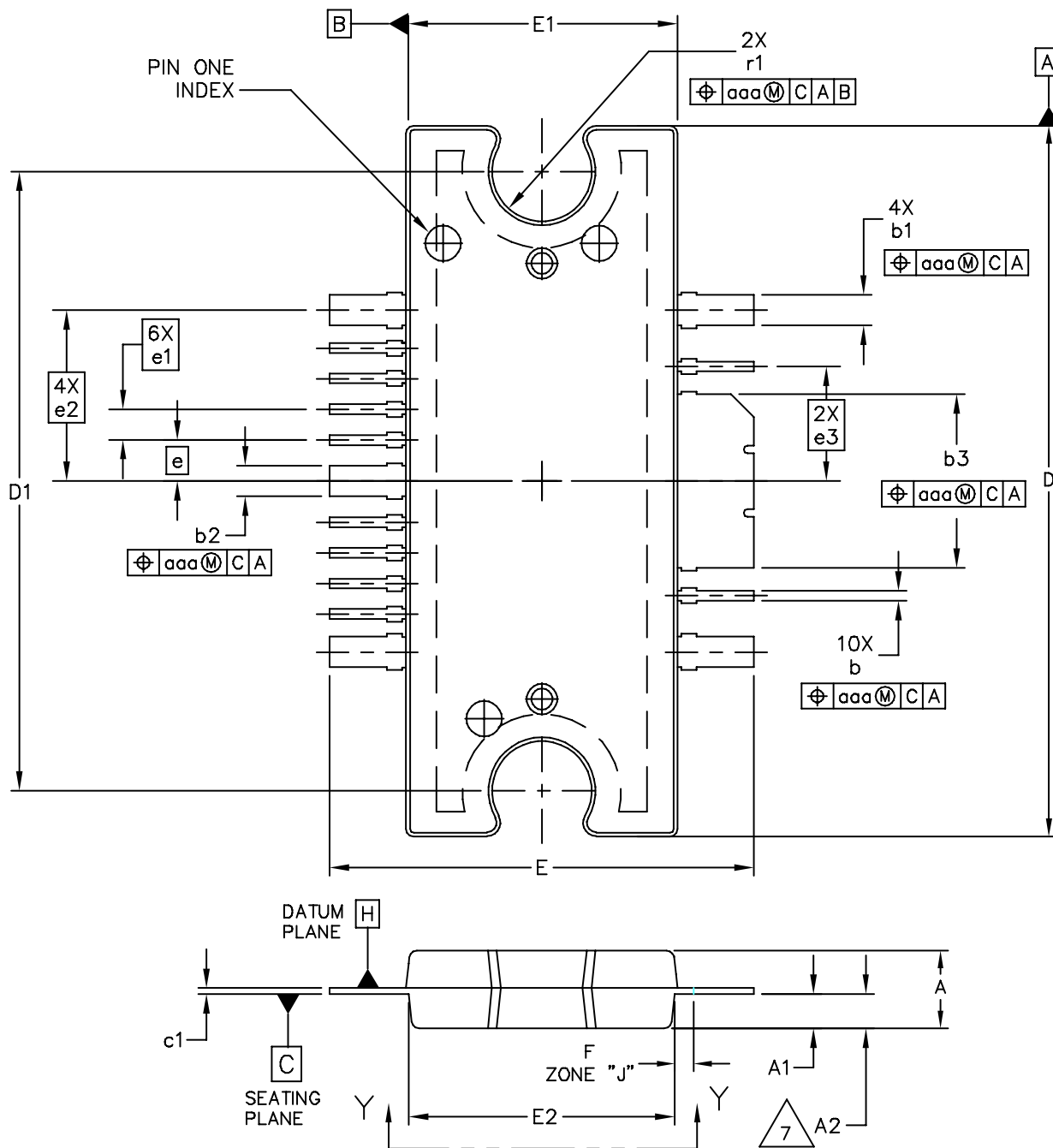


Figure 10. Power Gain versus Output Power

NOTES

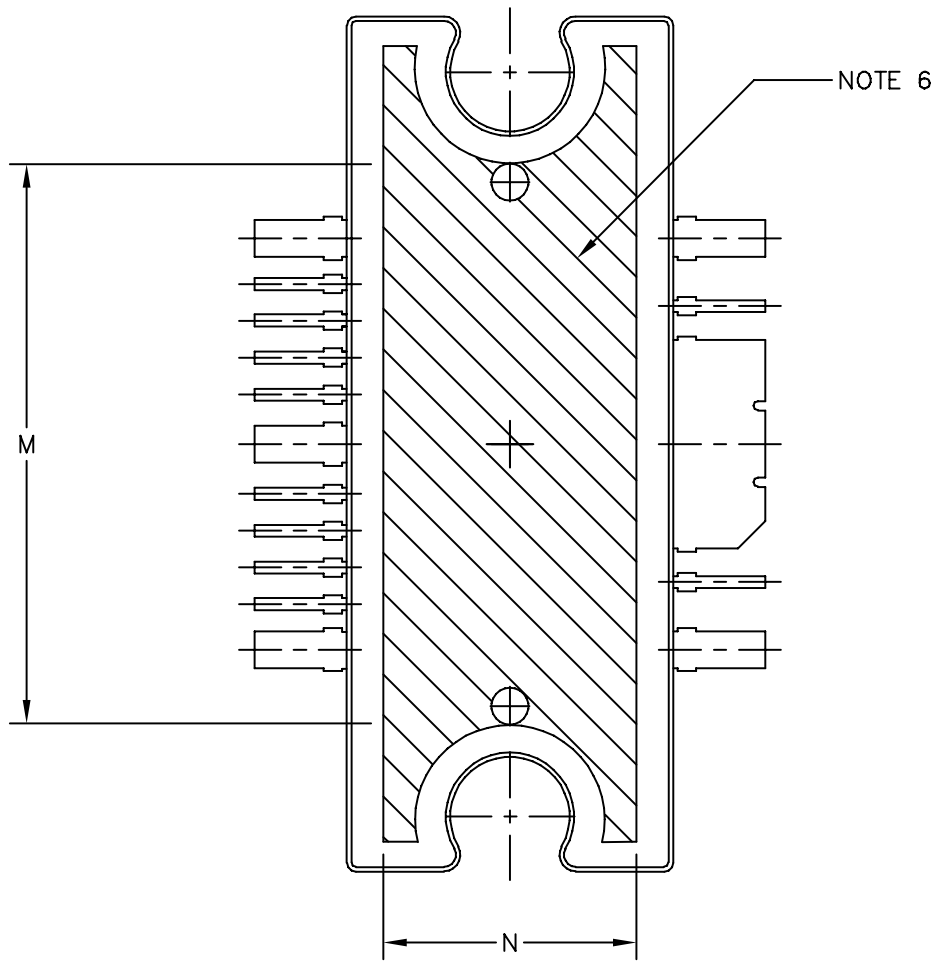
NOTES

PACKAGE DIMENSIONS



© FREESCALE SEMICONDUCTOR, INC. ALL RIGHTS RESERVED.	MECHANICAL OUTLINE	PRINT VERSION NOT TO SCALE	
TITLE: TO-272 WIDE BODY MULTI-LEAD	DOCUMENT NO: 98ARH99164A	REV: L	
	CASE NUMBER: 1329-09	13 MAR 2006	
	STANDARD: NON-JEDEC		

MW5IC970NBR1



VIEW Y-Y

© FREESCALE SEMICONDUCTOR, INC. ALL RIGHTS RESERVED.	MECHANICAL OUTLINE	PRINT VERSION NOT TO SCALE	
TITLE: TO-272 WIDE BODY MULTI-LEAD	DOCUMENT NO: 98ARH99164A	REV: L	
	CASE NUMBER: 1329-09	13 MAR 2006	
	STANDARD: NON-JEDEC		

NOTES:

1. CONTROLLING DIMENSION: INCH
2. INTERPRET DIMENSIONS AND TOLERANCES PER ASME Y14.5M-1994.
3. DATUM PLANE -H- IS LOCATED AT THE TOP OF LEAD AND IS COINCIDENT WITH THE LEAD WHERE THE LEAD EXITS THE PLASTIC BODY AT THE TOP OF THE PARTING LINE.
4. DIMENSIONS "D" AND "E1" DO NOT INCLUDE MOLD PROTRUSION. ALLOWABLE PROTRUSION IS .006 (0.15) PER SIDE. DIMENSIONS "D" AND "E1" DO INCLUDE MOLD MISMATCH AND ARE DETERMINED AT DATUM PLANE -H-.
5. DIMENSIONS "b", "b1", "b2" AND "b3" DO NOT INCLUDE DAMBAR PROTRUSION. ALLOWABLE DAMBAR PROTRUSION SHALL BE .005 (0.13) TOTAL IN EXCESS OF THE "b", "b1", "b2" AND "b3" DIMENSIONS AT MAXIMUM MATERIAL CONDITION.
6. HATCHING REPRESENTS THE EXPOSED AREA OF THE HEAT SLUG. HATCHED AREA SHOWN IS ON THE SAME PLANE.
7. DIM A2 APPLIES WITHIN ZONE "J" ONLY.

DIM	INCH		MILLIMETER		DIM	INCH		MILLIMETER	
	MIN	MAX	MIN	MAX		MIN	MAX	MIN	MAX
A	.100	.104	2.54	2.64	b	.011	.017	0.28	0.43
A1	.038	.044	0.96	1.12	b1	.037	.043	0.94	1.09
A2	.040	.042	1.02	1.07	b2	.037	.043	0.94	1.09
D	.928	.932	23.57	23.67	b3	.225	.231	5.72	5.87
D1	.810 BSC		20.57 BSC		c1	.007	.011	.18	.28
E	.551	.559	14.00	14.20	e	.054 BSC		1.37 BSC	
E1	.353	.357	8.97	9.07	e1	.040 BSC		1.02 BSC	
E2	.346	.350	8.79	8.89	e2	.224 BSC		5.69 BSC	
F	.025 BSC		0.64 BSC		e3	.150 BSC		3.81 BSC	
M	.600	----	15.24	----	r1	.063	.068	1.6	1.73
N	.270	----	6.86	----	aaa	.004		.10	

© FREESCALE SEMICONDUCTOR, INC. ALL RIGHTS RESERVED.		MECHANICAL OUTLINE		PRINT VERSION NOT TO SCALE	
TITLE: TO-272 WIDE BODY MULTI-LEAD		DOCUMENT NO: 98ARH99164A		REV: L	
		CASE NUMBER: 1329-09		13 MAR 2006	
		STANDARD: NON-JEDEC			

How to Reach Us:

Home Page:

www.freescale.com

E-mail:

support@freescale.com

USA/Europe or Locations Not Listed:

Freescale Semiconductor
Technical Information Center, CH370
1300 N. Alma School Road
Chandler, Arizona 85224
+1-800-521-6274 or +1-480-768-2130
support@freescale.com

Europe, Middle East, and Africa:

Freescale Halbleiter Deutschland GmbH
Technical Information Center
Schatzbogen 7
81829 Muenchen, Germany
+44 1296 380 456 (English)
+46 8 52200080 (English)
+49 89 92103 559 (German)
+33 1 69 35 48 48 (French)
support@freescale.com

Japan:

Freescale Semiconductor Japan Ltd.
Headquarters
ARCO Tower 15F
1-8-1, Shimo-Meguro, Meguro-ku,
Tokyo 153-0064
Japan
0120 191014 or +81 3 5437 9125
support.japan@freescale.com

Asia/Pacific:

Freescale Semiconductor Hong Kong Ltd.
Technical Information Center
2 Dai King Street
Tai Po Industrial Estate
Tai Po, N.T., Hong Kong
+800 2666 8080
support.asia@freescale.com

For Literature Requests Only:

Freescale Semiconductor Literature Distribution Center
P.O. Box 5405
Denver, Colorado 80217
1-800-441-2447 or 303-675-2140
Fax: 303-675-2150
LDCForFreescaleSemiconductor@hibbertgroup.com

Information in this document is provided solely to enable system and software implementers to use Freescale Semiconductor products. There are no express or implied copyright licenses granted hereunder to design or fabricate any integrated circuits or integrated circuits based on the information in this document.

Freescale Semiconductor reserves the right to make changes without further notice to any products herein. Freescale Semiconductor makes no warranty, representation or guarantee regarding the suitability of its products for any particular purpose, nor does Freescale Semiconductor assume any liability arising out of the application or use of any product or circuit, and specifically disclaims any and all liability, including without limitation consequential or incidental damages. "Typical" parameters that may be provided in Freescale Semiconductor data sheets and/or specifications can and do vary in different applications and actual performance may vary over time. All operating parameters, including "Typicals", must be validated for each customer application by customer's technical experts. Freescale Semiconductor does not convey any license under its patent rights nor the rights of others. Freescale Semiconductor products are not designed, intended, or authorized for use as components in systems intended for surgical implant into the body, or other applications intended to support or sustain life, or for any other application in which the failure of the Freescale Semiconductor product could create a situation where personal injury or death may occur. Should Buyer purchase or use Freescale Semiconductor products for any such unintended or unauthorized application, Buyer shall indemnify and hold Freescale Semiconductor and its officers, employees, subsidiaries, affiliates, and distributors harmless against all claims, costs, damages, and expenses, and reasonable attorney fees arising out of, directly or indirectly, any claim of personal injury or death associated with such unintended or unauthorized use, even if such claim alleges that Freescale Semiconductor was negligent regarding the design or manufacture of the part.

Freescale™ and the Freescale logo are trademarks of Freescale Semiconductor, Inc. All other product or service names are the property of their respective owners.

© Freescale Semiconductor, Inc. 2006. All rights reserved.

