

RoHS Compliant & Pb-Free Product
Package Style: QFN, 12-Pin, 3 x 3

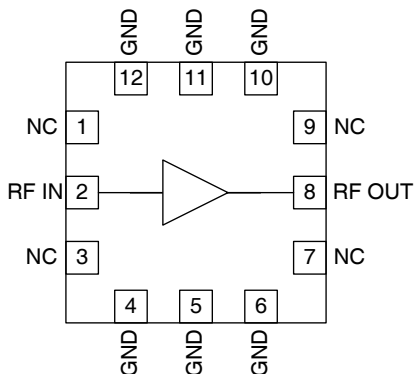


Features

- DC to >6000MHz Operation
- Internally Matched Input and Output
- 22dB Small Signal Gain
- +2.0dB Noise Figure
- +11.5dBm Output P1dB
- Footprint Compatible with Micro-X

Applications

- Basestation Applications
- Broadband, Low-Noise Gain Blocks
- IF or RF Buffer Amplifiers
- Driver Stage for Power Amplifiers
- Final PA for Low-Power Applications
- High Reliability Applications



Functional Block Diagram

Product Description

The RF3396 is a general purpose, low-cost RF amplifier IC. The device is manufactured on an advanced Gallium Arsenide Heterojunction Bipolar Transistor (HBT) process, and has been designed for use as an easily-cascadable 50Ω gain block. Applications include IF and RF amplification in wireless voice and data communication products operating in frequency bands up to 6000MHz. The device is self-contained with 50Ω input and output impedances and requires only two external DC-biasing elements to operate as specified. The device is designed for cost effective high reliability in a plastic package. The 3mmx3mm footprint is compatible with standard ceramic and plastic Micro-X packages.

Ordering Information

RF3396 General Purpose Amplifier
RF3396PCBA-41X Fully Assembled Evaluation Board

Optimum Technology Matching® Applied

- | | | | |
|--|--------------------------------------|-------------------------------------|-----------------------------------|
| <input checked="" type="checkbox"/> GaAs HBT | <input type="checkbox"/> SiGe BiCMOS | <input type="checkbox"/> GaAs pHEMT | <input type="checkbox"/> GaN HEMT |
| <input type="checkbox"/> GaAs MESFET | <input type="checkbox"/> Si BiCMOS | <input type="checkbox"/> Si CMOS | |
| <input type="checkbox"/> InGaP HBT | <input type="checkbox"/> SiGe HBT | <input type="checkbox"/> Si BJT | |

RF MICRO DEVICES®, RFMD®, Optimum Technology Matching®, Enabling Wireless Connectivity™, PowerStar®, POLARIS™ TOTAL RADIO™ and UltimateBlue™ are trademarks of RFMD, LLC. BLUETOOTH is a trademark owned by Bluetooth SIG, Inc., U.S.A. and licensed for use by RFMD. All other trade names, trademarks and registered trademarks are the property of their respective owners. ©2006, RF Micro Devices, Inc.

Absolute Maximum Ratings

Parameter	Rating	Unit
Input RF Power	+3	dBm
Operating Ambient Temperature	-40 to +85	°C
Storage Temperature	-60 to +150	°C
I _{CC}	40	mA



Caution! ESD sensitive device.

Exceeding any one or a combination of the Absolute Maximum Rating conditions may cause permanent damage to the device. Extended application of Absolute Maximum Rating conditions to the device may reduce device reliability. Specified typical performance or functional operation of the device under Absolute Maximum Rating conditions is not implied.

RoHS status based on EU Directive 2002/95/EC (at time of this document revision).

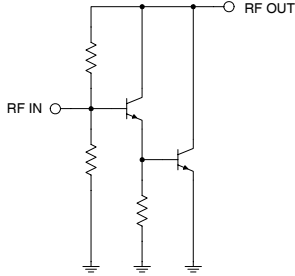
The information in this publication is believed to be accurate and reliable. However, no responsibility is assumed by RF Micro Devices, Inc. ("RFMD") for its use, nor for any infringement of patents, or other rights of third parties, resulting from its use. No license is granted by implication or otherwise under any patent or patent rights of RFMD. RFMD reserves the right to change component circuitry, recommended application circuitry and specifications at any time without prior notice.

Parameter	Specification			Unit	Condition
	Min.	Typ.	Max.		
Overall					T=25 °C, I _{CC} =35mA (See Note 1.)
Frequency Range		DC to >6000		MHz	
3dB Bandwidth		2		GHz	
Gain	21.0	22.7		dB	Freq = 500 MHz
	20.2	22.2	24.2	dB	Freq = 850 MHz
	17.8	19.8	21.8	dB	Freq = 2000 MHz
		17.4		dB	Freq = 3000 MHz
		16.0			Freq = 4000 MHz
		12.9			Freq = 6000 MHz
Noise Figure		2.0		dB	Freq = 2000 MHz
Input VSWR		<1.9:1			In a 50Ω system, DC to 6000 MHz
Output VSWR		<1.9:1			In a 50Ω system, DC to 3000 MHz
		<1.4:1			In a 50Ω system, 3000 MHz to 6000 MHz
Output IP ₃	+21.5	+23.5		dBm	Freq = 850 MHz
	+22.0	+24.0		dBm	Freq = 2000 MHz
Output P _{1dB}	+9.5	+11.5		dBm	Freq = 850 MHz
	+9.5	+11.5		dBm	Freq = 2000 MHz
Reverse Isolation		22.5		dB	Freq = 2000 MHz
Thermal					I _{CC} = 35 mA, P _{DISS} = 110 mW. (See Note 3.)
Theta _{JC}		335		°C/W	
Maximum Measured Junction Temperature at DC Bias Conditions		122		°C	T _{AMB} = +85 °C
Mean Time To Failures		17,635		years	T _{AMB} = +85 °C
Power Supply					With 22Ω bias resistor
Device Operating Voltage	3.3	3.4	3.5	V	At pin 8 with I _{CC} = 35 mA
	3.9	4.2	4.5	v	At evaluation board connector, I _{CC} = 35 mA
Operating Current		35	40	mA	See Note 2.

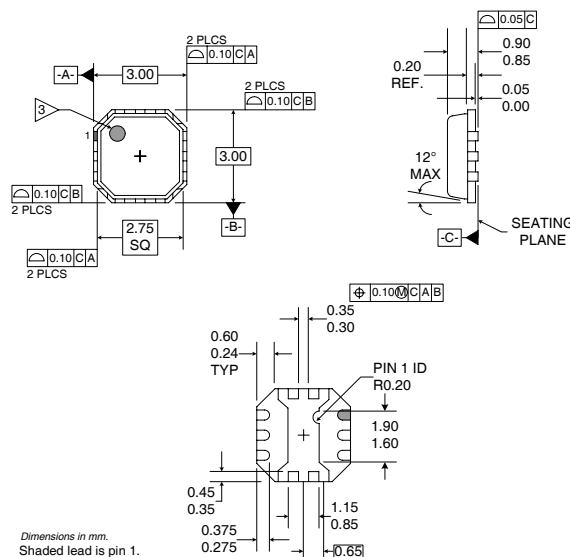
Note 1: All specification and characterization data has been gathered on standard FR-4 evaluation boards. These evaluation boards are not optimized for frequencies above 2.5GHz. Performance above 2.5GHz may improve if a high performance PCB is used.

Note 2: The RF3396 must be operated at or below 40mA in order to achieve the thermal performance listed above. While the RF3396 may be operated at higher bias currents, 35mA is the recommended bias to ensure the highest possible reliability and electrical performance.

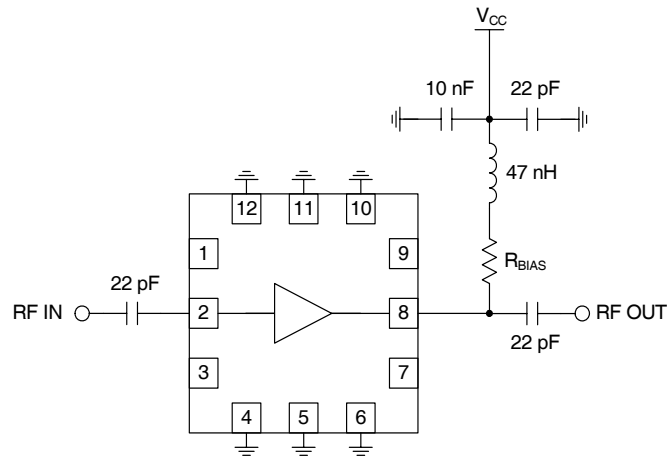
Note 3: Because of process variations from part to part, the current resulting from a fixed bias voltage will vary. As a result, caution should be used in designing fixed voltage bias circuits to ensure the worst case bias current does not exceed 40 mA over all intended operating conditions.

Pin	Function	Description	Interface Schematic
1	NC	No internal connections. It is not necessary to ground this pin.	
2	RF IN	RF input pin. This pin is NOT internally DC blocked. A DC blocking capacitor, suitable for the frequency of operation, should be used in most applications. DC coupling of the input is not allowed, because this will override the internal feedback loop and cause temperature instability.	
3	NC	No internal connections. It is not necessary to ground this pin.	
4	GND	Ground connection.	
5	GND	Ground connection.	
6	GND	Ground connection.	
7	NC	No internal connections. It is not necessary to ground this pin.	
8	RF OUT	RF output and bias pin. Biasing is accomplished with an external series resistor and choke inductor to V _{CC} . The resistor is selected to set the DC current into this pin to a desired level. The resistor value is determined by the following equation: $R = \frac{(V_{SUPPLY} - V_{DEVICE})}{I_{CC}}$ <p>Care should also be taken in the resistor selection to ensure that the current into the part never exceeds 40mA over the planned operating temperature. This means that a resistor between the supply and this pin is always required, even if a supply near 3.4V is available, to provide DC feedback to prevent thermal runaway. Because DC is present on this pin, a DC blocking capacitor, suitable for the frequency of operation, should be used in most applications. The supply side of the bias network should also be well bypassed.</p>	
9	NC	No internal connections. It is not necessary to ground this pin.	
10	GND	Ground connection.	
11	GND	Ground connection.	
12	GND	Ground connection.	
Die Flag	GND	Ground connection. To ensure best performance, avoid placing ground vias directly beneath the part.	

Package Drawing

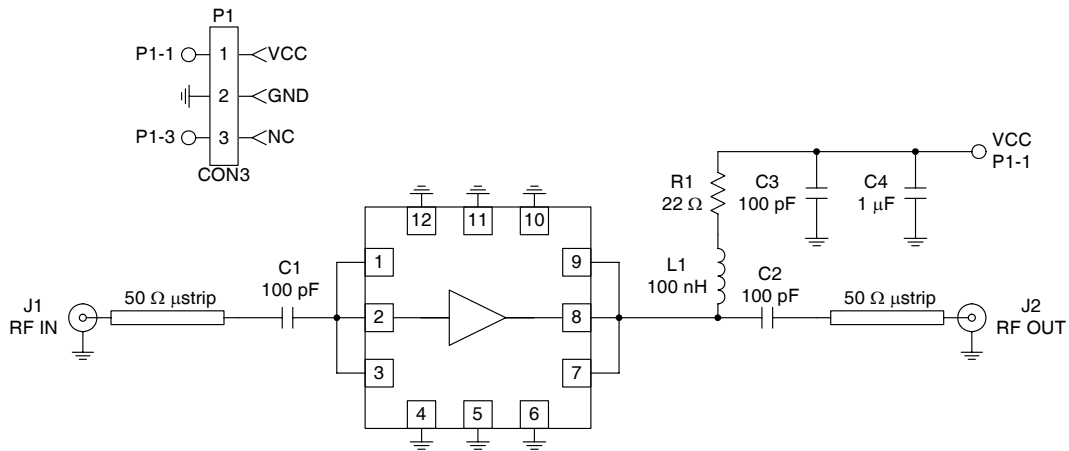


Application Schematic



Evaluation Board Schematic

(Download [Bill of Materials](http://www.rfmd.com) from www.rfmd.com.)



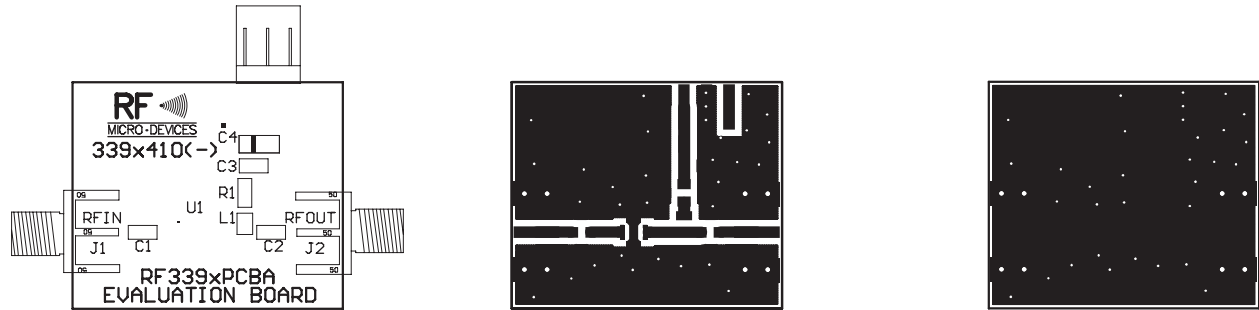
NOTE:

Evaluation board optimized for frequencies above 300 MHz and below 2.5 GHz. For operation below 300 MHz the value of inductor L1 and capacitors C1 and C2 should be increased.

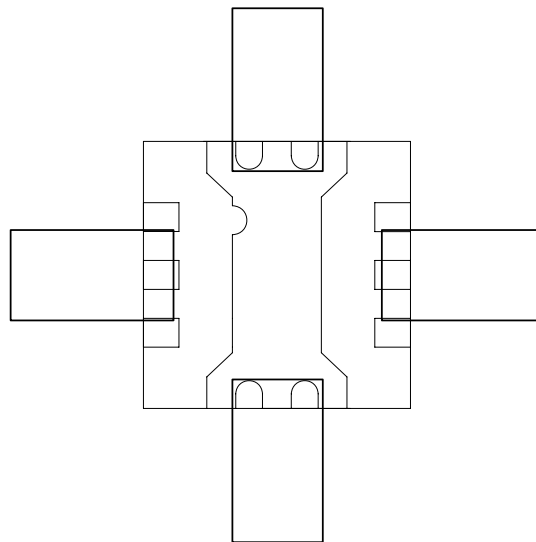
**Evaluation Board Layout
Board Size 1.195" x 1.000"**

Board Thickness 0.033", Board Material FR-4

Note: A small amount of ground inductance is required to achieve datasheet performance. The necessary inductance may be generated by ensuring that no ground vias are placed directly below the footprint of the part.



Overlay of Suggested Micro-X and 3mmx3mm Layouts Showing Compatibility



PCB Design Requirements

PCB Surface Finish

The PCB surface finish used for RFMD's qualification process is Electroless Nickel, immersion Gold. Typical thickness is 3µinch to 8µinch Gold over 180µinch Nickel.

PCB Land Pattern Recommendation

PCB land patterns are based on IPC-SM-782 standards when possible. The pad pattern shown has been developed and tested for optimized assembly at RFMD; however, it may require some modifications to address company specific assembly processes. The PCB land pattern has been developed to accommodate lead and package tolerances.

PCB Metal Land Mask Pattern

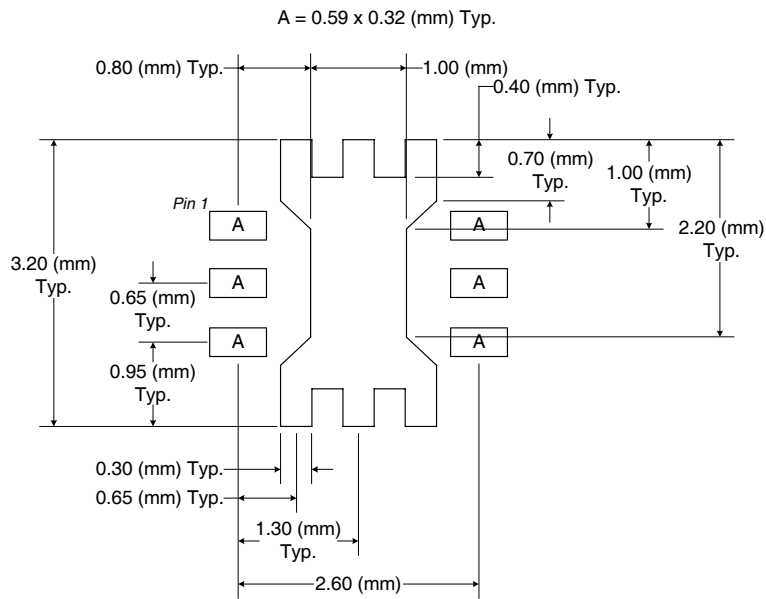
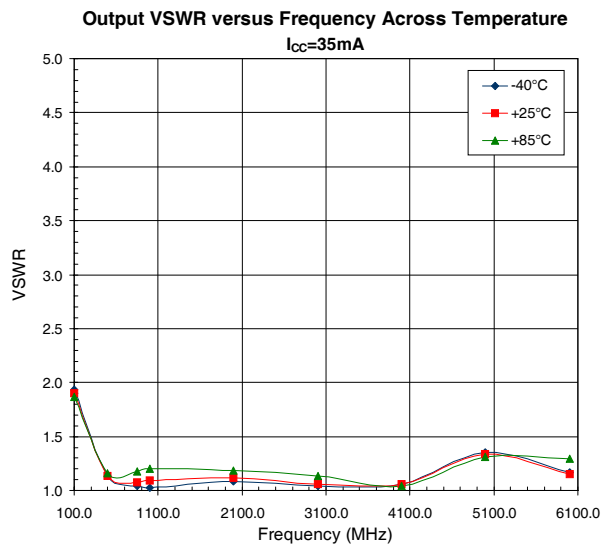
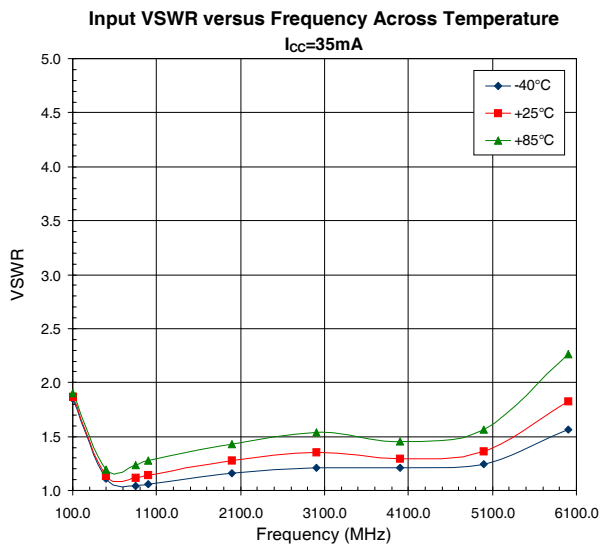
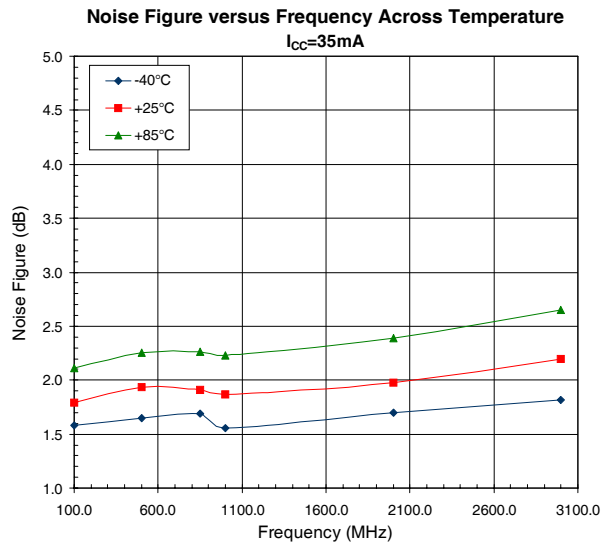
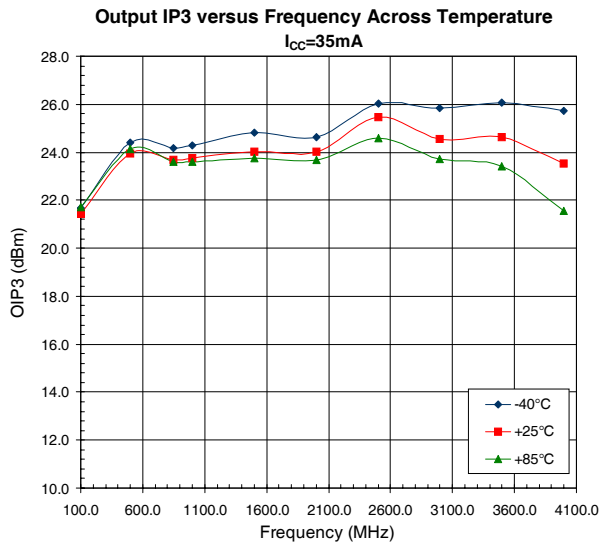
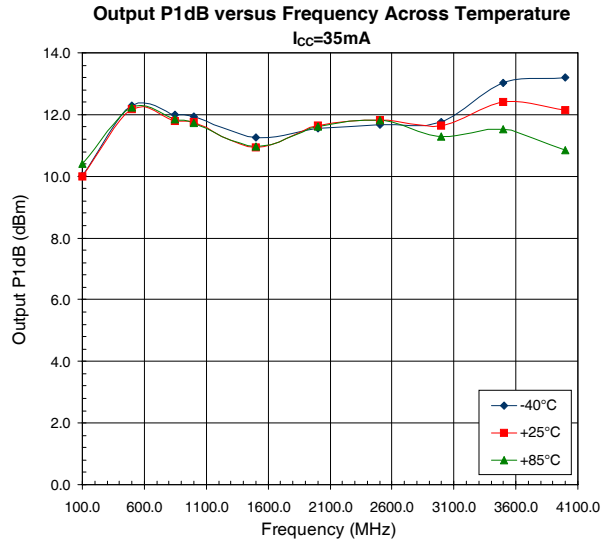
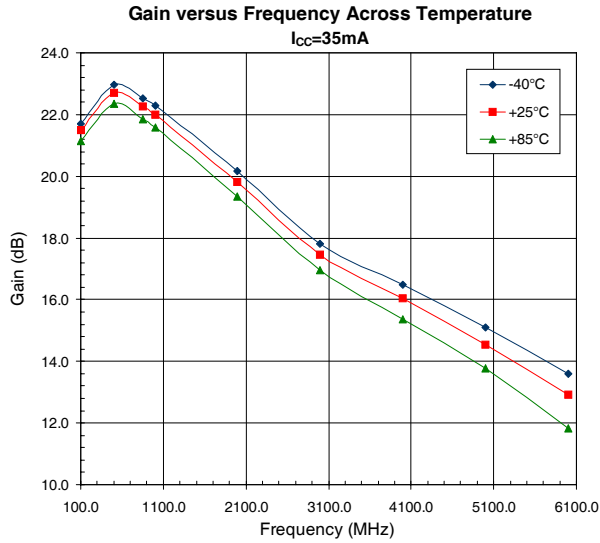
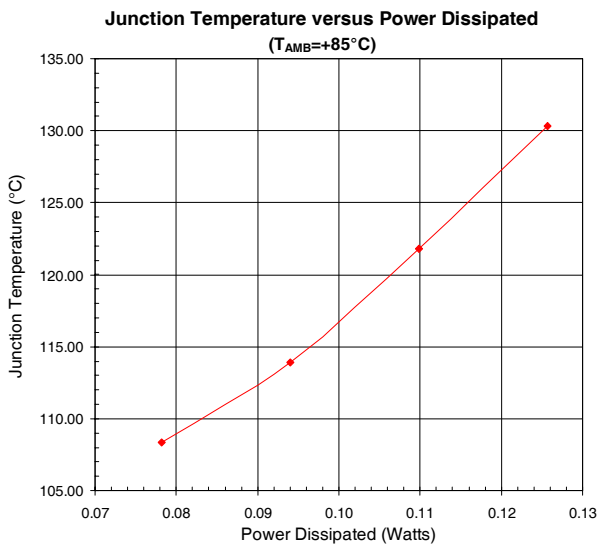
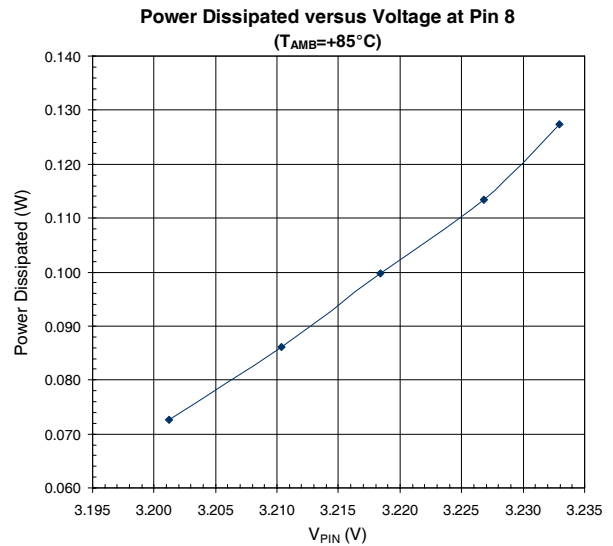
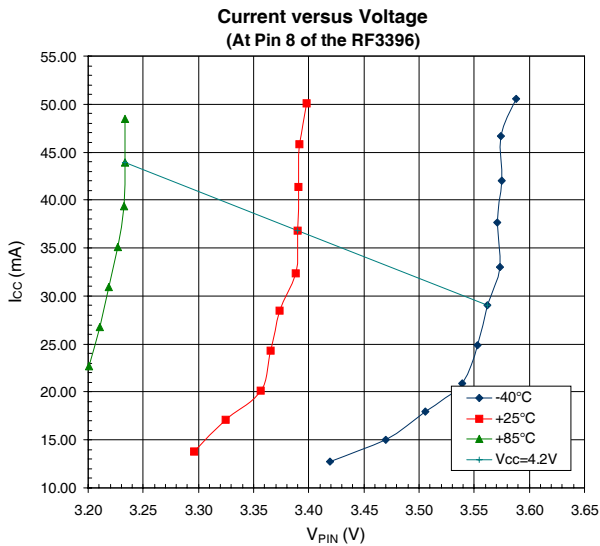
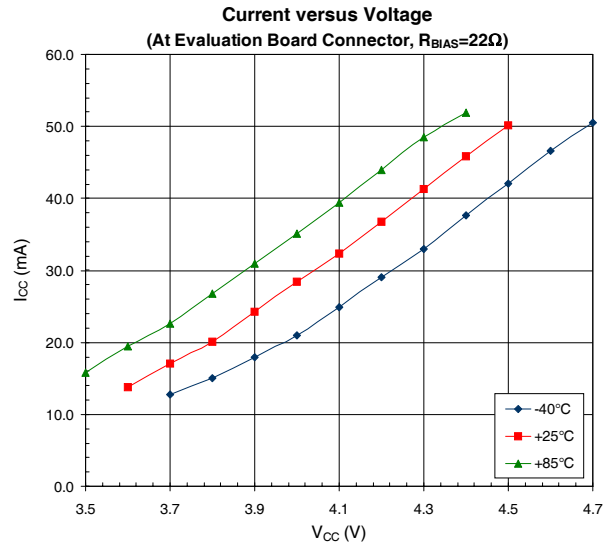
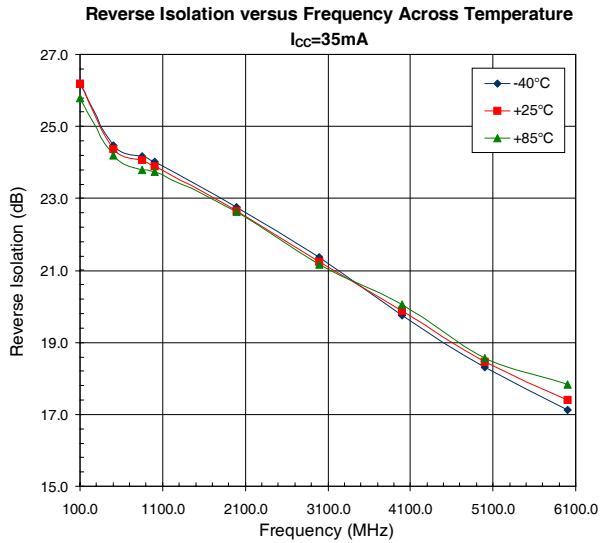


Figure 1. PCB Metal Land Pattern (Top View)





PCB Solder Mask Pattern

Liquid Photo-Imageable (LPI) solder mask is recommended. The solder mask footprint will match what is shown for the PCB metal land pattern with a 2mil to 3mil expansion to accommodate solder mask registration clearance around all pads. The center-grounding pad shall also have a solder mask clearance. Expansion of the pads to create solder mask clearance can be provided in the master data or requested from the PCB fabrication supplier.

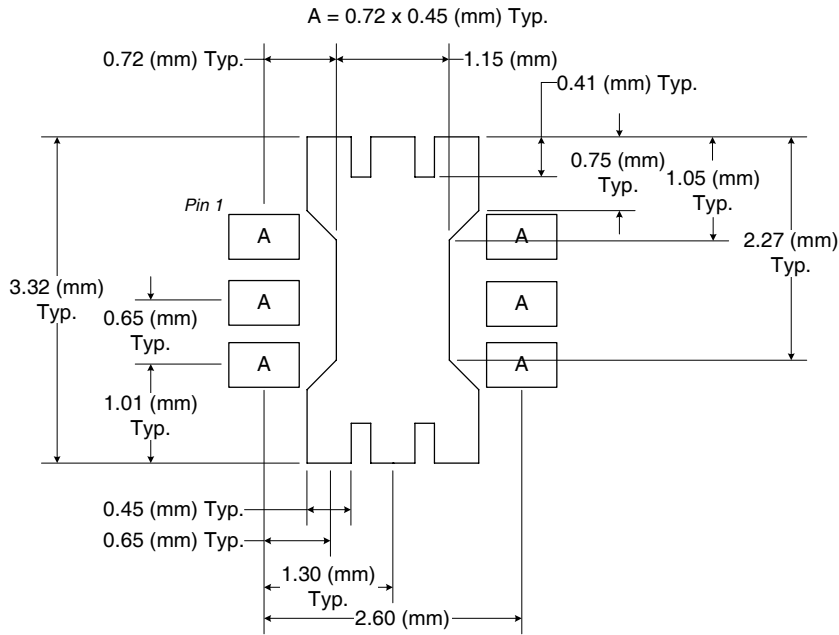


Figure 2. PCB Solder Mask (Top View)

Thermal Pad and Via Design

The PCB metal land pattern has been designed with a thermal pad that matches the exposed die paddle size on the bottom of the device.

Thermal vias are required in the PCB layout to effectively conduct heat away from the package. The via pattern has been designed to address thermal, power dissipation and electrical requirements of the device as well as accommodating routing strategies.

The via pattern used for the RFMD qualification is based on thru-hole vias with 0.203mm to 0.330mm finished hole size on a 0.5mm to 1.2mm grid pattern with 0.025mm plating on via walls. If micro vias are used in a design, it is suggested that the quantity of vias be increased by a 4:1 ratio to achieve similar results.

NOTE: A small amount of ground inductance is required to achieve data sheet performance. The necessary inductance may be generated by ensuring that no ground vias are placed directly below the footprint of the part.

