

FEATURES

Fixed gain of 15 dB
Operation from 50 MHz to 4.0 GHz
Highest dynamic range gain block
Input/output internally matched to 50 Ω
Integrated bias control circuit
OIP3 of 43.0 dBm at 900 MHz
P1dB of 19.0 dBm at 900 MHz
Noise figure of 3.7 dB at 900 MHz
Single 5 V power supply
Low quiescent current of 83 mA
Thermally efficient SOT-89 package
ESD rating of ± 1.5 kV (Class 1C)

GENERAL DESCRIPTION

The ADL5601 is a broadband, 15 dB linear amplifier that operates at frequencies up to 4.0 GHz. The device can be used in a wide variety of cellular, cable television (CATV), military, and instrumentation equipment.

The ADL5601 provides the highest dynamic range available from an internally matched gain block. This is accomplished by providing extremely low noise figures and very high OIP3 specifications simultaneously, across the entire 4.0 GHz frequency range.

The ADL5601 provides a gain of 15 dB, which is stable over frequency, temperature, and supply voltage, as well as from device to device. The device is internally matched to 50 Ω at the input and output, making the ADL5601 very easy to implement in a wide

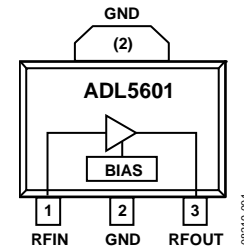
FUNCTIONAL BLOCK DIAGRAM


Figure 1.

variety of applications. Only input/output ac coupling capacitors, power supply decoupling capacitors, and an external inductor are required for operation.

The ADL5601 is fabricated on an InGaP heterojunction bipolar transistor (HBT) process and has an ESD rating of ± 1.5 kV (Class 1C). The device is available in a thermally efficient SOT-89 package.

The ADL5601 consumes 83 mA on a single 5 V supply and is fully specified for operation from -40°C to $+85^{\circ}\text{C}$.

A fully populated RoHS-compliant evaluation board is available.

Rev. 0

Information furnished by Analog Devices is believed to be accurate and reliable. However, no responsibility is assumed by Analog Devices for its use, nor for any infringements of patents or other rights of third parties that may result from its use. Specifications subject to change without notice. No license is granted by implication or otherwise under any patent or patent rights of Analog Devices. Trademarks and registered trademarks are the property of their respective owners.

TABLE OF CONTENTS

| | | | |
|--|---|------------------------------------|----|
| Features | 1 | Basic Connections | 11 |
| Functional Block Diagram | 1 | Soldering Information and | |
| General Description | 1 | Recommended PCB Land Pattern | 11 |
| Revision History | 2 | W-CDMA ACPR Performance | 12 |
| Specifications..... | 3 | Evaluation Board | 13 |
| Typical Scattering Parameters (S-Parameters) | 5 | Outline Dimensions | 14 |
| Absolute Maximum Ratings..... | 7 | Ordering Guide | 14 |
| ESD Caution..... | 7 | | |
| Pin Configuration and Function Descriptions..... | 8 | | |
| Typical Performance Characteristics | 9 | | |

REVISION HISTORY

9/09—Revision 0: Initial Version

SPECIFICATIONS

$V_{CC} = 5\text{ V}$ and $T_A = 25^\circ\text{C}$, unless otherwise noted.

Table 1.

| Parameter | Test Conditions/Comments | Min | Typ | Max | Unit |
|--------------------------------------|---|------|------------|------|------|
| OVERALL FUNCTION | | | | | |
| Frequency Range | | 50 | | 4000 | MHz |
| FREQUENCY = 50 MHz | | | | | |
| Gain | | | 15.6 | | dB |
| Output 1 dB Compression Point (P1dB) | | | 16.3 | | dBm |
| Output Third-Order Intercept (OIP3) | $\Delta f = 1\text{ MHz}$, output power (P_{OUT}) = 0 dBm per tone | | 34.0 | | dBm |
| Second Harmonic | $P_{OUT} = 0\text{ dBm}$ | | -50.7 | | dBc |
| Third Harmonic | $P_{OUT} = 0\text{ dBm}$ | | -78.7 | | dBc |
| Noise Figure | | | 3.9 | | dB |
| FREQUENCY = 140 MHz | | | | | |
| Gain | | | 15.4 | | dB |
| vs. Frequency | $\pm 50\text{ MHz}$ | | ± 0.05 | | dB |
| vs. Temperature | $-40^\circ\text{C} \leq T_A \leq +85^\circ\text{C}$ | | ± 0.19 | | dB |
| vs. Supply Voltage | 4.75 V to 5.25 V | | ± 0.02 | | dB |
| Output 1 dB Compression Point (P1dB) | | | 18.8 | | dBm |
| Output Third-Order Intercept (OIP3) | $\Delta f = 1\text{ MHz}$, output power (P_{OUT}) = 0 dBm per tone | | 34.7 | | dBm |
| Second Harmonic | $P_{OUT} = 0\text{ dBm}$ | | -51.1 | | dBc |
| Third Harmonic | $P_{OUT} = 0\text{ dBm}$ | | -77.3 | | dBc |
| Noise Figure | | | 3.8 | | dB |
| FREQUENCY = 350 MHz | | | | | |
| Gain | | | 15.2 | | dB |
| vs. Frequency | $\pm 50\text{ MHz}$ | | ± 0.02 | | dB |
| vs. Temperature | $-40^\circ\text{C} \leq T_A \leq +85^\circ\text{C}$ | | ± 0.20 | | dB |
| vs. Supply Voltage | 4.75 V to 5.25 V | | ± 0.02 | | dB |
| Output 1 dB Compression Point (P1dB) | | | 19.1 | | dBm |
| Output Third-Order Intercept (OIP3) | $\Delta f = 1\text{ MHz}$, output power (P_{OUT}) = 0 dBm per tone | | 35.8 | | dBm |
| Second Harmonic | $P_{OUT} = 0\text{ dBm}$ | | -53.8 | | dBc |
| Third Harmonic | $P_{OUT} = 0\text{ dBm}$ | | -82.9 | | dBc |
| Noise Figure | | | 3.8 | | dB |
| FREQUENCY = 700 MHz | | | | | |
| Gain | | 14.3 | 15.2 | 16.5 | dB |
| vs. Frequency | $\pm 50\text{ MHz}$ | | ± 0.01 | | dB |
| vs. Temperature | $-40^\circ\text{C} \leq T_A \leq +85^\circ\text{C}$ | | ± 0.21 | | dB |
| vs. Supply Voltage | 4.75 V to 5.25 V | | ± 0.02 | | dB |
| Output 1 dB Compression Point (P1dB) | | 18.0 | 19.0 | | dBm |
| Output Third-Order Intercept (OIP3) | $\Delta f = 1\text{ MHz}$, output power (P_{OUT}) = 0 dBm per tone | | 40.7 | | dBm |
| Second Harmonic | $P_{OUT} = 0\text{ dBm}$ | | -55.6 | | dBc |
| Third Harmonic | $P_{OUT} = 0\text{ dBm}$ | | -77.9 | | dBc |
| Noise Figure | | | 3.8 | | dB |

ADL5601

| Parameter | Test Conditions/Comments | Min | Typ | Max | Unit |
|--------------------------------------|---|------|-------|------|------|
| FREQUENCY = 900 MHz | | | | | |
| Gain | | 14.3 | 15.3 | 16.5 | dB |
| vs. Frequency | ±50 MHz | | ±0.01 | | dB |
| vs. Temperature | −40°C ≤ T _A ≤ +85°C | | ±0.22 | | dB |
| vs. Supply Voltage | 4.75 V to 5.25 V | | ±0.02 | | dB |
| Output 1 dB Compression Point (P1dB) | | 18.0 | 19.0 | | dBm |
| Output Third-Order Intercept (OIP3) | Δf = 1 MHz, output power (P _{OUT}) = 0 dBm per tone | | 43.0 | | dBm |
| Second Harmonic | P _{OUT} = 0 dBm | | −57.6 | | dBc |
| Third Harmonic | P _{OUT} = 0 dBm | | −78.7 | | dBc |
| Noise Figure | | | 3.7 | | dB |
| FREQUENCY = 2000 MHz | | | | | |
| Gain | | | 14.2 | | dB |
| vs. Frequency | ±50 MHz | | ±0.08 | | dB |
| vs. Temperature | −40°C ≤ T _A ≤ +85°C | | ±0.27 | | dB |
| vs. Supply Voltage | 4.75 V to 5.25 V | | ±0.03 | | dB |
| Output 1 dB Compression Point (P1dB) | | | 17.5 | | dBm |
| Output Third-Order Intercept (OIP3) | Δf = 1 MHz, output power (P _{OUT}) = 0 dBm per tone | | 34.2 | | dBm |
| Second Harmonic | P _{OUT} = 0 dBm | | −41.9 | | dBc |
| Third Harmonic | P _{OUT} = 0 dBm | | −67.3 | | dBc |
| Noise Figure | | | 4.5 | | dB |
| FREQUENCY = 2600 MHz | | | | | |
| Gain | | | 13.4 | | dB |
| vs. Frequency | ±50 MHz | | ±0.04 | | dB |
| vs. Temperature | −40°C ≤ T _A ≤ +85°C | | ±0.20 | | dB |
| vs. Supply Voltage | 4.75 V to 5.25 V | | ±0.04 | | dB |
| Output 1 dB Compression Point (P1dB) | | | 16.0 | | dBm |
| Output Third-Order Intercept (OIP3) | Δf = 1 MHz, output power (P _{OUT}) = 0 dBm per tone | | 30.7 | | dBm |
| Second Harmonic | P _{OUT} = 0 dBm | | −46.4 | | dBc |
| Third Harmonic | P _{OUT} = 0 dBm | | −65.4 | | dBc |
| Noise Figure | | | 4.7 | | dB |
| FREQUENCY = 3500 MHz | | | | | |
| Gain | | | 12.9 | | dB |
| vs. Frequency | ±50 MHz | | ±0.06 | | dB |
| vs. Temperature | −40°C ≤ T _A ≤ +85°C | | ±0.32 | | dB |
| vs. Supply Voltage | 4.75 V to 5.25 V | | ±0.05 | | dB |
| Output 1 dB Compression Point (P1dB) | | | 14.2 | | dBm |
| Output Third-Order Intercept (OIP3) | Δf = 1 MHz, output power (P _{OUT}) = 0 dBm per tone | | 26.7 | | dBm |
| Second Harmonic | P _{OUT} = 0 dBm | | −41.0 | | dBc |
| Third Harmonic | P _{OUT} = 0 dBm | | −62.4 | | dBc |
| Noise Figure | | | 5.5 | | dB |
| FREQUENCY = 4000 MHz | | | | | |
| Gain | | | 12.1 | | dB |
| vs. Frequency | ±50 MHz | | ±0.11 | | dB |
| vs. Temperature | −40°C ≤ T _A ≤ +85°C | | ±0.50 | | dB |
| vs. Supply Voltage | 4.75 V to 5.25 V | | ±0.05 | | dB |
| Output 1 dB Compression Point (P1dB) | | | 12.7 | | dBm |
| Output Third-Order Intercept (OIP3) | Δf = 1 MHz, output power (P _{OUT}) = 0 dBm per tone | | 24.7 | | dBm |
| Second Harmonic | P _{OUT} = 0 dBm | | −41.0 | | dBc |
| Third Harmonic | P _{OUT} = 0 dBm | | −59.7 | | dBc |
| Noise Figure | | | 6.1 | | dB |

| Parameter | Test Conditions/Comments | Min | Typ | Max | Unit |
|-----------------------------------|--------------------------------|-----|------|-----|------|
| POWER INTERFACE | VCC | 4.5 | 5.0 | 5.5 | V |
| Supply Voltage (V _{CC}) | | | 83 | 100 | mA |
| Supply Current vs. Temperature | -40°C ≤ T _A ≤ +85°C | | ±2.3 | | mA |
| Power Dissipation | V _{CC} = 5 V | | 0.42 | | W |

TYPICAL SCATTERING PARAMETERS (S-PARAMETERS)

V_{CC} = 5 V, T_A = 25°C, and the effects of the evaluation board have been deembedded up to the pins of the device.

Table 2.

| Frequency (MHz) | S11 | | S21 | | S12 | | S22 | |
|-----------------|----------------|-----------|----------------|-----------|----------------|-----------|----------------|-----------|
| | Magnitude (dB) | Angle (°) | Magnitude (dB) | Angle (°) | Magnitude (dB) | Angle (°) | Magnitude (dB) | Angle (°) |
| 50 | -20.65 | -144.57 | +15.59 | +161.69 | -19.76 | -7.97 | -16.61 | -168.75 |
| 100 | -25.05 | +175.09 | +15.34 | +149.77 | -19.85 | -24.47 | -16.06 | +164.97 |
| 150 | -25.57 | +149.73 | +15.27 | +136.48 | -19.89 | -38.84 | -15.85 | +145.84 |
| 200 | -24.93 | +130.36 | +15.20 | +122.75 | -19.92 | -52.66 | -15.63 | +128.22 |
| 250 | -24.24 | +114.36 | +15.14 | +108.91 | -19.96 | -66.22 | -15.49 | +112.53 |
| 300 | -23.29 | +101.24 | +15.07 | +95.06 | -19.99 | -79.64 | -15.40 | +98.52 |
| 350 | -22.53 | +88.38 | +15.02 | +81.26 | -20.03 | -92.91 | -15.35 | +84.79 |
| 400 | -22.07 | +76.45 | +14.97 | +67.39 | -20.05 | -106.12 | -15.38 | +71.26 |
| 450 | -21.78 | +66.13 | +14.94 | +53.57 | -20.07 | -119.35 | -15.48 | +58.84 |
| 500 | -21.51 | +55.91 | +14.92 | +39.81 | -20.08 | -132.53 | -15.68 | +46.57 |
| 550 | -21.57 | +46.37 | +14.90 | +25.97 | -20.09 | -145.77 | -16.07 | +34.25 |
| 600 | -21.78 | +38.11 | +14.89 | +12.17 | -20.10 | -159.04 | -16.65 | +22.42 |
| 650 | -22.13 | +30.61 | +14.89 | -1.54 | -20.10 | -172.37 | -17.41 | +10.91 |
| 700 | -22.68 | +23.62 | +14.88 | -15.54 | -20.11 | +174.38 | -18.36 | -0.29 |
| 750 | -23.43 | +18.47 | +14.89 | -29.41 | -20.11 | +161.06 | -19.65 | -10.39 |
| 800 | -24.35 | +16.37 | +14.89 | -43.49 | -20.11 | +147.71 | -21.34 | -18.60 |
| 850 | -25.29 | +16.28 | +14.89 | -57.51 | -20.12 | +134.31 | -23.41 | -25.16 |
| 900 | -25.88 | +20.10 | +14.88 | -71.67 | -20.13 | +120.86 | -25.86 | -26.32 |
| 950 | -25.90 | +25.78 | +14.87 | -85.39 | -20.14 | +107.34 | -28.12 | -18.10 |
| 1000 | -25.31 | +29.70 | +14.87 | -99.48 | -20.16 | +93.84 | -28.73 | -1.68 |
| 1050 | -24.16 | +29.42 | +14.86 | -113.64 | -20.18 | +80.32 | -27.11 | +8.91 |
| 1100 | -23.38 | +25.45 | +14.83 | -127.83 | -20.22 | +66.77 | -25.16 | +5.98 |
| 1150 | -22.70 | +20.88 | +14.81 | -141.81 | -20.25 | +53.39 | -23.33 | +1.75 |
| 1200 | -22.10 | +13.43 | +14.80 | -155.93 | -20.27 | +39.79 | -22.27 | -8.80 |
| 1250 | -21.81 | +4.90 | +14.78 | -170.15 | -20.31 | +26.19 | -21.38 | -21.30 |
| 1300 | -21.78 | -4.74 | +14.75 | +175.70 | -20.35 | +12.56 | -20.75 | -35.07 |
| 1350 | -21.96 | -15.31 | +14.72 | +161.57 | -20.40 | -1.10 | -20.35 | -50.07 |
| 1400 | -22.31 | -27.46 | +14.68 | +147.40 | -20.44 | -14.74 | -20.06 | -66.34 |
| 1450 | -22.92 | -40.13 | +14.64 | +133.17 | -20.50 | -28.45 | -19.80 | -83.25 |
| 1500 | -23.53 | -55.61 | +14.60 | +118.79 | -20.56 | -42.17 | -19.60 | -100.18 |
| 1550 | -24.04 | -74.40 | +14.56 | +104.52 | -20.62 | -55.96 | -19.29 | -117.80 |
| 1600 | -24.50 | -95.46 | +14.49 | +90.23 | -20.70 | -69.82 | -18.83 | -135.14 |
| 1650 | -24.13 | -118.14 | +14.43 | +75.97 | -20.79 | -83.66 | -18.22 | -150.53 |
| 1700 | -23.01 | -140.97 | +14.37 | +61.50 | -20.89 | -97.51 | -17.57 | -164.65 |
| 1750 | -21.46 | -161.36 | +14.27 | +47.04 | -21.00 | -111.39 | -16.78 | -177.64 |
| 1800 | -19.67 | -178.55 | +14.18 | +32.52 | -21.12 | -125.37 | -15.91 | +170.73 |
| 1850 | -17.73 | +167.17 | +14.07 | +18.07 | -21.26 | -139.35 | -14.91 | +160.24 |
| 1900 | -15.95 | +154.24 | +13.92 | +3.63 | -21.42 | -153.36 | -13.88 | +150.20 |
| 1950 | -14.26 | +141.96 | +13.77 | -10.89 | -21.60 | -167.35 | -12.82 | +140.45 |
| 2000 | -12.72 | +130.33 | +13.60 | -25.40 | -21.81 | +178.67 | -11.79 | +130.63 |
| 2050 | -11.36 | +119.00 | +13.39 | -39.85 | -22.05 | +164.79 | -10.77 | +120.32 |

ADL5601

| Frequency (MHz) | S11 | | S21 | | S12 | | S22 | |
|-----------------|----------------|-----------|----------------|-----------|----------------|-----------|----------------|-----------|
| | Magnitude (dB) | Angle (°) | Magnitude (dB) | Angle (°) | Magnitude (dB) | Angle (°) | Magnitude (dB) | Angle (°) |
| 2100 | -10.11 | +107.84 | +13.16 | -54.15 | -22.31 | +150.95 | -9.78 | +109.99 |
| 2150 | -9.04 | +96.61 | +12.90 | -68.23 | -22.60 | +137.28 | -8.88 | +99.58 |
| 2200 | -8.12 | +85.63 | +12.63 | -82.16 | -22.91 | +123.82 | -8.12 | +88.80 |
| 2250 | -7.33 | +74.68 | +12.34 | -95.90 | -23.24 | +110.57 | -7.45 | +77.69 |
| 2300 | -6.66 | +63.86 | +12.04 | -109.35 | -23.59 | +97.61 | -6.85 | +66.77 |
| 2350 | -6.11 | +53.33 | +11.75 | -122.46 | -23.92 | +84.90 | -6.37 | +55.88 |
| 2400 | -5.65 | +42.82 | +11.46 | -135.36 | -24.25 | +72.46 | -6.00 | +44.86 |
| 2450 | -5.28 | +32.51 | +11.18 | -147.97 | -24.57 | +60.24 | -5.68 | +33.86 |
| 2500 | -5.00 | +22.51 | +10.94 | -160.34 | -24.86 | +48.34 | -5.44 | +23.12 |
| 2550 | -4.78 | +12.49 | +10.73 | -172.61 | -25.12 | +36.64 | -5.29 | +12.46 |
| 2600 | -4.64 | +2.62 | +10.56 | +175.37 | -25.33 | +25.08 | -5.19 | +1.65 |
| 2650 | -4.54 | -7.06 | +10.43 | +163.51 | -25.52 | +13.55 | -5.13 | -9.06 |
| 2700 | -4.50 | -16.80 | +10.35 | +151.65 | -25.66 | +2.20 | -5.13 | -19.67 |
| 2750 | -4.52 | -26.55 | +10.31 | +139.80 | -25.74 | -9.14 | -5.19 | -30.41 |
| 2800 | -4.60 | -36.24 | +10.32 | +127.87 | -25.78 | -20.59 | -5.27 | -41.23 |
| 2850 | -4.72 | -46.09 | +10.37 | +115.83 | -25.79 | -32.13 | -5.40 | -52.01 |
| 2900 | -4.92 | -56.14 | +10.47 | +103.58 | -25.75 | -43.77 | -5.60 | -62.93 |
| 2950 | -5.18 | -66.18 | +10.60 | +91.16 | -25.67 | -55.71 | -5.86 | -74.10 |
| 3000 | -5.52 | -76.58 | +10.76 | +78.44 | -25.57 | -67.81 | -6.16 | -85.27 |
| 3050 | -5.95 | -87.31 | +10.96 | +65.65 | -25.45 | -80.30 | -6.57 | -96.63 |
| 3100 | -6.50 | -98.20 | +11.16 | +52.38 | -25.30 | -93.05 | -7.07 | -108.36 |
| 3150 | -7.17 | -109.56 | +11.37 | +38.77 | -25.16 | -106.14 | -7.65 | -120.33 |
| 3200 | -7.96 | -121.53 | +11.59 | +24.80 | -25.03 | -119.49 | -8.35 | -132.41 |
| 3250 | -8.95 | -134.08 | +11.77 | +10.48 | -24.91 | -133.23 | -9.19 | -144.97 |
| 3300 | -10.11 | -147.58 | +11.94 | -4.10 | -24.71 | -148.47 | -10.19 | -157.59 |
| 3350 | -11.43 | -162.30 | +12.09 | -18.93 | -24.64 | -162.78 | -11.23 | -171.07 |
| 3400 | -12.93 | -178.72 | +12.18 | -34.00 | -24.61 | -177.32 | -12.44 | +174.45 |
| 3450 | -14.51 | +161.78 | +12.24 | -49.17 | -24.63 | +168.07 | -13.64 | +158.38 |
| 3500 | -15.96 | +138.82 | +12.26 | -64.42 | -24.69 | +153.27 | -14.74 | +140.90 |
| 3550 | -16.86 | +111.84 | +12.24 | -79.75 | -24.80 | +138.48 | -15.67 | +121.24 |
| 3600 | -16.83 | +83.89 | +12.17 | -95.04 | -24.97 | +123.67 | -16.20 | +98.98 |
| 3650 | -15.98 | +58.24 | +12.06 | -110.33 | -25.15 | +108.97 | -15.98 | +76.14 |
| 3700 | -14.75 | +36.92 | +11.92 | -125.55 | -25.39 | +94.34 | -15.33 | +55.10 |
| 3750 | -13.43 | +18.94 | +11.76 | -140.74 | -25.66 | +79.90 | -14.38 | +35.05 |
| 3800 | -12.23 | +3.37 | +11.54 | -155.80 | -25.97 | +65.42 | -13.18 | +17.14 |
| 3850 | -11.21 | -10.83 | +11.31 | -170.64 | -26.33 | +51.35 | -12.03 | +1.60 |
| 3900 | -10.32 | -24.29 | +11.05 | +174.74 | -26.71 | +37.49 | -11.04 | -12.99 |
| 3950 | -9.59 | -37.18 | +10.78 | +160.27 | -27.07 | +23.89 | -10.13 | -27.31 |
| 4000 | -8.99 | -49.64 | +10.49 | +146.04 | -27.43 | +10.62 | -9.28 | -40.73 |

ABSOLUTE MAXIMUM RATINGS

Table 3.

| Parameter | Rating |
|--|-----------------|
| Supply Voltage, V_{CC} | 6.5 V |
| Input Power (Referred to 50 Ω) | 16 dBm |
| Internal Power Dissipation (Paddle Soldered) | 600 mW |
| θ_{JA} (Junction to Air) | 30.7°C/W |
| θ_{JC} (Junction to Paddle) | 5.0°C/W |
| Maximum Junction Temperature | 150°C |
| Lead Temperature (Soldering, 60 sec) | 240°C |
| Operating Temperature Range | -40°C to +85°C |
| Storage Temperature Range | -65°C to +150°C |

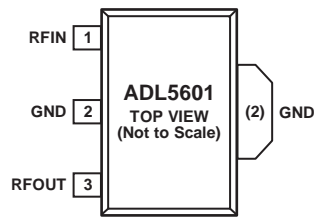
Stresses above those listed under Absolute Maximum Ratings may cause permanent damage to the device. This is a stress rating only; functional operation of the device at these or any other conditions above those indicated in the operational section of this specification is not implied. Exposure to absolute maximum rating conditions for extended periods may affect device reliability.

ESD CAUTION



ESD (electrostatic discharge) sensitive device. Charged devices and circuit boards can discharge without detection. Although this product features patented or proprietary protection circuitry, damage may occur on devices subjected to high energy ESD. Therefore, proper ESD precautions should be taken to avoid performance degradation or loss of functionality.

PIN CONFIGURATION AND FUNCTION DESCRIPTIONS



NOTES
 1. THE EXPOSED PADDLE IS INTERNALLY CONNECTED TO GND AND MUST BE SOLDERED TO A LOW IMPEDANCE GROUND PLANE.

08219-002

Figure 2. Pin Configuration

Table 4. Pin Function Descriptions

| Pin No. | Mnemonic | Description |
|---------|----------------|---|
| 1 | RFIN | RF Input. This pin requires a dc blocking capacitor. |
| 2 | GND | Ground. Connect this pin to a low impedance ground plane. |
| 3 | RFOUT | RF Output and Supply Voltage. A dc bias is provided to this pin through an inductor that is connected to the external power supply. The RF path requires a dc blocking capacitor. |
| (2) | Exposed Paddle | Exposed Paddle. The exposed paddle is internally connected to GND and must be soldered to a low impedance ground plane. |

TYPICAL PERFORMANCE CHARACTERISTICS

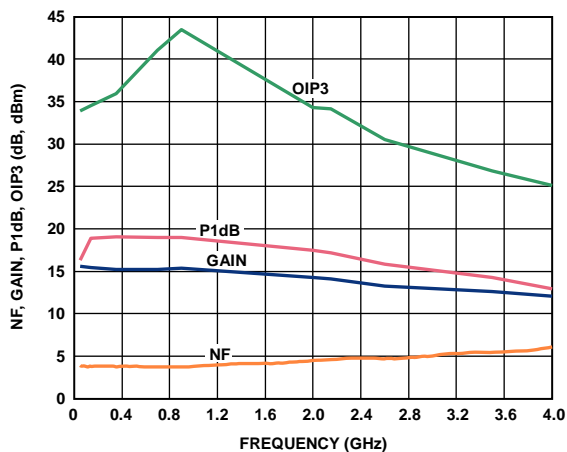


Figure 3. Noise Figure, Gain, P1dB, and OIP3 vs. Frequency

08219-020

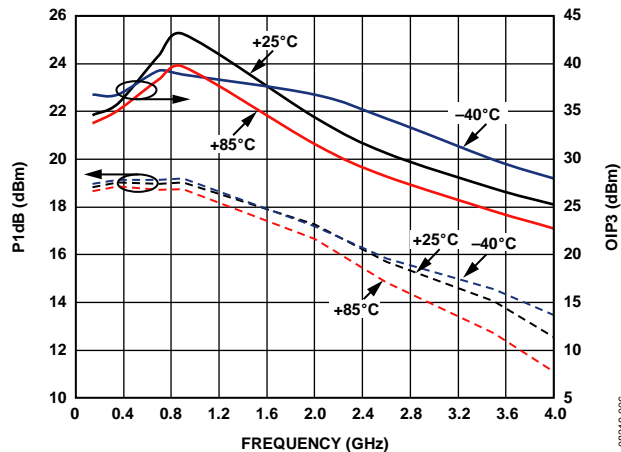


Figure 6. P1dB and OIP3 vs. Frequency and Temperature

08219-006

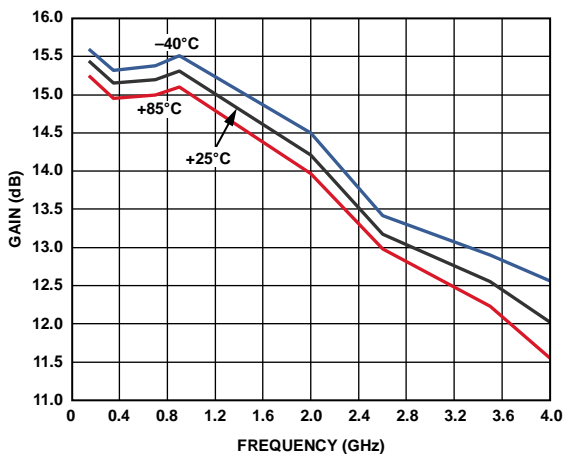


Figure 4. Gain vs. Frequency and Temperature

08219-004

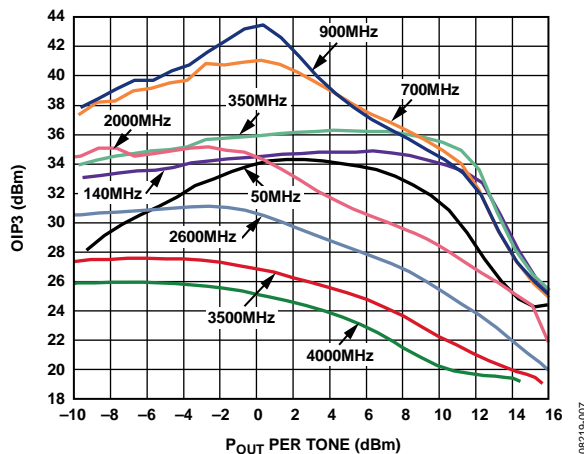


Figure 7. OIP3 vs. Output Power (P_{OUT}) and Frequency

08219-007

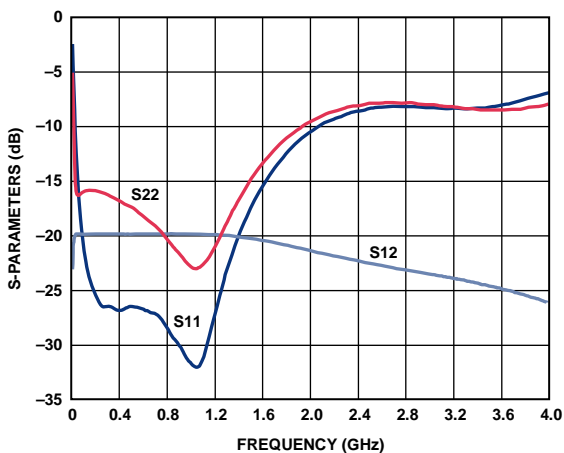


Figure 5. Input Return Loss (S11), Output Return Loss (S22), and Reverse Isolation (S12) vs. Frequency

08219-021

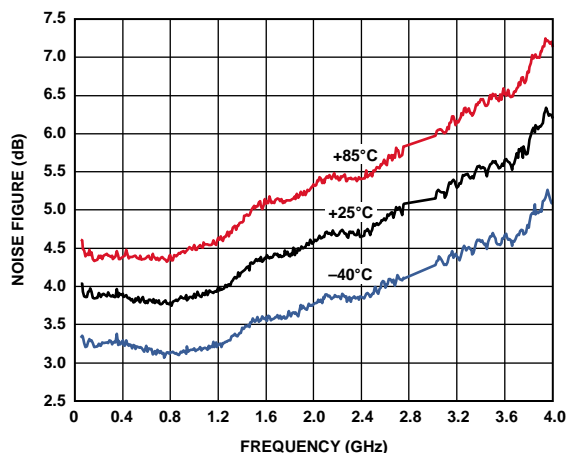


Figure 8. Noise Figure vs. Frequency and Temperature

08219-008

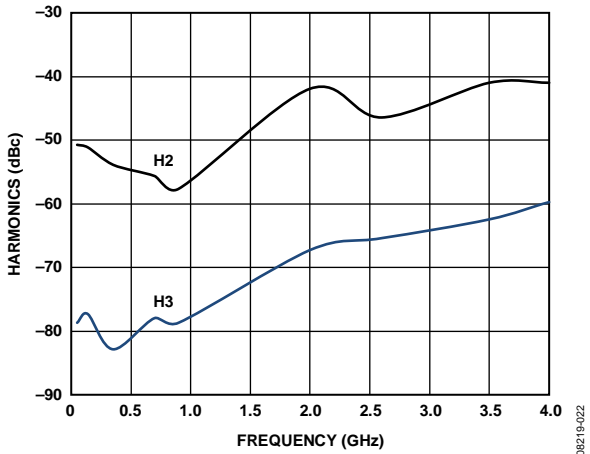


Figure 9. Single-Tone Harmonics vs. Frequency, $P_{OUT} = 0$ dBm

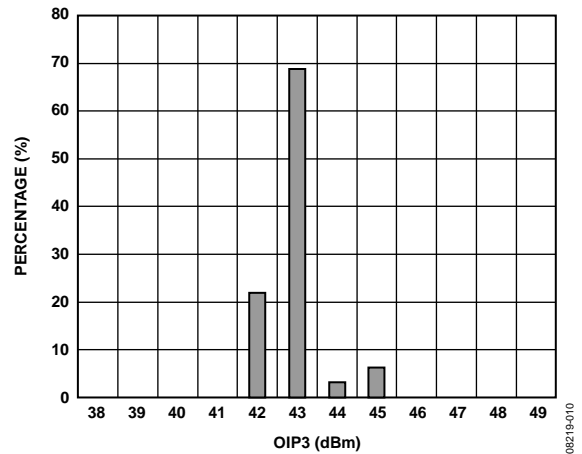


Figure 12. OIP3 Distribution at 900 MHz, $P_{OUT} = 0$ dBm

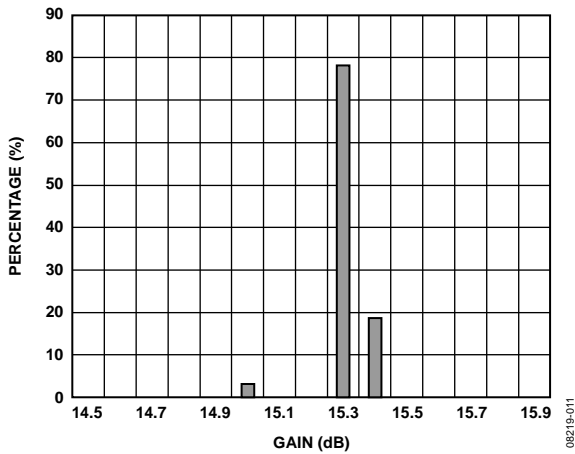


Figure 10. Gain Distribution at 900 MHz

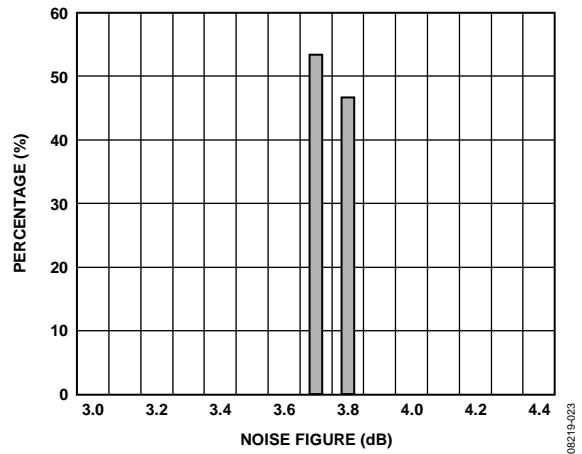


Figure 13. Noise Figure Distribution at 900 MHz

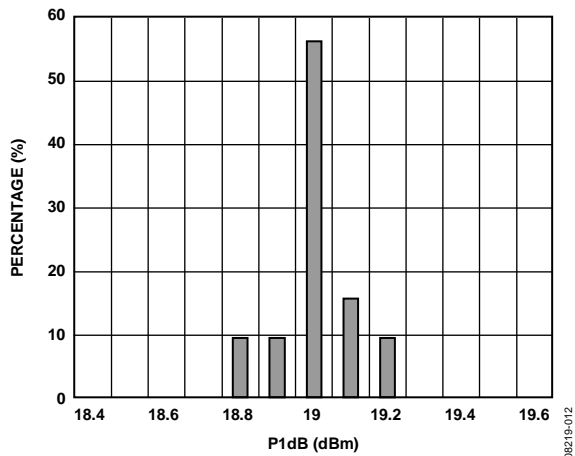


Figure 11. P1dB Distribution at 900 MHz

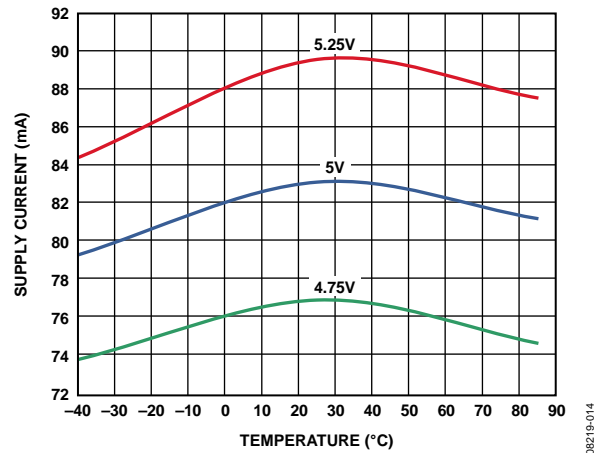


Figure 14. Supply Current vs. Temperature

BASIC CONNECTIONS

The basic connections for operating the ADL5601 are shown in Figure 15. Recommended components are listed in Table 5. The input and output should be ac-coupled with appropriately sized capacitors (the device characterization was performed with 0.1 μF capacitors). A 5 V dc bias is supplied to the amplifier through the bias inductor connected to RFOUT (Pin 3). The bias voltage should be decoupled using a 1 μF capacitor, a 1.2 nF capacitor, and a 68 pF capacitor.

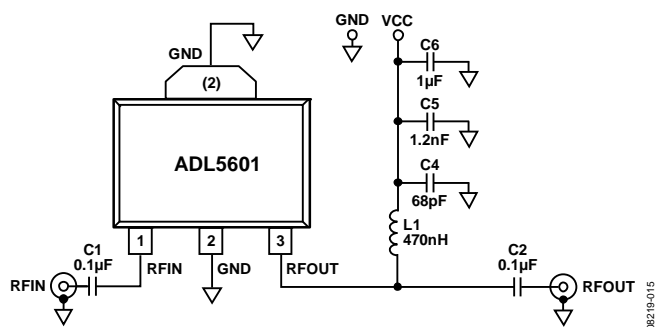


Figure 15. Basic Connections

SOLDERING INFORMATION AND RECOMMENDED PCB LAND PATTERN

Figure 16 shows the recommended land pattern for the ADL5601. To minimize thermal impedance, the exposed paddle on the package underside, along with Pin 2, should be soldered to a ground plane. If multiple ground layers exist, they should be stitched together using vias. For more information on land pattern design and layout, refer to the AN-772 Application Note, *A Design and Manufacturing Guide for the Lead Frame Chip Scale Package (LFCSP)*.

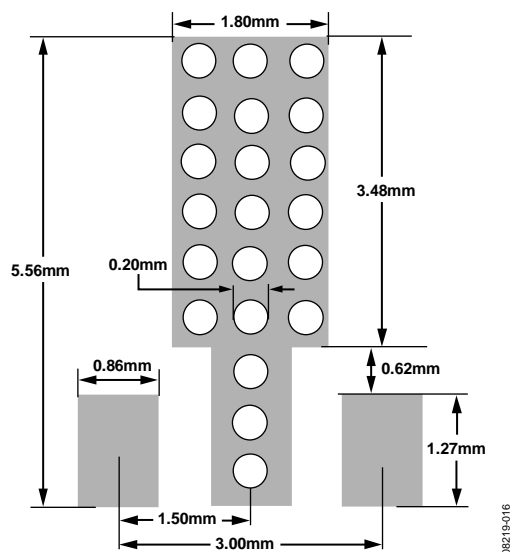


Figure 16. Recommended Land Pattern

Table 5. Recommended Components for Basic Connections

| Frequency | C1 | C2 | L1 | C4 | C5 | C6 |
|--------------------|-------------------|-------------------|--|-------|--------|-----------------|
| 50 MHz to 4000 MHz | 0.1 μF | 0.1 μF | 470 nH (Coilcraft 0603LS-NX or equivalent) | 68 pF | 1.2 nF | 1 μF |

W-CDMA ACPR PERFORMANCE

Figure 17 shows a plot of the adjacent channel power ratio (ACPR) vs. P_{OUT} for the ADL5601. The signal type used is a single wideband code division multiple access (W-CDMA) carrier (Test Model 1, 64) at 2140 MHz. This signal is generated by a very low ACPR source. ACPR is measured at the output by a high dynamic range spectrum analyzer that incorporates an instrument noise-correction function.

The ADL5601 achieves an ACPR of -69 dBc at -5 dBm output, at which point device noise, rather than distortion, begins to dominate the power in the adjacent channels. At an output power of $+5$ dBm, ACPR is still very low at -56 dBc, making the device particularly suitable for power amplifier (PA) driver applications.

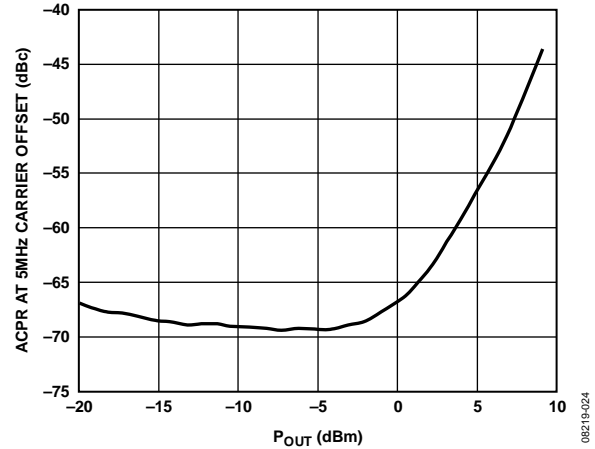


Figure 17. ACPR vs. P_{OUT} , Single W-CDMA Carrier (Test Model 1, 64) at 2140 MHz

EVALUATION BOARD

Figure 18 shows the evaluation board layout, and Figure 19 shows the schematic for the ADL5601 evaluation board. The board is powered by a single 5 V supply.

The components used on the board are listed in Table 6. Power can be applied to the board through clip-on leads (VCC and GND).

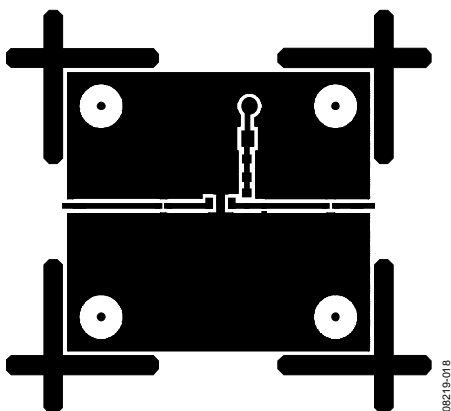


Figure 18. Evaluation Board Layout (Top)

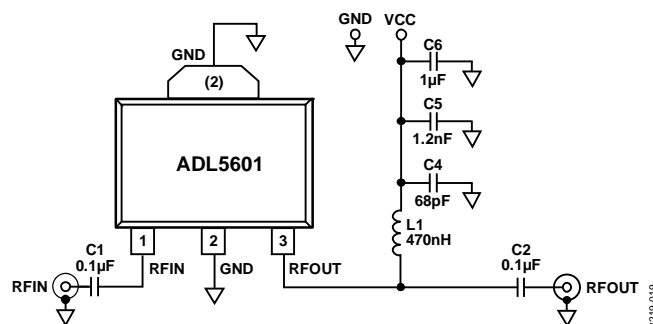
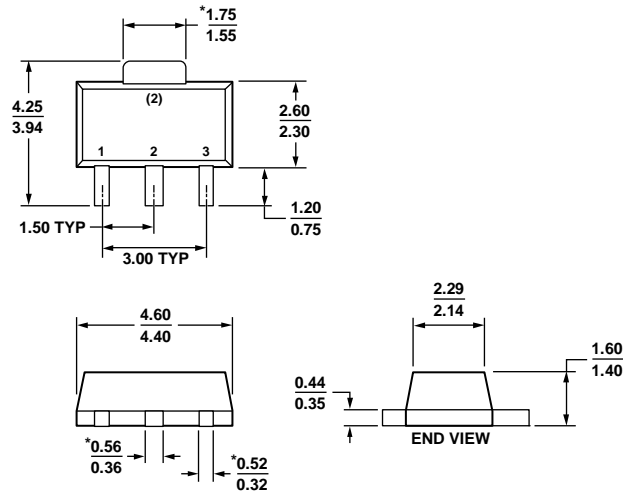


Figure 19. Evaluation Board Schematic

Table 6. Evaluation Board Configuration Options

| Component | Description | Default Value |
|-------------|------------------------------------|--|
| C1, C2 | AC coupling capacitors | 0.1 μ F, 0402 |
| L1 | DC bias inductor | 470 nH, 0603 (Coilcraft 0603LS-NX or equivalent) |
| VCC and GND | Clip-on terminals for power supply | |
| C4 | Power supply decoupling capacitor | 68 pF, 0603 |
| C5 | Power supply decoupling capacitor | 1.2 nF, 0603 |
| C6 | Power supply decoupling capacitor | 1 μ F, 1206 |

OUTLINE DIMENSIONS



*COMPLIANT TO JEDEC STANDARDS TO-243 WITH EXCEPTION TO DIMENSIONS INDICATED BY AN ASTERISK.

Figure 20. 3-Lead Small Outline Transistor Package [SOT-89] (RK-3)

Dimensions shown in millimeters

1218008-B

ORDERING GUIDE

| Model | Temperature Range | Package Description | Package Option |
|-----------------------------|-------------------|---------------------------------|----------------|
| ADL5601ARKZ-R7 ¹ | -40°C to +85°C | 3-Lead SOT-89, 7" Tape and Reel | RK-3 |
| ADL5601-EVALZ ¹ | | Evaluation Board | |

¹ Z = RoHS Compliant Part.

NOTES

ADL5601

NOTES