

DATA SHEET

SKY65037-360LF: Low Noise Amplifier

0.7–1.2 GHz

Applications

- Wireless infrastructure including GSM, CDMA, W-CDMA, ISM, and TD-SCDMA.
- Ultra low noise applications

Features

- Ultra low noise figure: 0.60 dB @ 900 MHz
- Excellent input and output return loss
- Adjustable gain: 15–25 dB @ 900 MHz
- High output 3rd order intercept: 32 dBm @ 65 mA
- High output 3rd order intercept: 34 @ 80 mA
- Output P_{1 dB}: 18 dBm @ 900 MHz
- Single, positive DC supply voltage
- Adjustable supply current, 30–100 mA
- Low cost small 8-lead QFN 2 x 2 mm package
- Available lead (Pb)-free, RoHS-compliant, and Green™, MSL-1 @ 260 °C per JEDEC J-STD-020

Description

The SKY65037-360LF is a high performance, two-stage ultralow noise amplifier fabricated from Skyworks advanced pHEMT process and packaged in a QFN 8L 2 x 2 mm package. The device features excellent input and output return loss and an integrated interstage matching network. The amplifier's ultralow noise figure, high gain and excellent third order intercept (IP3) allows it to be used in various receiver and transmitter applications.

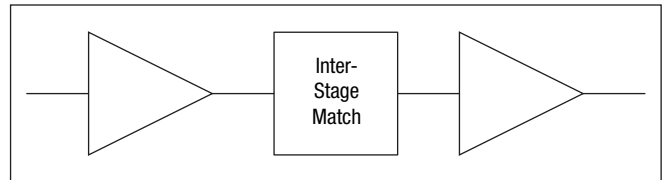
The SKY65037-360LF is lead (Pb)-free and RoHS-compliant.

NEW

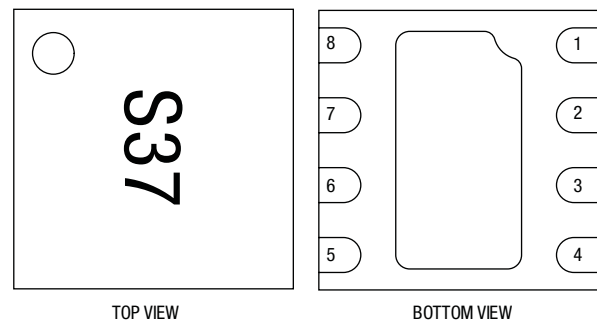


Skyworks Green™ products are RoHS (Restriction of Hazardous Substances)-compliant, conform to the EIA/EICTA/JEITA Joint Industry Guide (JIG) Level A guidelines, are halogen free according to IEC-61249-2-21, and contain <1,000 ppm antimony trioxide in polymeric materials.

Functional Block Diagram



8-Lead QFN 2 x 2 mm Package



Pin Configuration

Pin 1: V _{DD1}	Pin 5: Feedback
Pin 2: RFIN	Pin 6: No Connection
Pin 3: BIAS1	Pin 7: RFOUT/V _{DD2}
Pin 4: BIAS2	Pin 8: No Connection

Operating Characteristics

T = 25 °C, Z₀ = 50 Ω, V_{DD} = 5 V, I_{DD} = 65 mA, parameters include recommended 900 MHz matching network unless otherwise noted

Parameter	Symbol	Condition	Min.	Typ.	Max.	Unit
Noise figure ⁽¹⁾	NF			0.60	1	dB
Small signal gain	S ₂₁		16	17.5	19	dB
Input return loss	S ₁₁			-19		dB
Output return loss	S ₂₂			-7		dB
Reverse isolation	S ₁₂			-30		dB
Output third order intercept point	OIP3	10 MHz spacing, P _{IN} = -18 dBm per tone, I _{DD} = 65 mA		32		dBm
Output third order intercept point	OIP3	10 MHz spacing, P _{IN} = -18 dBm per tone, I _{DD} = 80 mA		34		dBm
1 dB output compression point	OP ₁ dB			17.5		dBm
Stability		Unconditionally stable up to 18 GHz				

1. Loss of input RF connector and board trace de-embedded from measurement

Absolute Maximum Ratings

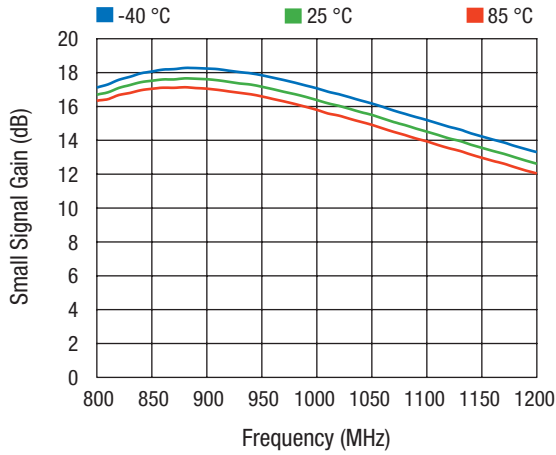
Characteristic	Value
Supply voltage (V _{DD})	5.5 V
RF input power (P _{IN})	10 dBm
Supply current stage one (I _{DS1})	100 mA
Supply current stage two (I _{DS2})	100 mA
Power dissipation (P _{DISS})	240 mW
Junction temperature (T _J)	150 °C
Storage temperature range (T _{ST})	-65 °C to +125 °C
Operating temperature range (T _{OP})	-40 °C to +85 °C
Thermal resistance (Θ _{JC})	47 °C/W

Performance is guaranteed only under the conditions listed in the specifications table and is not guaranteed under the full range(s) described by the Absolute Maximum specifications. Exceeding any of the absolute maximum/minimum specifications may result in permanent damage to the device and will void the warranty.

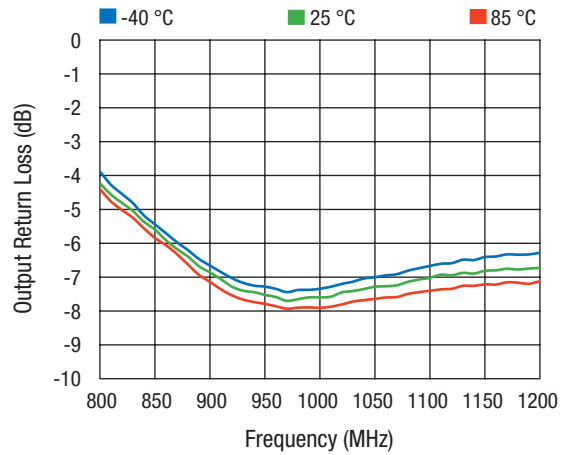
CAUTION: *Although this device is designed to be as robust as possible, ESD (Electrostatic Discharge) can damage this device. This device must be protected at all times from ESD. Static charges may easily produce potentials of several kilovolts on the human body or equipment, which can discharge without detection. Industry-standard ESD precautions must be employed at all times.*

Typical Performance Data

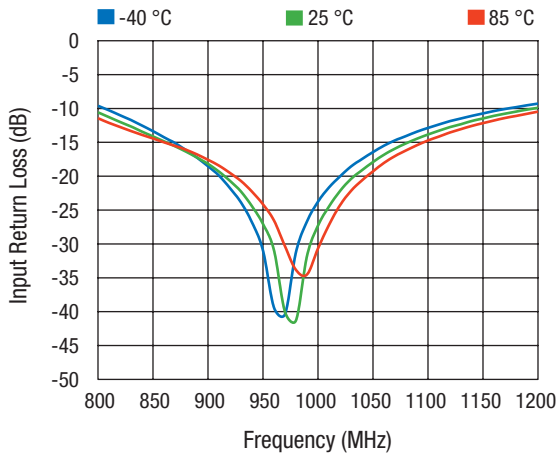
T = 25 °C, Z₀ = 50 Ω, V_{DD} = 5 V, I_{DD} = 65 mA, parameters include recommended 900 MHz matching network unless otherwise noted



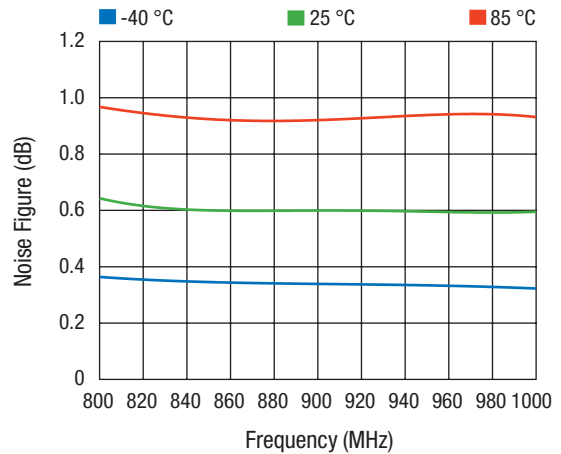
Small Signal Gain vs. Frequency for Multiple Temperatures, P_{IN} = -20 dBm



Output Return Loss vs. Frequency for Multiple Temperatures, P_{IN} = -20 dBm



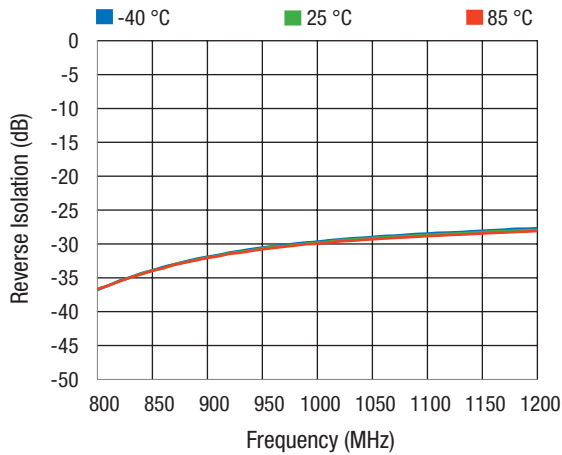
Input Return Loss vs. Frequency for Multiple Temperatures, P_{IN} = -20 dBm



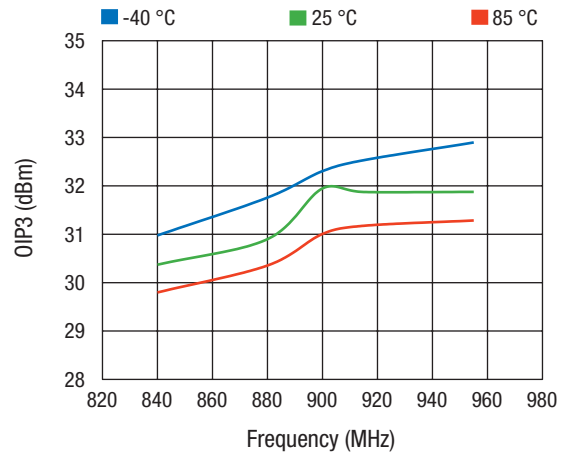
Noise Figure vs. Frequency for Multiple Temperatures, Input RF Connector and Board Trace De-embedded from Measurement

Typical Performance Data

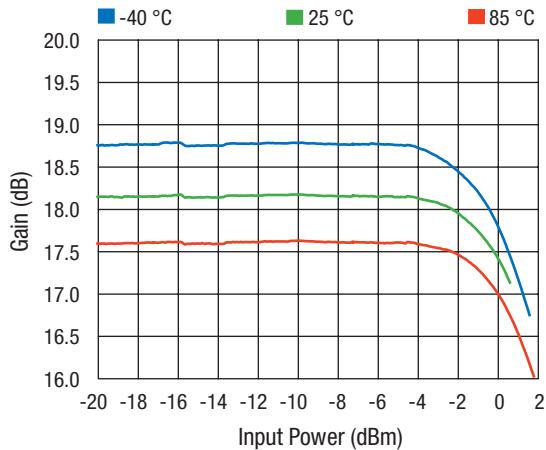
T = 25 °C, Z₀ = 50 Ω, V_{DD} = 5 V, I_{DD} = 65 mA, parameters include recommended 900 MHz matching network unless otherwise noted



Reverse Isolation vs. Frequency for Multiple Temperatures, P_{IN} = -20 dBm



OIP3 vs. Frequency for Multiple Temperatures, P_{IN} = -18 dBm/Tone, 5 MHz Tone Spacing



Gain vs. Input Power for Multiple Temperatures, F = 900 MHz

Theory of Operation

The SKY65037-360LF is a two stage low noise amplifier with an integrated interstage matching network. It is fabricated on Skyworks advanced pHEMT process and packaged in a QFN 8L 2 x 2 mm package. Using the recommended basic connections shown in the Evaluation Board Schematic, the device has a tested low noise figure of 0.60 dB and gain of 17.5 dB. The device allows designers to adjust current and gain without degrading noise figure.

The external matching network largely dictates the RF performance of the device. The matching network is required for operation and special care should be taken when designing a circuit board layout for the SKY65037-360LF. There are four separate sections to the external components; the input, output, biasing, and feedback components.

Biasing

To properly bias a depletion mode pHEMT, both the gate and drain of the device must be biased properly. At $V_{GS} = 0\text{ V}$ and $V_{DS} > 2\text{ V}$, the stage of the amplifier is in its saturated state and will draw the maximum amount of current, I_{DSS} . A V_{DS} of 5 V is recommended to ensure proper performance.

To eliminate the need of a negative DC supply, self-biasing should be used where a resistor is placed between one of the source leads and ground. A bypass capacitor should be placed in parallel to provide a RF ground and to ensure performance at the operating frequency remains unchanged. Current flows from drain to source through the resistor, resulting in the source voltage to be biased above DC ground. The gate pin of the device should be left unbiased at 0 V, thus creating the desired negative V_{GS} value. This largely simplifies the design by eliminating the need for a second DC supply. Resistor values for R1 and R2 can be changed to easily increase or decrease the bias current to a desired level.

The first stage is biased at 20% of I_{DSS} to achieve the best noise figure performance. The gain and current of the 2nd stage amplifier can be adjusted without degrading the overall noise figure. More current in the 2nd stage will yield better IP3 performance.

Components L3 and L5 are the RF bias choke inductors. These are required to block RF power and pass V_{DD} to the drain of each amplifier stage. Components C5, C6, C9 and C10 are RF bypass capacitors. R5 and R6 reduce the voltage presented at the drain of each stage of the device. The resistor values are optimized for OIP3 and $P_{1\text{ dB}}$ performance.

Source Inductance

The effect of source inductance will vary with frequency. Too little source inductance will increase gain and high frequency stability, but at the cost of more in-band instability. Too much source inductance will decrease high frequency stability and gain, but improve in-band instability. It is very important to find the optimum tuning of source inductance that will balance all variables.

The trace present on the first stage amplifier (pin 3) is about 160 mils in length and about 6 mils wide. The electrical length of the line is 7.3 degrees at 900 MHz. When designing a board for the SKY65037-360LF, these exact dimensions should be used. The board trace length at pin 4 should be minimized.

Input and Output RF Matching Network

The input band pass matching network consists of three components. C1 serves as the input DC blocking capacitor. C2 provides high frequency stability and improved input return loss. L1 and L2 are responsible for the best noise match looking into the gate of the first stage amplifier. Excess board trace should be eliminated at the input of the device to minimize board losses. High Q components should be used to achieve the best noise figure of the amplifier. Murata GJM series capacitors and Coilcraft HP or CS series inductors are recommended. Any excess board or component loss on the input of the device will directly add to the total measured noise figure.

The output matching network is band pass network optimized for output return loss.

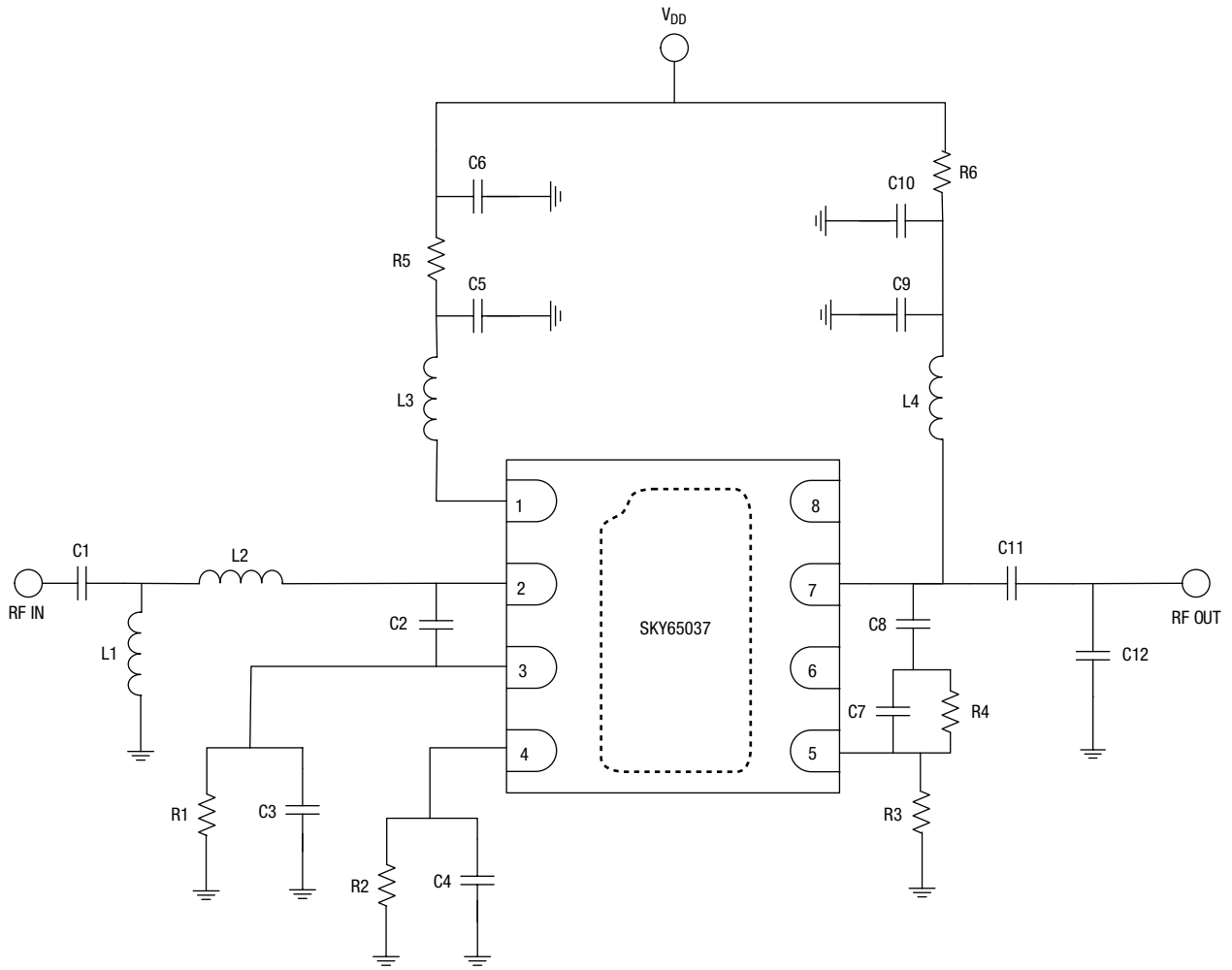
Feedback

Using feedback on the SKY65037-360LF is not necessary, but can be used to reduce gain without affecting other parameters. The default circuit configuration has 17.5 dB of gain, but can be increased to about 25 dB by removing feedback components. A recommended circuit that does not incorporate feedback is available upon request.

Measuring Noise Figure

Special care should be taken when making $< 1\text{ dB}$ noise figure measurements. Ideally, measurements should be made in an RF shield room. An Agilent MXA N9020A spectrum analyzer with an internal preamp paired with a N4001A smart noise source was used for all noise measurements. The smart noise source has an internal thermocouple which automatically sets the T_{COLD} setting on the analyzer. If a smart noise source is unavailable, a standard low ENR noise source should be used. Use an external thermocouple to manually adjust the T_{COLD} setting to ensure accurate results.

Evaluation Board Schematic



Layout and PCB Considerations

Please refer to the Recommended Board Layout. Input and output trace lengths have been minimized to reduce losses. All surface mount components are 0402 sized to reduce component parasitics. Use of 0603 or larger components is not recommended. Component spacing has also been minimized. The board is provisioned with two RF connectors and a DC launch. RF connector and board loss up to component C1 is approximately 0.05 dB at 900 MHz.

It is very important to place multiple ground vias as close to shunt components as possible. This will ensure proper grounding and circuit performance.

Board material is 10 mil VT47 FR4 with 1 oz. copper cladding. RF traces are 50 Ω with a 17.5 mil trace width and a 10 mil gap to ground.

Evaluation Board Test Procedure

Step 1: Connect RF test equipment to amplifier input/output SMA connectors

Step 2: Connect DC ground.

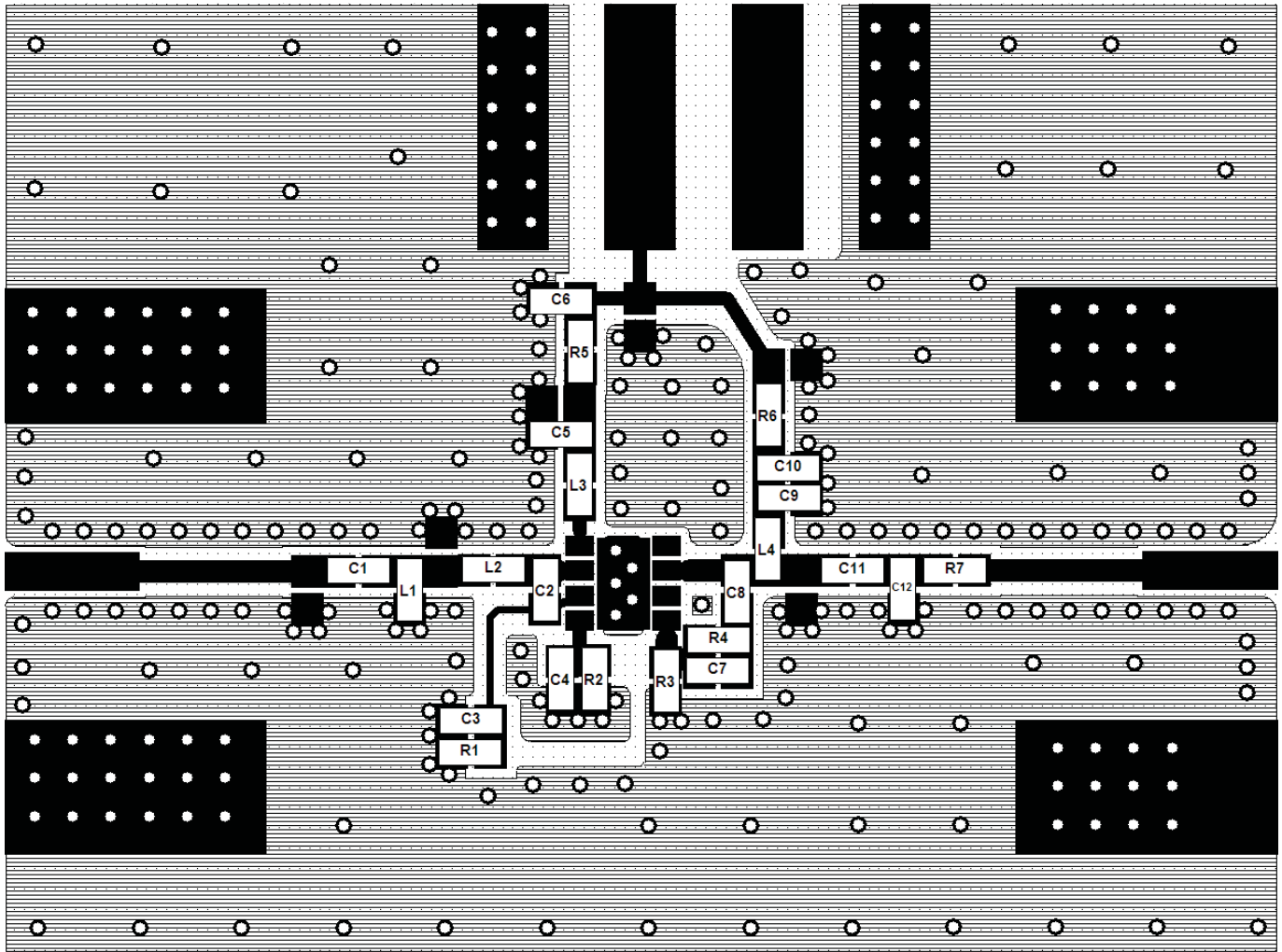
Step 3: Connect V_{DD} to a 5 V supply with a current limit of 100 mA. Verify that the board draws approximately 65 mA.

Step 4: Apply RF signal or noise source.

Recommended Evaluation Board Components for 900 MHz Operation

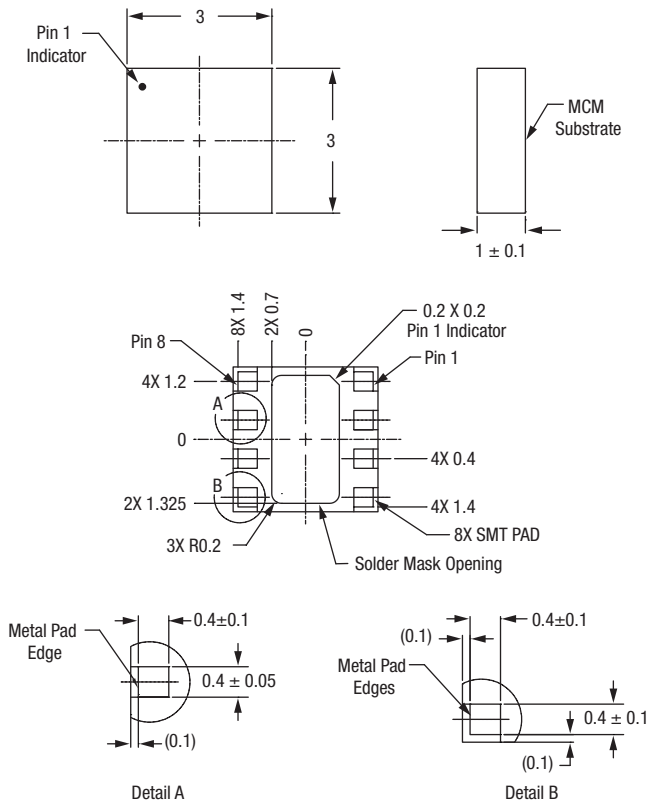
Component	Value	Size	Manufacturer	Description
C1	20 pF	0402	Murata	GJM Series
C2	0.5 pF	0402	Murata	GJM Series
C3	1000 pF	0402	Murata	GRM Series
C4	1000 pF	0402	Murata	GRM Series
C5	15 pF	0402	Murata	GRM Series
C6	1000 pF	0402	Murata	GRM Series
C7	1.8 pF	0402	Murata	GRM Series
C8	1.8 pF	0402	Murata	GRM Series
C9	1 pF	0402	Murata	GRM Series
C10	1000 pF	0402	Murata	GRM Series
C11	30 pF	0402	Murata	GRM Series
C12	1.8 pF	0402	Murata	GRM Series
L1	10 nH	0402	Coilcraft	HP Series
L2	2.2 nH	0402	Coilcraft	HP Series
L3	12 nH	0402	Taiyo Yuden	HK Series
L4	4.7 nH	0402	Taiyo Yuden	HK Series
R1	24 Ω	0402	Panasonic	
R2	9.1 Ω	0402	Panasonic	
R3	3k Ω	0402	Panasonic	
R4	47 Ω	0402	Panasonic	
R5	18 Ω	0402	Panasonic	
R6	10 Ω	0402	Panasonic	
R7	0 Ω	0402	Panasonic	

Recommended Board Layout

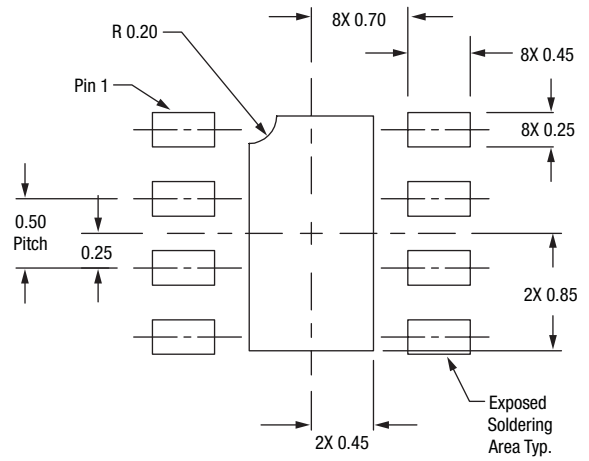


C1, C2, L1, and L2 are the input matching network.
C11 and C12 are the output matching network.
R1, R5, and C3 are the bias components for the 1st stage amplifier.
R2, R6, and C4 are the bias components for the 2nd stage amplifier.
C5, C6, C9, and C10 are RF bypass capacitors.
L3 and L4 are RF choke inductors.
R3, R4, C7, and C8 are the feedback components.
R7 is a 0 Ω jumper and should not be used when considering a new board layout.

8-Lead 2 x 2 mm QFN Package Dimensions



Recommended Land Pattern



1. Dimensioning and tolerancing in accordance with asme y14.5m-1994 unless otherwise specified.
2. Dimensions are in millimeters unless otherwise specified.

Copyright © 2009, Skyworks Solutions, Inc. All Rights Reserved.

Information in this document is provided in connection with Skyworks Solutions, Inc. ("Skyworks") products or services. These materials, including the information contained herein, are provided by Skyworks as a service to its customers and may be used for informational purposes only by the customer. Skyworks assumes no responsibility for errors or omissions in these materials or the information contained herein. Skyworks may change its documentation, products, services, specifications or product descriptions at any time, without notice. Skyworks makes no commitment to update the materials or information and shall have no responsibility whatsoever for conflicts, incompatibilities, or other difficulties arising from any future changes.

No license, whether express, implied, by estoppel or otherwise, is granted to any intellectual property rights by this document. Skyworks assumes no liability for any materials, products or information provided hereunder, including the sale, distribution, reproduction or use of Skyworks products, information or materials, except as may be provided in Skyworks Terms and Conditions of Sale.

THE MATERIALS, PRODUCTS AND INFORMATION ARE PROVIDED "AS IS" WITHOUT WARRANTY OF ANY KIND, WHETHER EXPRESS, IMPLIED, STATUTORY, OR OTHERWISE, INCLUDING FITNESS FOR A PARTICULAR PURPOSE OR USE, MERCHANTABILITY, PERFORMANCE, QUALITY OR NON-INFRINGEMENT OF ANY INTELLECTUAL PROPERTY RIGHT; ALL SUCH WARRANTIES ARE HEREBY EXPRESSLY DISCLAIMED. SKYWORKS DOES NOT WARRANT THE ACCURACY OR COMPLETENESS OF THE INFORMATION, TEXT, GRAPHICS OR OTHER ITEMS CONTAINED WITHIN THESE MATERIALS. SKYWORKS SHALL NOT BE LIABLE FOR ANY DAMAGES, INCLUDING BUT NOT LIMITED TO ANY SPECIAL, INDIRECT, INCIDENTAL, STATUTORY, OR CONSEQUENTIAL DAMAGES, INCLUDING WITHOUT LIMITATION, LOST REVENUES OR LOST PROFITS THAT MAY RESULT FROM THE USE OF THE MATERIALS OR INFORMATION, WHETHER OR NOT THE RECIPIENT OF MATERIALS HAS BEEN ADVISED OF THE POSSIBILITY OF SUCH DAMAGE.

Skyworks products are not intended for use in medical, lifesaving or life-sustaining applications, or other equipment in which the failure of the Skyworks products could lead to personal injury, death, physical or environmental damage. Skyworks customers using or selling Skyworks products for use in such applications do so at their own risk and agree to fully indemnify Skyworks for any damages resulting from such improper use or sale.

Customers are responsible for their products and applications using Skyworks products, which may deviate from published specifications as a result of design defects, errors, or operation of products outside of published parameters or design specifications. Customers should include design and operating safeguards to minimize these and other risks. Skyworks assumes no liability for applications assistance, customer product design, or damage to any equipment resulting from the use of Skyworks products outside of stated published specifications or parameters.

Skyworks, the Skyworks symbol, and "Breakthrough Simplicity" are trademarks or registered trademarks of Skyworks Solutions, Inc., in the United States and other countries. Third-party brands and names are for identification purposes only, and are the property of their respective owners. Additional information, including relevant terms and conditions, posted at www.skyworksinc.com, are incorporated by reference.