



DATA SHEET

# SKY65047-360LF: 0.4-3.0 GHz Low-Noise Amplifier

## Applications

- Wireless infrastructure: WLAN, WiMAX, broadband, cellular base stations
- Test instrumentation
- Satellite receivers
- Paging
- Remote metering
- WLL and ISM receivers
- GPS receivers

## Features

- Noise Figure = 1.2 dB @ 915 MHz
- Noise Figure = 0.8 dB @ 1575 MHz
- Noise Figure = 1.1 dB @ 2450 MHz
- Small signal gain = 16.6 dB @ 1575 MHz
- Low operating current = 7.2 mA
- External, adjustable bias setting
- Built-in power-down control
- Single DC supply voltage, 2.7 V to 3.8 V
- Miniature DFN (8-pin, 2 x 2 mm) package (MSL1, 260 °C per JEDEC J-STD-020)

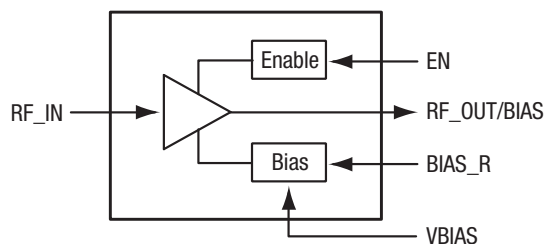
## Description

The SKY65047-360LF is a high linearity Low-Noise Amplifier (LNA). The excellent gain, superior low-noise and low current consumption makes the SKY65047-360LF ideal for use in wireless infrastructure applications. The device may also be used in a variety of LNA applications. All active circuitry in the module is contained in a single Microwave Monolithic Integrated Circuit (MMIC).

The device is manufactured with an advanced silicon germanium (SiGe) process, which allows a single supply operation while maintaining excellent low-noise performance and linearity. The SKY65047-360LF is provided in a low-cost, miniature 2 x 2 mm Dual Flat No-Lead (DFN) package.

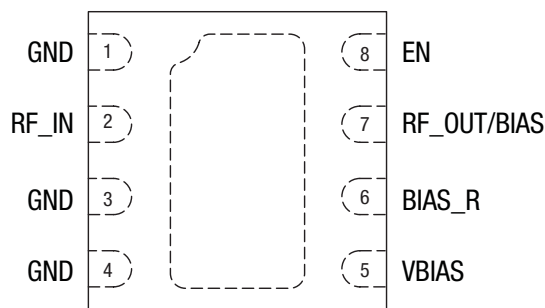
A functional block diagram is shown in Figure 1. The pin configuration and package are shown in Figure 2. Signal pin assignments and functional pin descriptions are provided in Table 1.

**NEW** Skyworks offers lead (Pb)-free RoHS (Restriction of Hazardous Substances) compliant packaging.



S1487

Figure 1. SKY65047-360LF Block Diagram



S1486

Figure 2. SKY65047-360LF Pinout – 8-Pin DFN (Top View)

**Table 1. SKY65047-360LF Signal Descriptions**

| Pin # | Name  | Description | Pin # | Name        | Description              |
|-------|-------|-------------|-------|-------------|--------------------------|
| 1     | GND   | Ground      | 5     | VBIAS       | VCC bias voltage         |
| 2     | RF_IN | RF input    | 6     | BIAS_R      | Bias reference voltage   |
| 3     | GND   | Ground      | 7     | RF_OUT/BIAS | RF output/VCC bias       |
| 4     | GND   | Ground      | 8     | EN          | Amplifier enable control |

**Functional Description**

The SKY65047-360LF is a single stage, low noise amplifier in a low-cost surface mount package. The device operates with a single +3.3 V power supply connected through an RF choke to the output pin. Surface mount capacitors provide DC bias decoupling for VCC.

The bias current is set by a reference voltage transistor and by resistor R1. Pin 2 (RF\_IN) is the RF input and Pin 7 (RF-OUT/BIAS) is the RF output. The part is externally RF matched and DC blocked using surface mount components to facilitate operation over a frequency range of 0.4 to 3.0 GHz. Pins 1, 3, and 4, and the package backside metal provide the DC and RF ground.

The SKY65047-360LF includes an internal PA enable (pin 8, EN) for fast RF on/off control. A logic low voltage level disables the PA; a logic high voltage level enables the PA.

**Electrical and Mechanical Specifications**

The absolute maximum ratings of the SKY65047-360LF are provided in Table 2. The recommended operating conditions are specified in Table 3 and electrical specifications are provided in Table 4.

Typical performance characteristics for the SKY65047-360LF are illustrated in Figures 3 through 8.

**Table 2. SKY65047-360LF Absolute Maximum Ratings**

| Parameter            | Symbol            | Minimum | Typical | Maximum | Units |
|----------------------|-------------------|---------|---------|---------|-------|
| Supply voltage       | V <sub>CC</sub>   |         |         | 4       | V     |
| Total supply current | I <sub>BIAS</sub> |         |         | 20      | mA    |
| RF input power       | P <sub>IN</sub>   |         |         | +20     | dBm   |
| Storage temperature  | T <sub>STG</sub>  | -65     |         | +125    | °C    |
| Junction temperature | T <sub>J</sub>    |         |         | +125    | °C    |
| Case temperature     | T <sub>CASE</sub> | -40     |         | +85     | °C    |

**Note:** Exposure to maximum rating conditions for extended periods may reduce device reliability. There is no damage to device with only one parameter set at the limit and all other parameters set at or below their nominal value.

**CAUTION:** Although this device is designed to be as robust as possible, Electrostatic Discharge (ESD) can damage this device. This device must be protected at all times from ESD. Static charges may easily produce potentials of several kilovolts on the human body or equipment, which can discharge without detection. Industry-standard ESD precautions should be used at all times.

**Table 3. SKY65047-360LF Recommended Operating Conditions**

| Parameter                      | Symbol            | Minimum              | Typical | Maximum         | Units |
|--------------------------------|-------------------|----------------------|---------|-----------------|-------|
| Frequency                      | f                 | 0.4                  |         | 3.0             | GHz   |
| RF input power                 | P <sub>IN</sub>   |                      |         | -20             | dBm   |
| Bias supply voltage (Note 1)   | V <sub>BIAS</sub> | 2.7                  | 3.3     | 3.8             | V     |
| Amplifier enable control (on)  | EN <sub>ON</sub>  | V <sub>CC</sub> -0.3 |         | V <sub>CC</sub> | V     |
| Amplifier enable control (off) | EN <sub>OFF</sub> | 0                    |         | 0.2             | V     |
| Operating temperature          | T <sub>OP</sub>   | -40                  | +25     | +85             | °C    |

**Note 1:** Voltage applied to pin 5 (VBIAS) and pin 7 (RF\_OUT/BIAS).

**Table 4. SKY65047-360LF Electrical Specifications (Note 1) (1 of 2)**  
**(VBIAS and EN = 3.3 V, Characteristic Impedance [Z<sub>0</sub>] = 50 Ω, T<sub>CASE</sub> = 25 °C, Unless Otherwise Noted)**

| Parameter  | Symbol          | Test Condition                                 | Min   | Typical | Max | Units |
|--|-----------------|--|-------|---------|-----|-------|
| <b>450 MHz Matched Performance</b>                                     |                 |  |       |         |     |       |
| Noise Figure   | NF              |  |       | 1.4     |     | dB    |
| Noise Figure variation over temperature                                | NF              | 25 °C to -40 °C or 25 °C to +85 °C             |       | ±0.3    |     | dB    |
| 3 <sup>rd</sup> Order Input Intercept Point                            | IIP3            |  |       | -6      |     | dBm   |
| 3 <sup>rd</sup> Order Input Intercept Point variation over temperature | IIP3            | 25 °C to -40 °C or 25 °C to +85 °C             |       | ±0.7    |     | dB    |
| Input return loss  | IRL             | With external matching                         |       | 14      |     | dB    |
| Output return loss   | ORL             | With external matching                         |       | 15      |     | dB    |
| Supply current   | I <sub>cc</sub> | Bias resistor = 4.7 kΩ                         |       | 6.9     |     | mA    |
| <b>915 MHz Matched Performance</b>                                     |                 |  |       |         |     |       |
| Gain   | G               |  |       | 17      |     | dB    |
| Gain variation over temperature  | G               | 25 °C to -40 °C or 25 °C to +85 °C             |       | ±0.4    |     | dB    |
| Isolation  | I <sub>so</sub> |  |       | 28      |     | dB    |
| Noise Figure   | NF              |  |       | 1.2     |     | dB    |
| Noise Figure variation over temperature                                | NF              | 25 °C to -40 °C or 25 °C to +85 °C             |       | ±0.2    |     | dB    |
| 1 dB Input Compression Point   | IP1 dB          |  |       | -16.5   |     | dBm   |
| 3 <sup>rd</sup> Order Input Intercept Point                            | IIP3            | P <sub>M</sub> = -30 dBm/tone, 200 kHz spacing |       | +0.8    |     | dBm   |
| 3 <sup>rd</sup> Order Input Intercept Point variation over temperature | IIP3            | 25 °C to -40 °C or 25 °C to +85 °C             |       | ±0.5    |     | dB    |
| Input return loss  | IRL             | With external matching                         |       | 15.5    |     | dB    |
| Output return loss   | ORL             | With external matching                         |       | 12.7    |     | dB    |
| Supply current   | I <sub>cc</sub> | Bias resistor = 4.7 kΩ                         |       | 6.5     |     | mA    |
| <b>1575 MHz Matched Performance</b>                                    |                 |  |       |         |     |       |
| Gain   | G               |  |       | 16.6    |     | dB    |
| Gain variation over temperature  | G               | 25 °C to -40 °C or 25 °C to +85 °C             |       | ±0.6    |     | dB    |
| Isolation  | I <sub>so</sub> |  | 22    | 26      |     | dB    |
| Noise Figure   | NF              |  |       | 0.8     | 1.2 | dB    |
| Noise Figure variation over temperature                                | NF              | 25 °C to -40 °C or 25 °C to +85 °C             |       | ±0.3    |     | dB    |
| 1 dB Input Compression Point   | IP1 dB          |  | -18.4 | -15.8   |     | dBm   |
| 3 <sup>rd</sup> Order Input Intercept Point                            | IIP3            | P <sub>M</sub> = -30 dBm/tone, 200 kHz spacing | +1.0  | +3.2    |     | dBm   |
| 3 <sup>rd</sup> Order Input Intercept Point variation over temperature | IIP3            | 25 °C to -40 °C or 25 °C to +85 °C             |       | ±0.8    |     | dB    |
| Input return loss  | IRL             | With external matching                         | 10.0  | 14.5    |     | dB    |
| Output return loss   | ORL             | With external matching                         | 10    | 12      |     | dB    |
| Supply current   | I <sub>cc</sub> | Bias resistor = 4.7 kΩ                         |       | 7.2     |     | mA    |

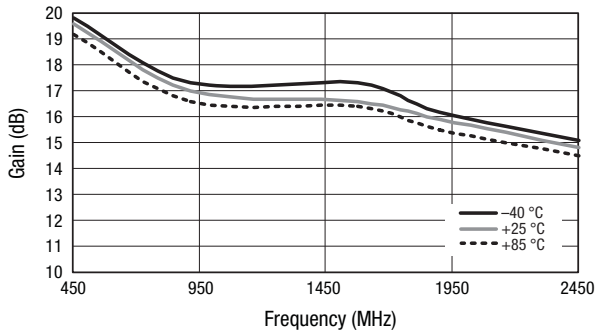
**Table 4. SKY65047-360LF Electrical Specifications (Note 1) (2 of 2)**  
**(VBIAS and EN = 3.3 V, Characteristic Impedance [Z<sub>0</sub>] = 50 Ω, T<sub>case</sub> = 25 °C, Unless Otherwise Noted)**

| Parameter  | Symbol           | Test Condition                                  | Min | Typical | Max | Units |
|--|------------------|---|-----|---------|-----|-------|
| <b>1900 MHz Matched Performance</b>                                    |                  |   |     |         |     |       |
| Gain   | G                |   |     | 15.9    |     | dB    |
| Gain variation over temperature  | G                | 25 °C to -40 °C or 25 °C to +85 °C              |     | ±0.3    |     | dB    |
| Isolation  | Iso              |   |     | 22      |     | dB    |
| Noise Figure   | NF               |   |     | 1.3     |     | dB    |
| Noise Figure variation over temperature                                | NF               | 25 °C to -40 °C or 25 °C to +85 °C              |     | ±0.2    |     | dB    |
| 1 dB Input Compression Point   | IP1dB            |   |     | -12.8   |     | dBm   |
| 3 <sup>rd</sup> Order Input Intercept Point                            | IIP3             |   |     | +4.7    |     | dBm   |
| 3 <sup>rd</sup> Order Input Intercept Point variation over temperature | IIP3             | 25 °C to -40 °C or 25 °C to +85 °C              |     | ±0.4    |     | dB    |
| Input return loss  | IRL              | With external matching                          |     | 18      |     | dB    |
| Output return loss   | ORL              | With external matching                          |     | 23      |     | dB    |
| Supply current   | I <sub>cc</sub>  | Bias resistor = 4.7 kΩ                          |     | 7.1     |     | mA    |
| <b>2450 MHz Matched Performance</b>                                    |                  |   |     |         |     |       |
| Gain   | G                |   |     | 14.8    |     | dB    |
| Gain variation over temperature  | G                | 25 °C to -40 °C or 25 °C to +85 °C              |     | ±0.3    |     | dB    |
| Isolation  | Iso              |   |     | 21      |     | dB    |
| Noise Figure   | NF               |   |     | 1.1     |     | dB    |
| Noise Figure variation over temperature                                | NF               | 25 °C to -40 °C or 25 °C to +85 °C              |     | ±0.2    |     | dB    |
| 1 dB Input Compression Point   | IP1dB            |   |     | -9.6    |     | dBm   |
| 3 <sup>rd</sup> Order Input Intercept Point                            | IIP3             | P <sub>IN</sub> = -30 dBm/tone, 200 kHz spacing |     | +7.5    |     | dBm   |
| 3 <sup>rd</sup> Order Input Intercept Point variation over temperature | IIP3             | 25 °C to -40 °C or 25 °C to +85 °C              |     | ±0.3    |     | dB    |
| Input return loss  | IRL              | With external matching                          |     | 14      |     | dB    |
| Output return loss   | ORL              | With external matching                          |     | 16      |     | dB    |
| Supply current   | I <sub>cc</sub>  | Bias resistor = 4.7 kΩ                          |     | 6.4     |     | mA    |
| <b>Power-Down</b>  |                  |   |     |         |     |       |
| Leakage current  | I <sub>lkg</sub> | No RF   |     | 0.1     |     | μA    |

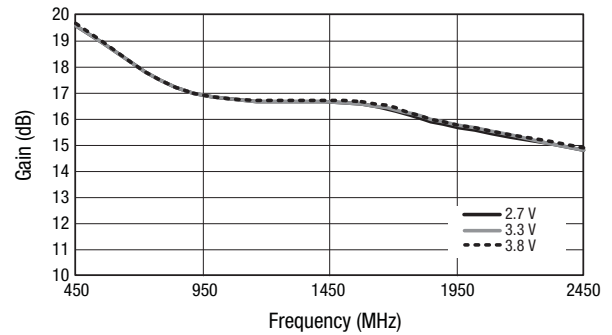
**Note 1:** Performance is guaranteed only under the conditions listed in this Table.

**Typical Performance Characteristics**

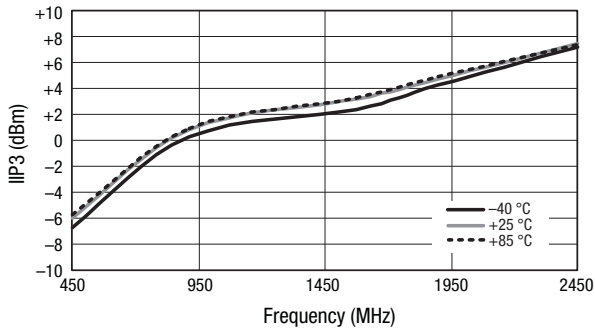
(VBIAS and EN = 3.3 V, Characteristic Impedance [Z<sub>0</sub>] = 50 Ω, T<sub>CASE</sub> = 25 °C, Unless Otherwise Noted)



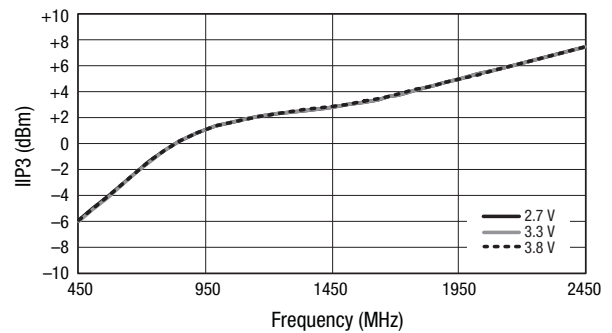
**Figure 3. Gain Over Temperature and Frequency**



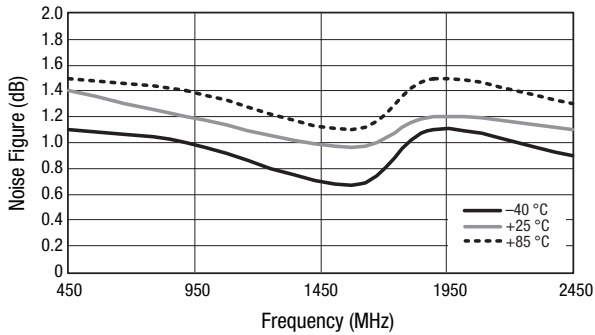
**Figure 4. Gain Over Supply Voltage and Frequency**



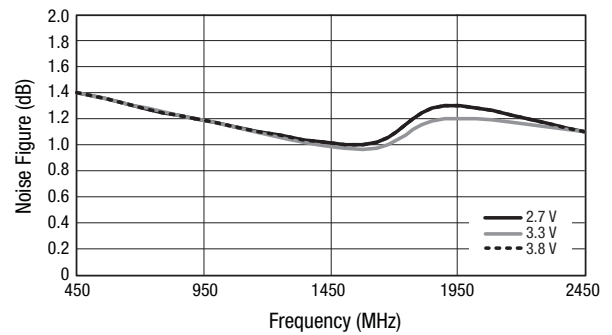
**Figure 5. IIP3 Over Temperature and Frequency**



**Figure 6. IIP3 Over Supply Voltage and Frequency**



**Figure 7. Noise Figure Over Temperature and Frequency**



**Figure 8. Noise Figure Over Supply Voltage and Frequency**

## Evaluation Board Description

The SKY65047-360LF Evaluation Board is used to test the performance of the SKY65047-360LF LNA. Three different boards are available, depending on the desired performance frequency: 915 MHz, 1575 MHz, and 2450 MHz.

Evaluation Board schematic diagrams are provided in Figures 9, 11, and 13. Assembly drawings for the Evaluation Board are shown in Figures 10, 12, and 14.

Evaluation Board layer detail drawings for the 915 MHz, 1575 MHz, and 2450 MHz boards are shown in Figures 15, 16, and 17, respectively. Layer detail physical characteristics are noted in Figure 18.

## Circuit Design Considerations

The following design considerations are general in nature and must be followed regardless of final use or configuration:

1. Paths to ground should be made as short as possible.
2. The ground pad of the SKY65047-360LF has special electrical and thermal grounding requirements. This pad is the main thermal conduit for heat dissipation. Since the circuit board acts as the heat sink, it must shunt as much heat as possible from the device. Therefore, design the connection to the ground pad to dissipate the maximum wattage produced by the circuit board. Multiple vias to the grounding layer are required.

**NOTE:** A poor connection between the slug and ground increases junction temperature ( $T_j$ ), which reduces the lifetime of the device.

## Evaluation Board Test Procedure

- Step 1: Connect RF test equipment to amplifier input/output SMA connectors.
- Step 2: Connect DC ground.
- Step 3: Connect VCC to a +3.3 V supply. Verify that the board draws approximately 6.7 mA.
- Step 4: Connect pin 8 (EN) to a +3.3 V supply to enable the LNA. Set EN to 0 V to disable the LNA.
- Step 5: Apply an RF input signal of -40 dBm and observe the output signal level. This level should be approximately -23.5 dBm with a gain equal to approximately 16.5 dB.

## Application Circuit Notes

**Center Ground.** It is extremely important to sufficiently ground the bottom ground pad of the device for both thermal and stability

reasons. Multiple small vias are acceptable and will work well under the device if solder migration is an issue.

**GND (pins 1, 3, and 4).** Attach all ground pins to the RF ground plane with the largest diameter and lowest inductance via that the layout allows. Multiple small vias are acceptable and will work well under the device if solder migration is an issue. Pin 3 can also be connected to ground with a small inductance of emitter degeneration.

**RF\_IN (pin 2).** The LNA requires a DC blocking capacitor as part of the external RF matching.

**VBias (pin 5).** The bias supply voltage for the LNA is typically set to +3.3 V using a bias resistor.

**BIAS\_R (pin 6).** This pin is typically connected to +3.3 V through a bias resistor.

**RF\_OUT/BIAS (pin 7).** The LNA collector supply voltage is supplied through an RF choke (component L3 on the 915 MHz and 2450 MHz Evaluation Boards, and component L2 on the 1575 MHz Evaluation Board) to the output at pin 7. The LNA requires a DC blocking capacitor as part of the external RF matching.

**EN (pin 8).** A logic low voltage level disables the internal PA; a logic high voltage level enables the internal PA.

## Package Dimensions

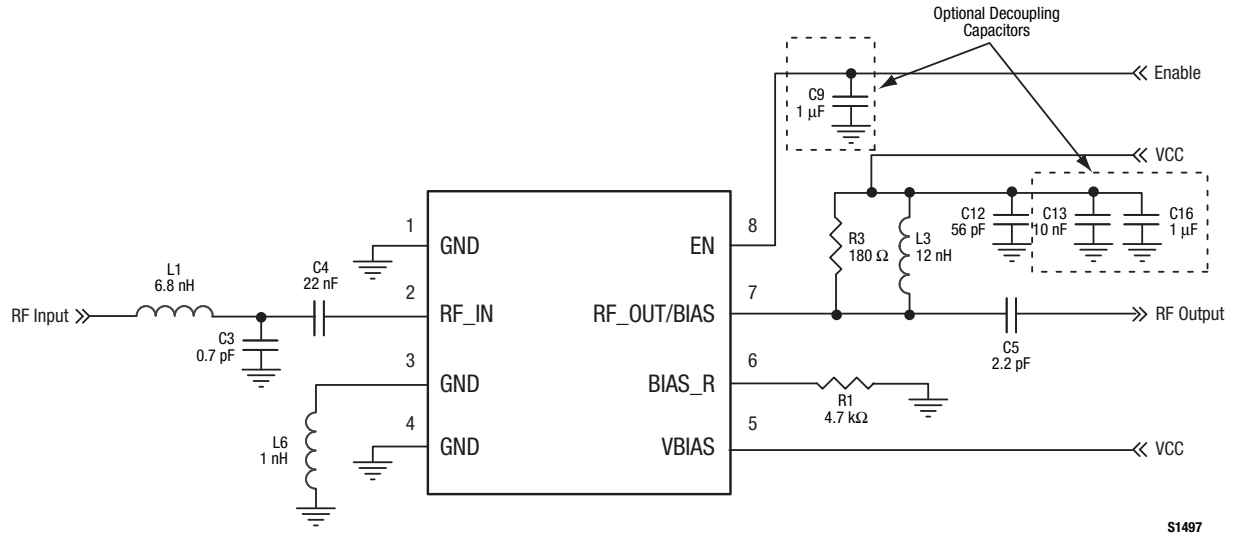
The PCB layout footprint for the SKY65047-360LF is shown in Figure 19. Typical case markings are shown in Figure 20. Package dimensions for the 8-pin DFN are shown in Figure 21, and tape and reel dimensions are provided in Figure 22.

## Package and Handling Information

Since the device package is sensitive to moisture absorption, it is baked and vacuum packed before shipping. Instructions on the shipping container label regarding exposure to moisture after the container seal is broken must be followed. Otherwise, problems related to moisture absorption may occur when the part is subjected to high temperature during solder assembly.

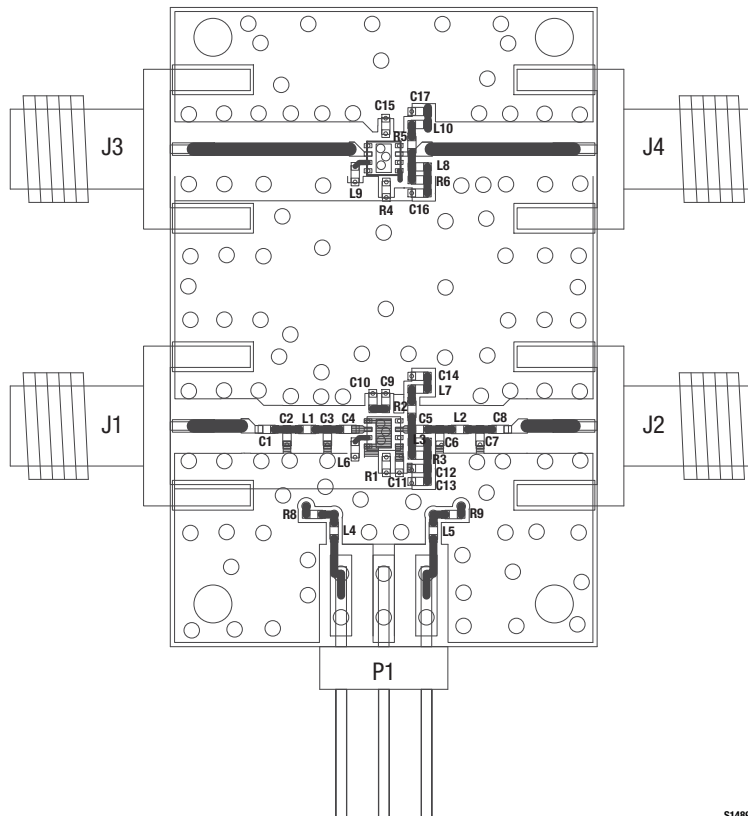
THE SKY65047-360LF is rated to Moisture Sensitivity Level 1 (MSL1) at 260 °C. It can be used for lead or lead-free soldering. For additional information, refer to the Skyworks Application Note, *Solder Reflow Information*, document number 200164.

Care must be taken when attaching this product, whether it is done manually or in a production solder reflow environment. Production quantities of this product are shipped in a standard tape and reel format.



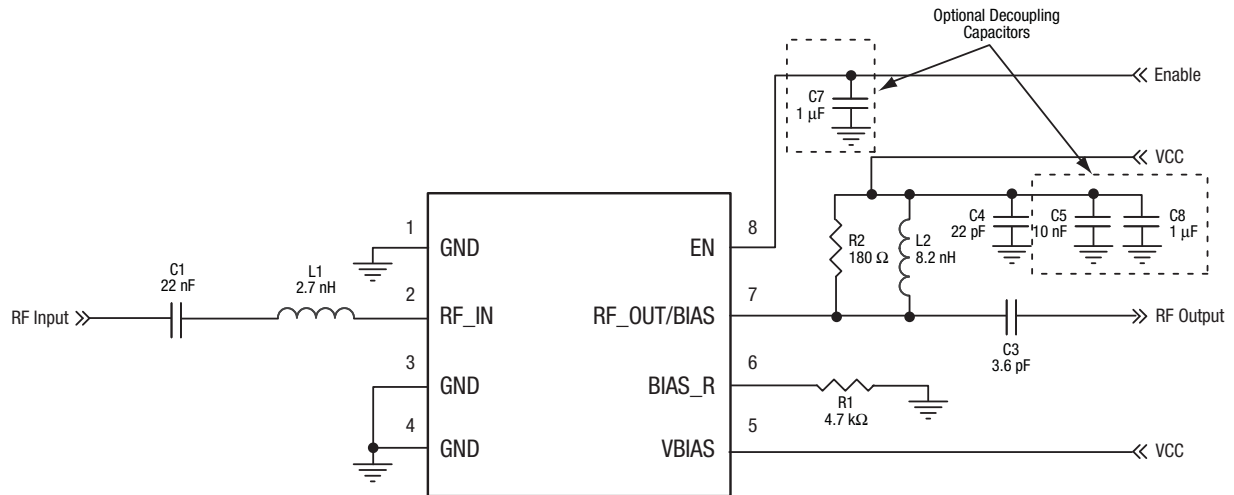
S1497

**Figure 9. SKY65047-360LF Evaluation Board Schematic (915 MHz)**



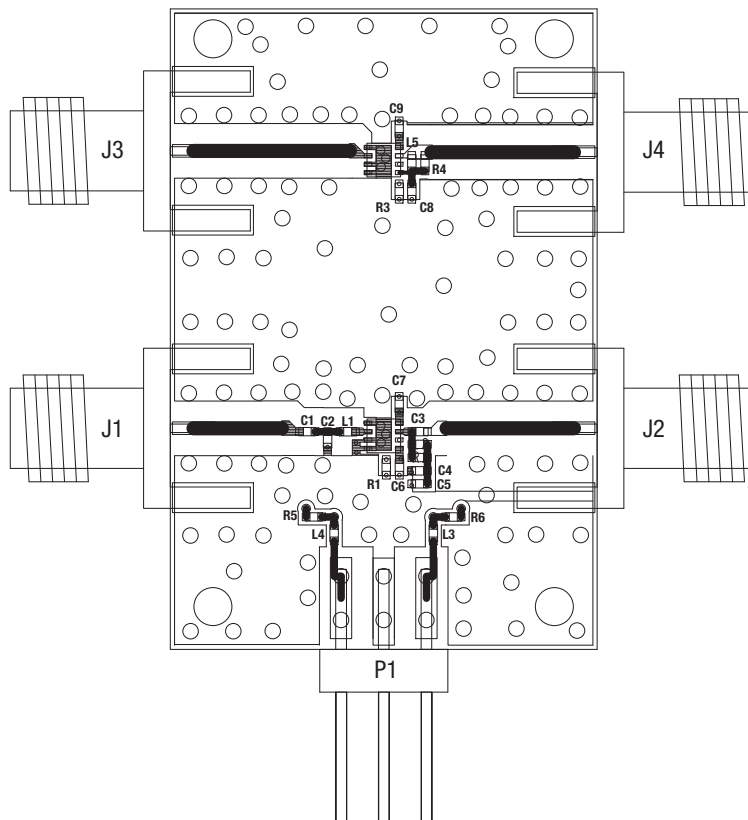
S1489

**Figure 10. SKY65047-360LF Evaluation Board Assembly Diagram (915 MHz)**



S1498

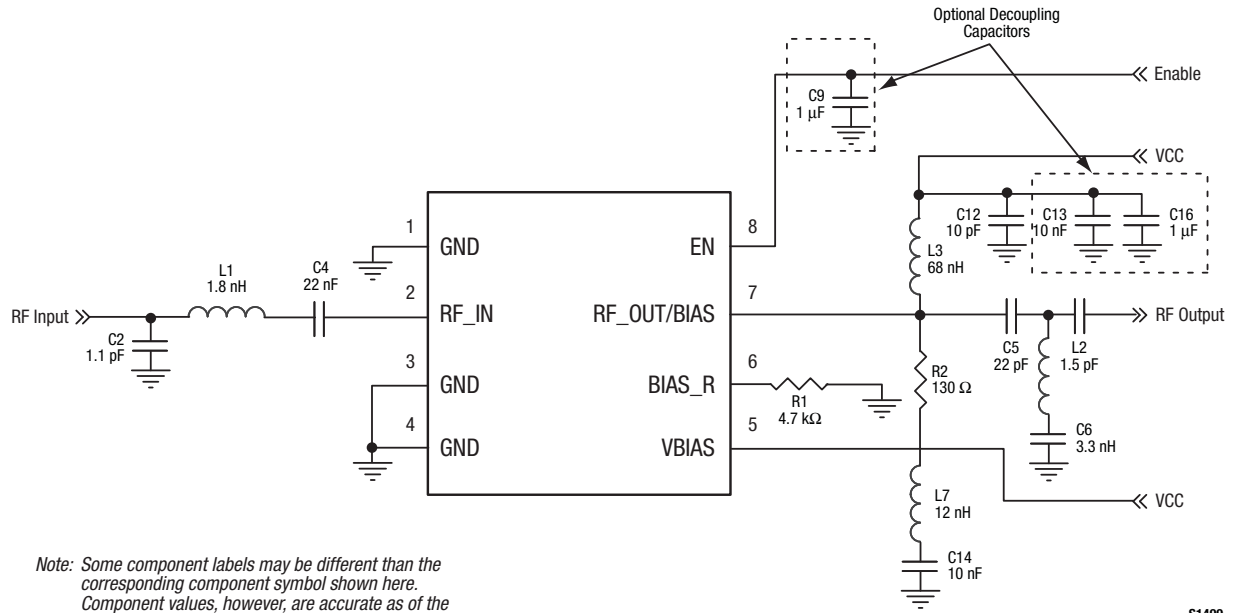
**Figure 11. SKY65047-360LF Evaluation Board Schematic (1575 MHz)**



S1490

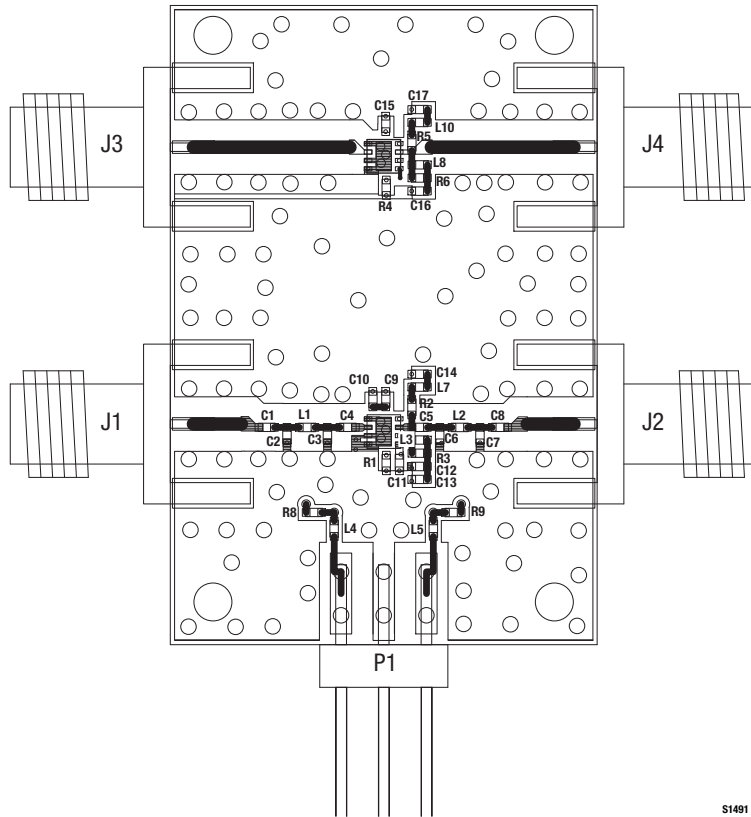
**Figure 12. SKY65047-360LF Evaluation Board Assembly Diagram (1575 MHz)**





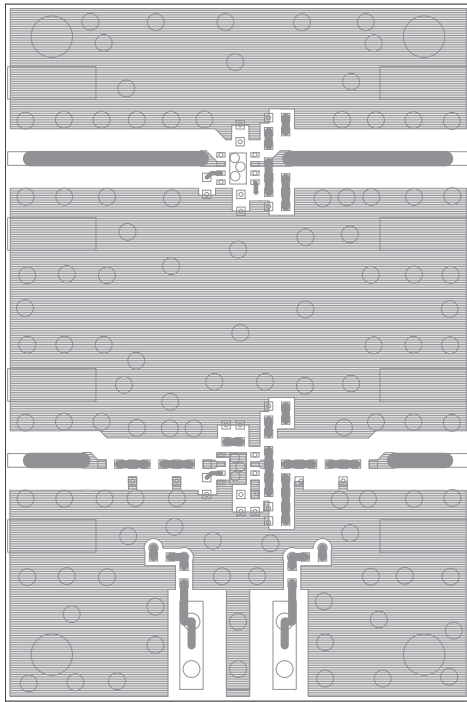
S1499

**Figure 13. SKY65047-360LF Evaluation Board Schematic (2450 MHz)**

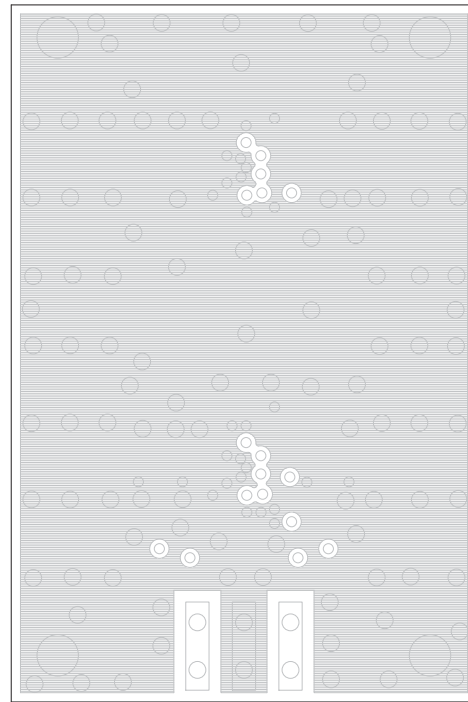


S1491

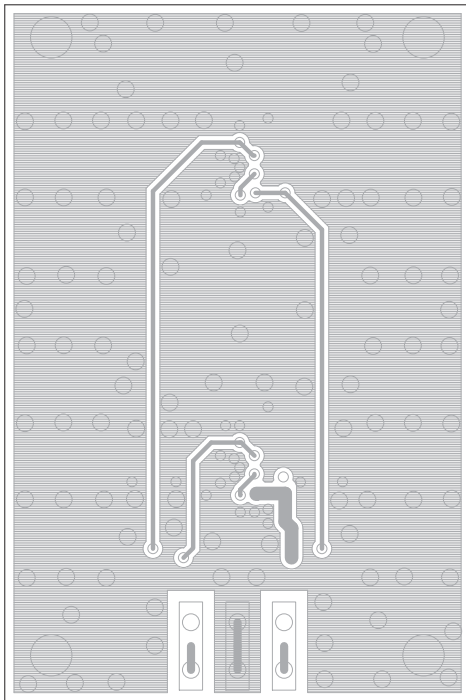
**Figure 14. SKY65047-360LF Evaluation Board Assembly Diagram (2450 MHz)**



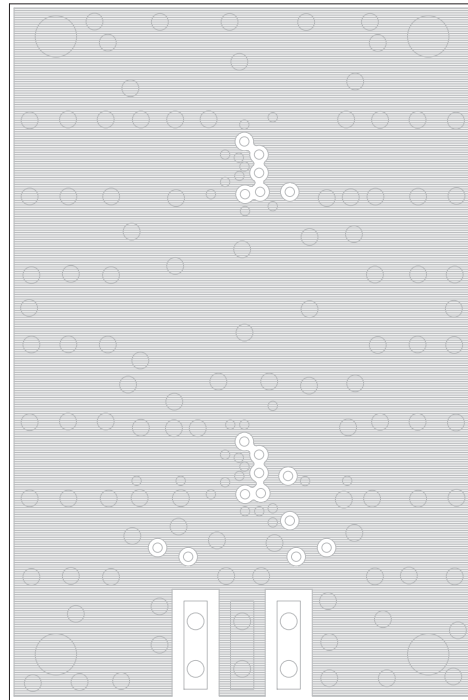
Layer 1: Top – Metal



Layer 2: Ground



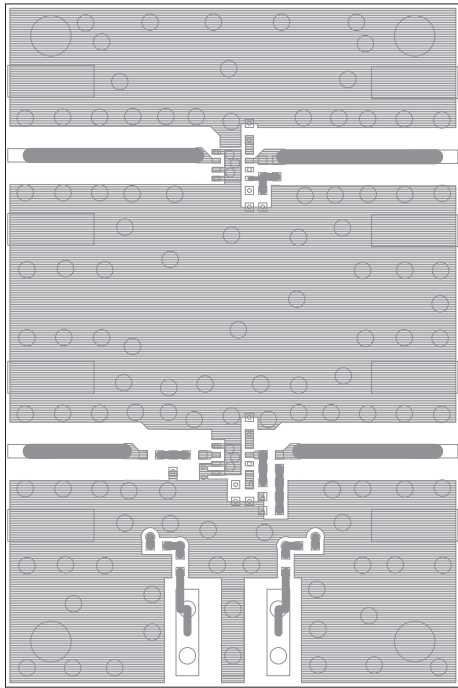
Layer 3: Power Plane



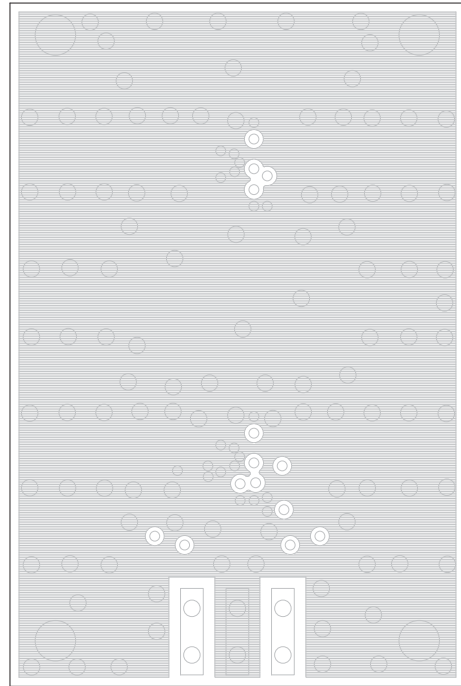
Layer 4: Solid Ground Plane

S1492

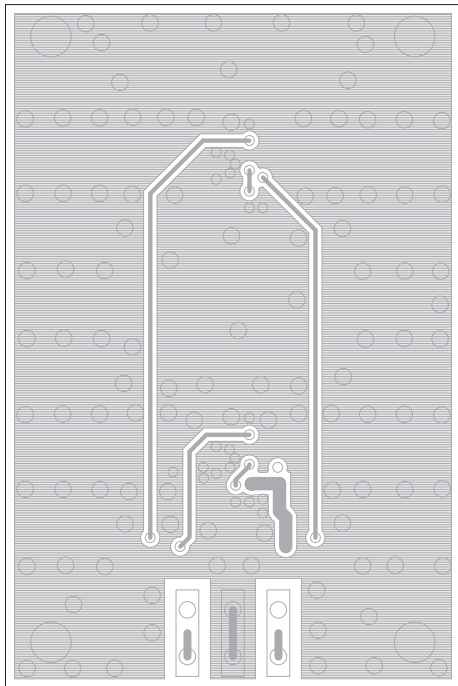
**Figure 15. SKY65047-360LF Evaluation Board Layer Detail (915 MHz)**



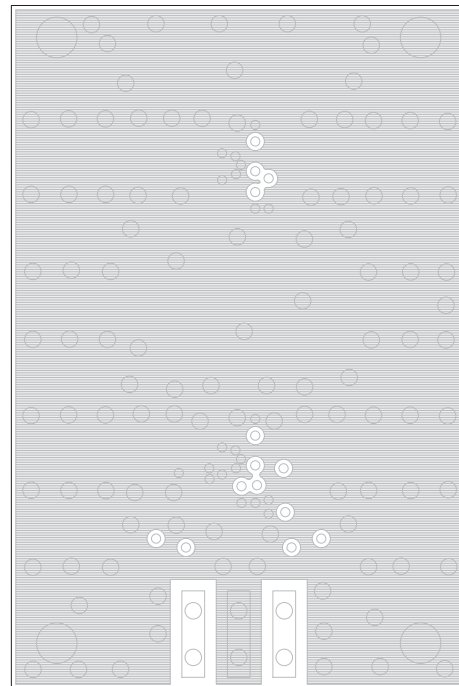
Layer 1: Top – Metal



Layer 2: Ground



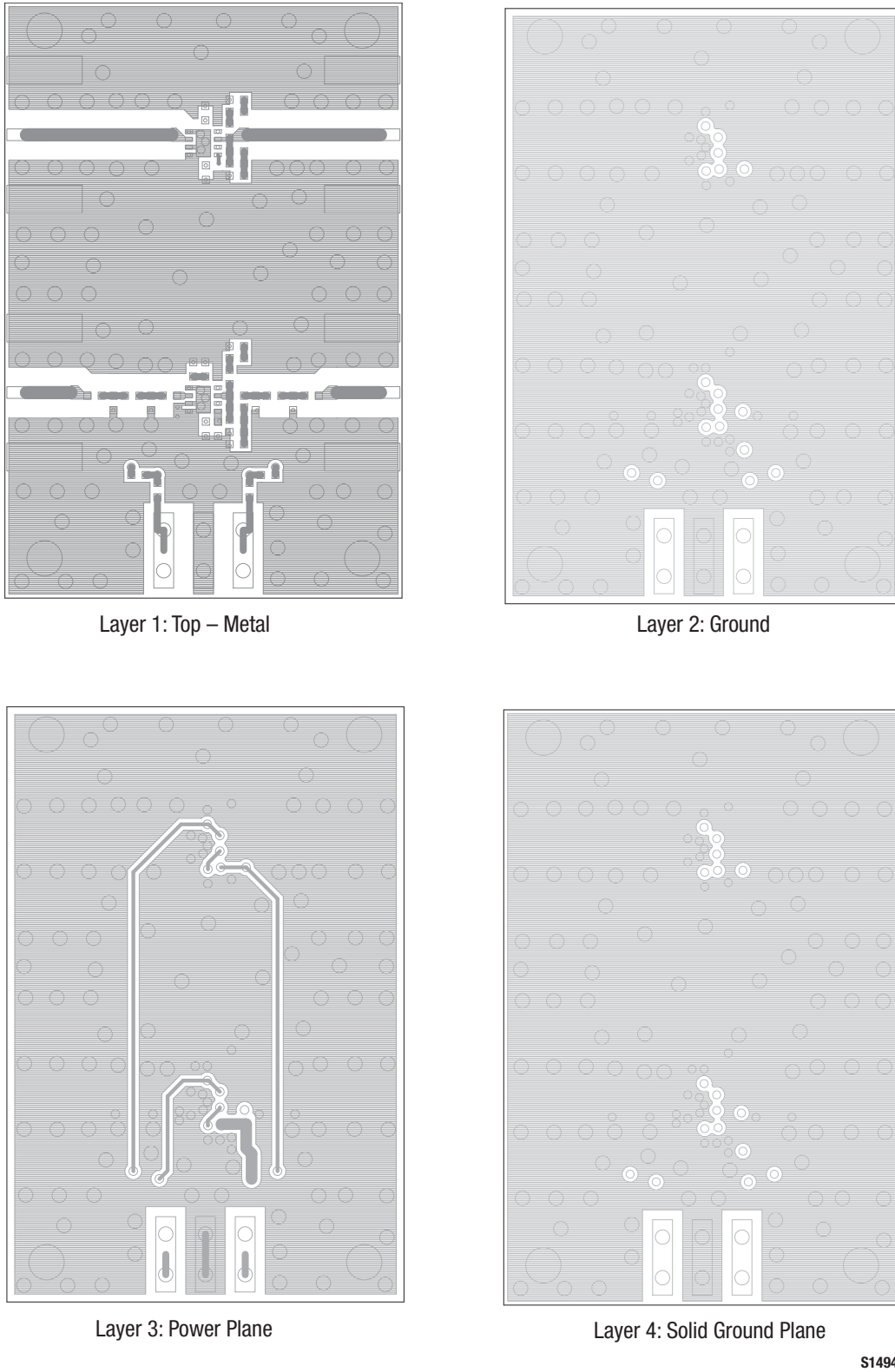
Layer 3: Power Plane



Layer 4: Solid Ground Plane

S1493

**Figure 16. SKY65047-360LF Evaluation Board Layer Detail (1575 MHz)**



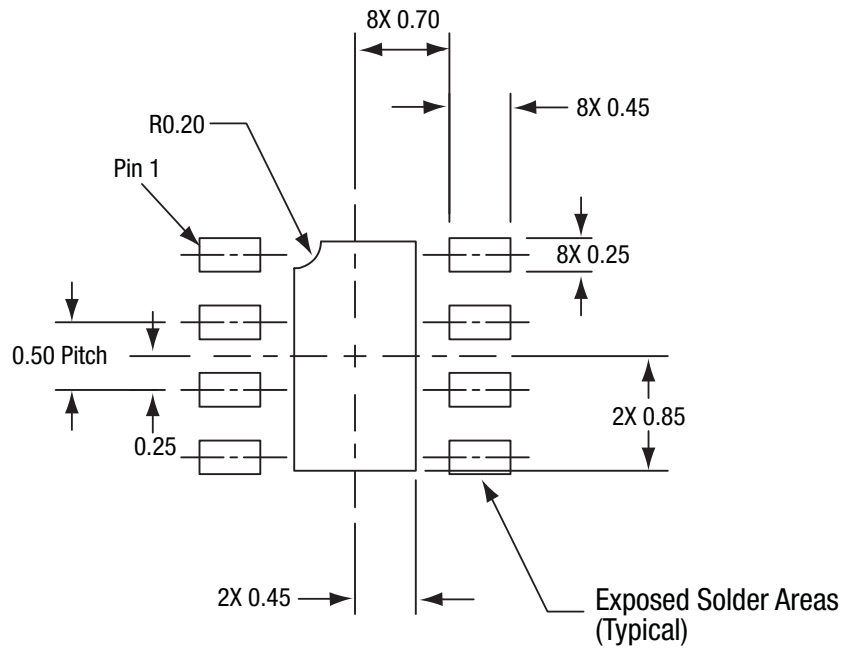
S1494

**Figure 17. SKY65047-360LF Evaluation Board Layer Detail (2450 MHz)**

| Cross Section | Name               | Thickness (mm) | Material              |
|---------------|--------------------|----------------|-----------------------|
|               | Top solder mask    |                |                       |
|               | L1                 | 0.025 min.     | Cu, 1 oz.             |
|               | Laminate           | 0.400 ± 0.025  | Rogers 4003           |
|               | L2                 | 0.025 min.     | Cu, 1 oz.             |
|               | Laminate           | 0.400 ± 0.040  | Prepreg               |
|               | L3                 | 0.025 min.     | Cu, 1 oz.             |
|               | Laminate           | 0.400 ± 0.025  | Glass reinforced core |
|               | L4                 | 0.025 min.     | Cu, 1 oz.             |
|               | Bottom solder mask |                |                       |

S1495

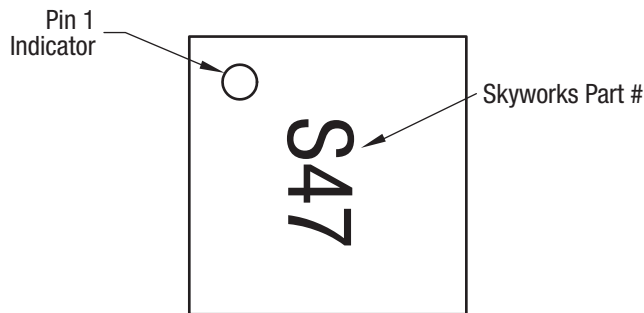
Figure 18. Layer Detail Physical Characteristics



All dimensions are in millimeters

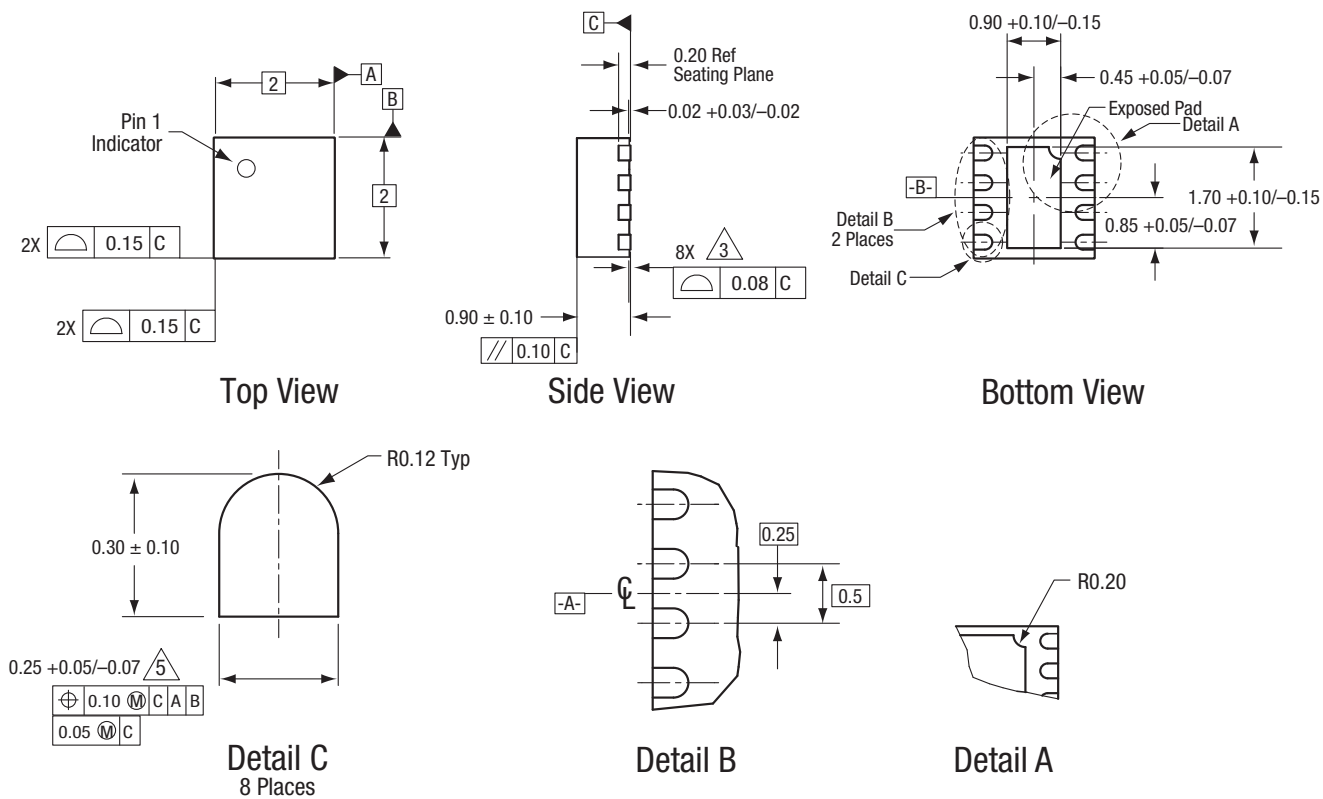
S1413

Figure 19. SKY65047-360LF PCB Layout Footprint (Top View)



S1488

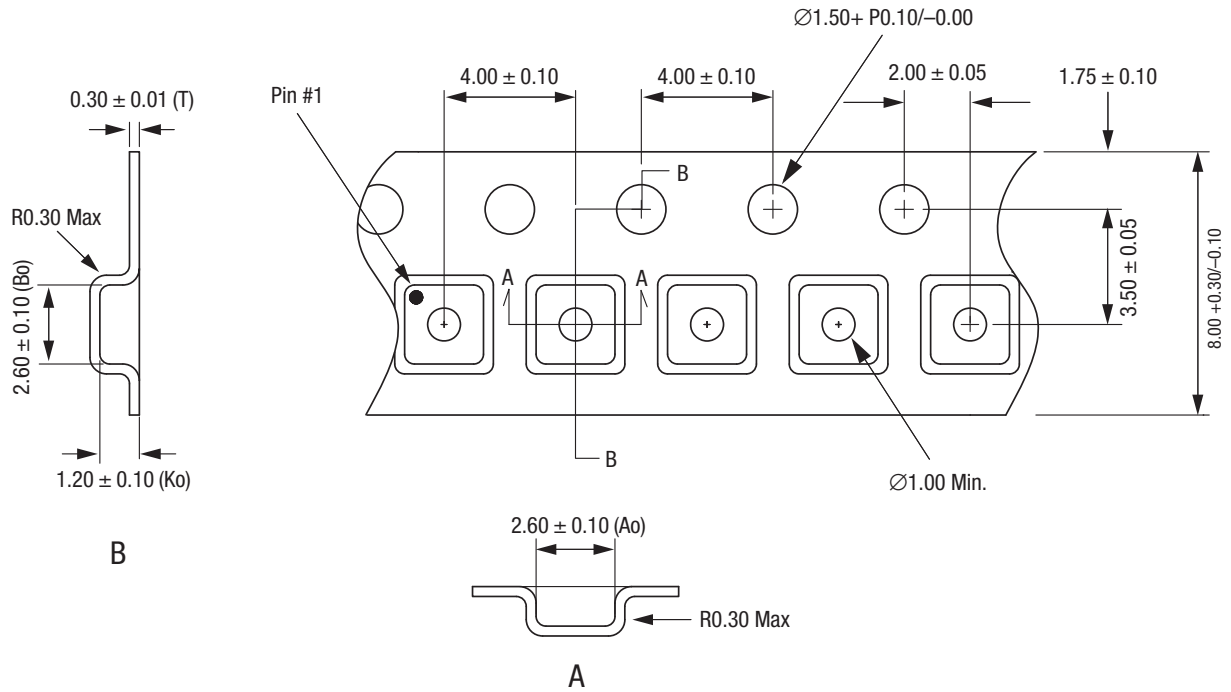
Figure 20. Typical Case Markings (Top View)



All measurements are in millimeters.  
 Dimensioning and tolerancing according to ASME Y14.5M-1994.  
 Coplanarity applies to the exposed heat sink slug as well as the terminals.  
 Plating requirement per source control drawing (SCD) 2504.  
 Dimension applies to metallized terminal and is measured between 0.15 mm and 0.30 mm from terminal tip.

S1415

Figure 21. SKY65047-360LF 8-Pin DFN Package Dimensions



- Notes:
1. Carrier tape: black conductive polystyrene.
  2. Cover tape material: transparent conductive HSA.
  3. Cover tape size: 5.40 mm width.
  4. All measurements are in millimeters.

S1480

Figure 22. SKY65047-360LF Tape and Reel Dimensions

**Ordering Information**

| Model Name                         | Manufacturing Part Number | Evaluation Board Part Number  |
|------------------------------------|---------------------------|---|
| SKY65047-360LF Low Noise Amplifier | SKY65047-360LF            | TW17-D900 (915 MHz)<br>TW17-D910 (1575 MHz)<br>TW17-D920 (2450 MHz) |

Copyright © 2009, 2010 Skyworks Solutions, Inc. All Rights Reserved.

Information in this document is provided in connection with Skyworks Solutions, Inc. (“Skyworks”) products or services. These materials, including the information contained herein, are provided by Skyworks as a service to its customers and may be used for informational purposes only by the customer. Skyworks assumes no responsibility for errors or omissions in these materials or the information contained herein. Skyworks may change its documentation, products, services, specifications or product descriptions at any time, without notice. Skyworks makes no commitment to update the materials or information and shall have no responsibility whatsoever for conflicts, incompatibilities, or other difficulties arising from any future changes.

No license, whether express, implied, by estoppel or otherwise, is granted to any intellectual property rights by this document. Skyworks assumes no liability for any materials, products or information provided hereunder, including the sale, distribution, reproduction or use of Skyworks products, information or materials, except as may be provided in Skyworks Terms and Conditions of Sale.

THE MATERIALS, PRODUCTS AND INFORMATION ARE PROVIDED “AS IS” WITHOUT WARRANTY OF ANY KIND, WHETHER EXPRESS, IMPLIED, STATUTORY, OR OTHERWISE, INCLUDING FITNESS FOR A PARTICULAR PURPOSE OR USE, MERCHANTABILITY, PERFORMANCE, QUALITY OR NON-INFRINGEMENT OF ANY INTELLECTUAL PROPERTY RIGHT; ALL SUCH WARRANTIES ARE HEREBY EXPRESSLY DISCLAIMED. SKYWORKS DOES NOT WARRANT THE ACCURACY OR COMPLETENESS OF THE INFORMATION, TEXT, GRAPHICS OR OTHER ITEMS CONTAINED WITHIN THESE MATERIALS. SKYWORKS SHALL NOT BE LIABLE FOR ANY DAMAGES, INCLUDING BUT NOT LIMITED TO ANY SPECIAL, INDIRECT, INCIDENTAL, STATUTORY, OR CONSEQUENTIAL DAMAGES, INCLUDING WITHOUT LIMITATION, LOST REVENUES OR LOST PROFITS THAT MAY RESULT FROM THE USE OF THE MATERIALS OR INFORMATION, WHETHER OR NOT THE RECIPIENT OF MATERIALS HAS BEEN ADVISED OF THE POSSIBILITY OF SUCH DAMAGE.

Skyworks products are not intended for use in medical, lifesaving or life-sustaining applications, or other equipment in which the failure of the Skyworks products could lead to personal injury, death, physical or environmental damage. Skyworks customers using or selling Skyworks products for use in such applications do so at their own risk and agree to fully indemnify Skyworks for any damages resulting from such improper use or sale.

Customers are responsible for their products and applications using Skyworks products, which may deviate from published specifications as a result of design defects, errors, or operation of products outside of published parameters or design specifications. Customers should include design and operating safeguards to minimize these and other risks. Skyworks assumes no liability for applications assistance, customer product design, or damage to any equipment resulting from the use of Skyworks products outside of stated published specifications or parameters.

Skyworks, the Skyworks symbol, and “Breakthrough Simplicity” are trademarks or registered trademarks of Skyworks Solutions, Inc., in the United States and other countries. Third-party brands and names are for identification purposes only, and are the property of their respective owners. Additional information, including relevant terms and conditions, posted at [www.skyworksinc.com](http://www.skyworksinc.com), are incorporated by reference.