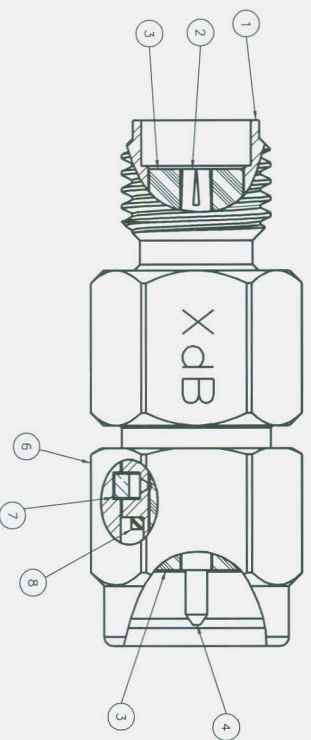
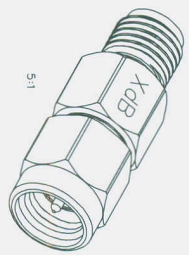
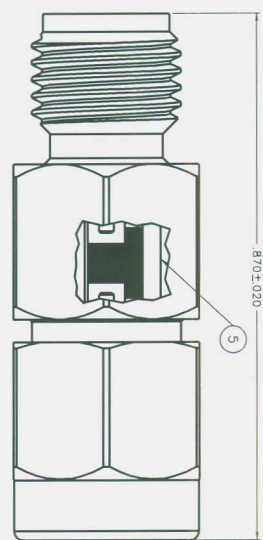


PART NUMBER	ATTENUATION	ITEM ①	ITEM ②	ITEM ③	ITEM ④	ITEM ⑤	ITEM ⑥	ITEM ⑦	ITEM ⑧
141-3901-801	1	STAINLESS STEEL	BERRILLIUM JACK	TEFLON	BRASS	THIN FILM LAMINATE	STAINLESS STEEL	BERRILLIUM COPPER	SILICONE RUBBER
141-3901-802	2	PASSIVATED	GOLD PL. 00003 MIN OVER	TEFLON	GOLD PL. 00003 MIN OVER	ALUMINA SUBSTRATE	STAINLESS STEEL	BERRILLIUM COPPER	SILICONE RUBBER
141-3901-803	3		COPPER PL. 00005 MIN						
141-3901-805	5								
141-3901-806	6								
141-3901-807	7								
141-3901-809	9								
141-3901-810	10								

REVISION	DATE	BY	DESCRIPTION
0			REVISIONS
1	5-23-08	J. H. HARRIS	REVISED TO 141-3901-801/810



dB	DC-2.5 OHM	2.5-4 OHM	4-6 OHM
1-3	1.51	1.201	1.251
4-6	1.51	1.201	1.251
7-10	1.51	1.251	1.301

AVERAGE INPUT POWER: 2W MAX AT +25°C
DERATED LINEARLY TO 0.5W MAX AT -125°C

MECHANICAL:
 MOUNTING: MIL-STD-340A SERIES SMA
 ENGAGE/DISENGAGE FORCE: 2 IN-LBS MAX
 MATING TORQUE: 8 IN-LBS MAX
 MOUNTING TORQUE: 2 IN-LBS MAX
 COUPLING NUT RETENTION: 60 LBS MIN
 DURABILITY: 500 CYCLES MIN

ENVIRONMENTAL:
 OPERATING TEMPERATURE: -25°C TO +125°C
 STORAGE TEMPERATURE: -55°C TO +125°C
 SHOCK: MIL-STD-202; METHOD 211, CONDITION B
 VIBRATION: MIL-STD-202; METHOD 215; CONDITION D

NOTES:
 1. SPECIFICATIONS
 ELECTRICAL: 50 OHMS NOMINAL
 FREQUENCY RANGE: 0-8 GHz
 ATTENUATION ACCURACY:

DATE	BY	DATE	BY
5-9-08	PAT	5-27-08	APPROVED BY
5-27-08	DATE	5-27-08	DATE
5-27-08	DATE	5-27-08	DATE

CUSTOMER DRAWING
 THE OFFICE OF THE ASSISTANT SECRETARY
 FOR ACQUISITION
 WASHINGTON, DC 20315-5000
 "ASTATION"
COMPANY CONFIDENTIAL
 Emerson
 P.O. Box 172003
 Milwaukee, WI 53217-0003
 1-800-247-8256
 TITLE: SMA 6 GHz ATTENUATOR, PLUG TO JACK
 HEX BODY
 SHEET: DRAWING NO. 141-3901-801/810