

# i.MX27 Application Development System

## User's Manual

## **How to Reach Us:**

### **Home Page:**

[www.freescale.com](http://www.freescale.com)

### **E-mail:**

[support@freescale.com](mailto:support@freescale.com)

### **USA/Europe or Locations Not Listed:**

Freescale Semiconductor  
Technical Information Center, CH370  
1300 N. Alma School Road  
Chandler, Arizona 85224  
+1-800-521-6274 or +1-480-768-2130  
[support@freescale.com](mailto:support@freescale.com)

### **Europe, Middle East, and Africa:**

Freescale Halbleiter Deutschland GmbH  
Technical Information Center  
Schatzbogen 7  
81829 Muenchen, Germany  
+44 1296 380 456 (English)  
+46 8 52200080 (English)  
+49 89 92103 559 (German)  
+33 1 69 35 48 48 (French)  
[support@freescale.com](mailto:support@freescale.com)

### **Japan:**

Freescale Semiconductor Japan Ltd.  
Headquarters  
ARCO Tower 15F  
1-8-1, Shimo-Meguro, Meguro-ku,  
Tokyo 153-0064  
Japan  
0120 191014 or +81 3 5437 9125  
[support.japan@freescale.com](mailto:support.japan@freescale.com)

### **Asia/Pacific:**

Freescale Semiconductor Hong Kong Ltd.  
Technical Information Center  
2 Dai King Street  
Tai Po Industrial Estate  
Tai Po, N.T., Hong Kong  
+800 2666 8080  
[support.asia@freescale.com](mailto:support.asia@freescale.com)

### **For Literature Requests Only:**

Freescale Semiconductor Literature Distribution Center  
P.O. Box 5405  
Denver, Colorado 80217  
1-800-441-2447 or 303-675-2140  
Fax: 303-675-2150  
[LDCForFreescaleSemiconductor@hibbertgroup.com](mailto:LDCForFreescaleSemiconductor@hibbertgroup.com)

RoHS-compliant and/or Pb-free versions of Freescale products have the functionality and electrical characteristics of their non-RoHS-compliant and/or non-Pb-free counterparts. For further information, see <http://www.freescale.com> or contact your Freescale sales representative.

For information on Freescale's Environmental Products program, go to <http://www.freescale.com/epp>.

Information in this document is provided solely to enable system and software implementers to use Freescale Semiconductor products. There are no express or implied copyright licenses granted hereunder to design or fabricate any integrated circuits or integrated circuits based on the information in this document.

Freescale Semiconductor reserves the right to make changes without further notice to any products herein. Freescale Semiconductor makes no warranty, representation or guarantee regarding the suitability of its products for any particular purpose, nor does Freescale Semiconductor assume any liability arising out of the application or use of any product or circuit, and specifically disclaims any and all liability, including without limitation consequential or incidental damages. "Typical" parameters that may be provided in Freescale Semiconductor data sheets and/or specifications can and do vary in different applications and actual performance may vary over time. All operating parameters, including "Typicals", must be validated for each customer application by customer's technical experts. Freescale Semiconductor does not convey any license under its patent rights nor the rights of others. Freescale Semiconductor products are not designed, intended, or authorized for use as components in systems intended for surgical implant into the body, or other applications intended to support or sustain life, or for any other application in which the failure of the Freescale Semiconductor product could create a situation where personal injury or death may occur. Should Buyer purchase or use Freescale Semiconductor products for any such unintended or unauthorized application, Buyer shall indemnify and hold Freescale Semiconductor and its officers, employees, subsidiaries, affiliates, and distributors harmless against all claims, costs, damages, and expenses, and reasonable attorney fees arising out of, directly or indirectly, any claim of personal injury or death associated with such unintended or unauthorized use, even if such claim alleges that Freescale Semiconductor was negligent regarding the design or manufacture of the part.

Freescale™ and the Freescale logo are trademarks of Freescale Semiconductor, Inc. All other product or service names are the property of their respective owners.

© Freescale Semiconductor, Inc. 2006. All rights reserved.

## Chapter 1 General Information

1.1	Description	1-1
1.2	MCIMX27ADSE Features	1-1
1.3	System and User Requirements	1-2
1.4	MCIMX27ADSE Diagram	1-3
1.5	ADS Specifications	1-6

## Chapter 2 Configuration and Operation

2.1	Introduction	2-1
2.2	Configuring Board Components	2-1
2.2.1	DIP Switch S7 - Li-Cell select switch	2-1
2.2.2	DIP Switch S18 - Boot Mode Switches	2-1
2.2.3	DIP Switch S9 - MC13783 USB Mode Switches	2-2
2.2.4	DIP Switch S3 - MC13783 Audio Clock Source Select	2-2
2.2.5	DIP Switch S15 - User Defined Switches	2-3
2.2.6	DIP Switch S16 - UART Enable Switches	2-3
2.2.7	Variable resistor R425 - Battery emulation output control	2-3
2.2.8	ADS Jumper Headers	2-3
2.2.9	ADS Jumper Connectors	2-4
2.3	Operation	2-5
2.3.1	Functional Block Diagram	2-5
2.3.2	ADS Memory Map	2-6
2.3.3	Peripheral Bus Control CPLD	2-6
2.3.4	On-Board Memory	2-6
2.3.5	USB On-The-Go Interface (Full Speed)	2-7
2.3.6	USB On-The-Go Interface (High Speed)	2-8
2.3.7	USB Host Interface (High Speed)	2-8
2.3.8	USB Host Interface (Full Speed)	2-9
2.3.9	UART (Internal) and IrDA Interfaces	2-9
2.3.10	External Ethernet Interface (10BASE-T)	2-10
2.3.11	Fast Ethernet Controller (FEC) Interface	2-11
2.3.12	1-Wire EEPROM	2-11
2.3.13	Power management and Audio Chip	2-12
2.3.14	Audio Indicator (Buzzer)	2-12
2.3.15	LED Indicators	2-13
2.4	Add-On Module Connections and Usage	2-14
2.4.1	Using a NAND Flash Card	2-14
2.4.2	Using a TFT LCD Display Panel	2-14
2.4.3	Using a Keypad	2-15
2.4.4	Using an Image Sensor Module	2-17
2.4.5	Using a TV Encoder Card	2-17
2.4.6	Using Plug-in Memory Cards	2-18
2.4.7	Using a Plug-in PCMCIA Card	2-19
2.4.8	Using a Mini ATA hard Drive	2-19

2.4.9	Using an ETM Connector . . . . .	2-19
2.4.10	Using a Samtec Logic Analyzer Connectors . . . . .	2-19

## Chapter 3 Support Information

3.1	Introduction . . . . .	3-1
3.2	Logic Analyzer Connectors . . . . .	3-1
3.3	UART/RS-232 Connectors . . . . .	3-5
3.3.1	UARTA Connector . . . . .	3-6
3.3.2	UARTB Connector . . . . .	3-6
3.3.3	External UART Connector . . . . .	3-7
3.4	Multi-ICE Connector . . . . .	3-7
3.5	Ethernet Connector . . . . .	3-8
3.6	FET Connector . . . . .	3-9
3.7	USB OTG Connectors . . . . .	3-9
3.8	USB Host Connectors . . . . .	3-10
3.9	NAND Flash Connectors . . . . .	3-11
3.10	External Keypad Connector . . . . .	3-13
3.11	LCD Panel Connector . . . . .	3-14
3.12	TV Encoder Connector . . . . .	3-15
3.13	SD/MMC Connectors . . . . .	3-16
3.14	Memory Stick Connector . . . . .	3-17
3.15	PCMCIA Connector . . . . .	3-17
3.16	ATA Connector . . . . .	3-20
3.17	ETM Connector . . . . .	3-22
3.18	CPLD Programming Connector . . . . .	3-24
3.19	Audio Jacks . . . . .	3-24
3.20	Extension and Image Sensor Connectors . . . . .	3-26

## About This Book

This manual explains how to connect and operate the i.MX27 Application Development System (MCIMX27ADSE).

## Audience

The audience for this manual is handheld communication device designers. It is assumed that users are engineers or technicians with experience using development systems.

## Organization

The manual consists of three chapters.

- Chapter 1 General Information introduces the user to the features and capabilities of the ADS.
- Chapter 2 Configuration and Operation contains configuration information, connection descriptions, and other operational information that may be useful during the development process.
- Chapter 3 Support Information contains connector pin assignments, connector signal descriptions, and other useful information about the ADS.

## Revision History

The following table summarizes changes to this document since the previous release (Rev. A).

**Table 0-1. Revision History**

Revision	Description
A	First release

## Conventions

Units and measures in this manual conform to the International System of Units (SI) as defined by National Institute of Standards and Technology Special Publication 811.

## Disposal Information

This symbol means this product may be subject to special disposal requirement.




For product disposal information, please refer to <http://www.freescale.com/productdisposal>.

## Definitions, Acronyms, and Abbreviations

The following acronyms and abbreviations are used in this manual. This list does not include signal, register, and software mnemonics.

ADS	Application Development System
ATA	Advanced Technology Attachment
CD	Compact Disk
CMOS	Complementary Metal Oxide Semiconductor
CODEC	Code/Decode
CPLD	Complex Programmable Logic Device
CPU	Central Processing Unit
DCE	Data Communications Equipment
DDR-SDRAM	Double Data Rate-Synchronous DRAM
DIN	Deutsches Institut für Normung
DIP	Dual In-line Package
DTE	Data Terminal Equipment
DUART	Dual Universal Asynchronous Receiver/Transmitter
ETM	Embedded Trace Macrocell
I <sup>2</sup> C	Inter-Integrated Circuit
ICE	In-Circuit Emulator
I/O	Input/Output
IrDA	Infrared Data Association
JTAG	Joint Test Access Group
LCD	Liquid Crystal Display
LED	Light Emitting Diode
MB	Megabyte
MCU	Microcontroller Unit
MCP	Multi-chip package
Mini-AB	USB receptacle for mini-A plug and mini-B plug
MMC	Multi-media Card
MS	Memory Stick
NAND	Negative AND
NVDD	Noisy Supply
OTG	On the Go
PC	Personal Computer
PCMCIA	Personal Computer Memory Card International Association



PSRAM	Pseudo Static RAM
SD	Secure Digital
SDRAM	Synchronous Dynamic Random Access Memory
SI	System International (international system of units and measures)
SPST SW	Single Pole Single Throw Switch
SSI	Synchronous Serial Interface
TFT	Thin Film Transistor
UART	Universal Asynchronous Receiver/Transmitter
USB	Universal Serial Bus
USB OTG	Universal Serial Bus On-The-Go
VDC	Volts Direct Current



# Chapter 1 General Information

## 1.1 Description

The i.MX27 Application Development System (MCIMX27ADSE) is a development tool which is designed to run software applications designed for i.MX27 microcontroller unit.

The MCIMX27ADSE includes a main board, an LCD display panel, a keypad, a NAND flash card, an image sensor, a TV encoder card, etc. It supports application software, target-board debugging or optional extra memory.

## 1.2 MCIMX27ADSE Features

ADS features include:

- i.MX27 Multimedia Application Processor
- Two clock-source crystals, 32.000 KHz and 26 MHz
- Power management & Audio IC (MC13783) included battery changing, 10bit ADC, buck switchers, boost switcher, regulators, amplifiers, CODEC, SSI audio bus, real time clock, SPI control bus, USB OTG transceiver & touchscreen interface
- Multi-ICE debug support
- Two 512Mbit DDR-SDRAM devices, configured as one 128MB, 32-bit device
- One 256Mbit Burst Flash with 128Mbit Pseudo Static RAM (PSRAM) memory device, configured as one 16MB flash with 8MB PSRAM, 16-bit device
- An single board system with connections for LCD display panel, Keypad and Image sensor.
- Complex Programmable Logic Device (CPLD) for reducing the glue logics
- Software readable board revisions
- Configuration and user definable DIP switches
- Two SD/MMC, MS memory card connectors
- PCMCIA & ATA Hard Disk Drive (HDD)
- Two RS-232 transceivers and DB9 connectors (one configured for DCE and one for DTE operation) supporting on-chip UART ports
- External UART with RS-232 transceiver and DB9 connector
- Infrared transceiver that conforms to Specification 1.4 of the Infrared Data Association
- USB Host (HS & FS), USB OTG (HS & HS) interface
- Separate LCD panel assembly that connects to the main board
- Separate keypad unit with 36 push button keys
- Separate CMOS Image Sensor Card

- A 3.5 mm headset jack, a 3.5 mm line out jack, a 3.5 mm line in jack, a 3.5 mm microphone jack and a 2.5 mm microphone and headset jack
- Cirrus Logic CS8900A-CQ3Z Ethernet controller (10BASE-T), with RJ-45 connector
- AMD AM79C874 NetPHY (10BASE-T & 100BASE-X), with RJ-45 connector
- Two 32 × 3-pin DIN expansion connectors with most i.MX27 I/O signals
- Variable resistor for emulation of a battery voltage level
- NAND Flash card (Plugs into Main Board) which is included in the ADS kit
- LED indicators for power, Ethernet activity, and two LEDs for user defined status indication
- Universal power supply with 5 volt output @ 5 Amperes
- USB cable
- RS-232 serial cable
- Two RJ-45 Ethernet cables, network, and crossover

### 1.3 System and User Requirements

To use the ADS, you need:

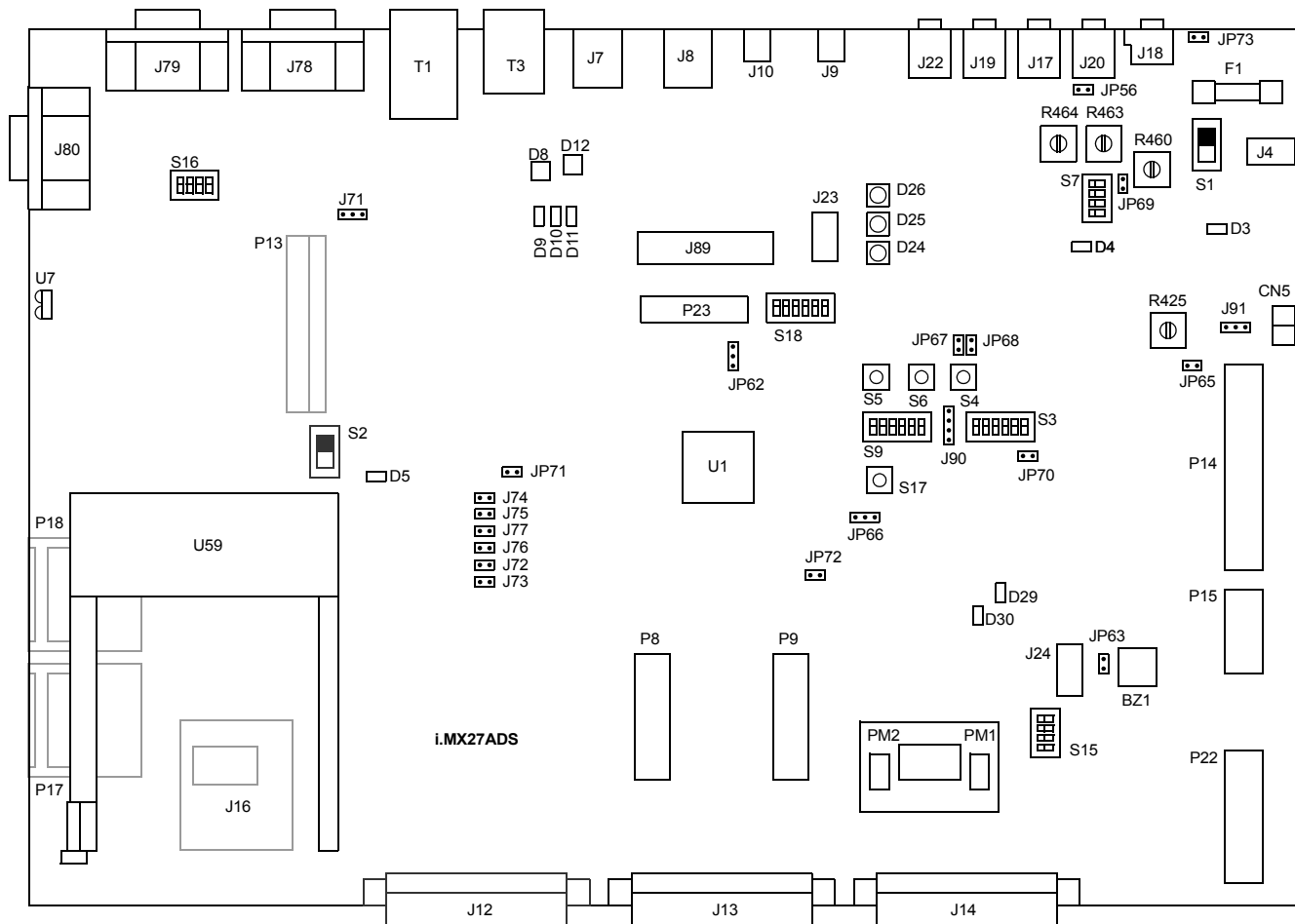
- An IBM PC or compatible computer that has:
  - A Windows® 98, Windows ME™, Windows XP™, Windows 2000, or Windows NT® (version 4.0) operating system
  - A parallel port
- A Multi-ICE device (not included with your ADS)
- A 5 VDC power supply @ 5A, with a 2 mm female (inside positive) power connector (included in your ADS)

#### **CAUTION**

Never supply more than 5.5 volt power to your MCIMX27ADSE. Doing so can damage board components.

## 1.4 MCIMX27ADSE Diagram

Figure 1-1 shows the connectors and other major parts of the ADS.



**Figure 1-1. MCIMX27ADSE Application Development System**

Important components on the top side of ADS are:

- BZ1 — Buzzer
- CN5 — Battery connector
- D3 — 5 volt power LED (green)
- D4 — MC13783 power LED (green)
- D5 — Hard disk power LED (green)
- D8, D12— Ethernet activity LEDs (Dual color LED, green and orange)
- D9, D10, D11 — Ethernet activity LEDs (green)
- D15 — Trickle charge LED (green)
- D24, D25, D26 — Tri-Color LED for MC13783
- D29, D30 — General-purpose LEDs (orange)
- F1 — 5A Fuse

## General Information

- J4 — 5 volt input power connector
- J7 — USB HOST2 (High Speed) connector
- J8 — USB HOST1 (Full Speed) connector
- J9 — USB OTG (High Speed) connector
- J10 — USB OTG (Full Speed) connector
- J12 — Connector to an Image Sensor card
- J13, J14 — I/O Extension connectors
- J17 — Microphone 1 In to MC13783
- J18 — Microphone and Headset to MC13783
- J19 — Headset to MC13783
- J20 — Line out to MC13783
- J22 — Line in to MC13783
- J23 — A/D connector for MC13783
- J24 — CPLD In-Circuit-Programming connector
- J71 — EEPROM enable for external ethernet controller
- J72-J77 — SD/MMC2 enable jumpers
- J78 — RS-232 DB9 connector for UARTA, DCE pinout
- J79 — RS-232 DB9 connector for UARTB, DTE pinout
- J80 — RS-232 DB9 connector for the External UART, DCE pinout
- J89 — ARM<sup>®</sup> Multi-ICE connector
- J90 — External audio amplifier connector
- J91 — Battery select
- JP56 — Charging enable
- JP62 — One wire interface
- JP63 — Buzzer enable
- JP65 — Battery emulation enable
- JP66 — Fuse voltage select for CPU
- JP67 — Handset loudspeaker amplifier output connector
- JP68 — Handset earpiece speaker amplifier output connector
- JP69 — External Li-Cell connector
- JP70 — External audio bus clock input connector
- JP71, JP72 — 1.8V (NVDD2~4) Power enable for logic analyzer connector (P8, P9)
- JP73 — Jumper for microphone input
- P8, P9 — connections to Logic Analyzer
- P14 — LCD panel connector
- P15 — TV Encoder connector
- P22 — Keypad module connector

- P23 — Embedded Trace Macrocell (ETM) connector
- PM1 & PM2 — NAND Flash card connectors
- R425 (Variable resistor) — Adjust the voltage level of the battery emulation regulator
- R460 (Variable resistor) — Adjust the discharge rate for the Super Capacitor (SC1)
- R463 (Variable resistor) — Adjust the charge rate for the Super Capacitor (SC1)
- R464 (Variable resistor) — Adjust the peak charge for the Super Capacitor (SC1)
- S1 — 5V Power switch
- S2 — 3.3V Power switch for Hard Disk Drive
- S3 — Audio Clock Select DIP switches
- S4 — Power button for MC13783
- S5 — Accessory Power button for MC13783
- S6 — Third Power button for MC13783
- S7 — Li-Cell Select for MC13783
- S9 — MC13783 USB mode select
- S15 — User define DIP switches
- S16 — UART enable DIP switches
- S17 — Reset button
- S18 — Boot mode, JTAG Control DIP switches
- T1 — RJ-45 External Ethernet connectors (10BASE-T)
- T3 — RJ-45 Ethernet connectors (10/100BASE-T)
- U1 — i.MX27 MCU
- U7 — IrDA transceiver
- U59 — PCMCIA socket

Important components on the bottom side of ADS are:

- J16 — Memory Stick card connector
- P13 — ATA Hard Disk Drive Connector
- P17 — SD/MMC1 card connector
- P18 — SD/MMC2 card connector
- J92 — USB OTG (Full Speed) connector for MC13783

## 1.5 ADS Specifications

Table 1-1 shows MCIMX27ADSE specifications.

**Table 1-1. Specifications**

Characteristic	Specifications
Clock speed	CPU 400MHz, System 133MHz
Ports	10/100Base-T (RJ-45), RS-232 serial, USB HOST, USB OTG
Temperature: operating storage	0° to +50° C -40° to +85° C
Relative humidity	0 to 90% (noncondensing)
Power requirements	4.75V — 5.25 VDC @ 5A
Dimensions	12 x 8.5 in (30.5 x 21.6 cm)

## Chapter 2 Configuration and Operation

### 2.1 Introduction

This section consists of configuration information, connection descriptions, and other operational information that may be useful during the development process.

### 2.2 Configuring Board Components

#### 2.2.1 DIP Switch S7 - Li-Cell select switch

The four Single Pole Single Throw (SPST) slide switches of S7 control MC13783 back-up power. Table 2-1 shows valid switch combinations (other combinations must not be used). The Super Cap backup source is on the board. Set S7-1 and S7-3 to ON to charge the Super Cap. Variable resistor (R464) controls peak charge and variable resistor (R463) controls charge rate. Set S7-3 to OFF when charging is complete. Set S7-4 to ON to allow the Super Cap to discharge. The rate of discharge is controlled by R460. Connection to an external lithium cell is optional. If a lithium cell is used, it must be connected to JP69 and S7-2 must be set to ON. Otherwise S7-2 must be OFF.

**Table 2-1. Li-Cell select switch**

Function	S7-1	S7-2	S7-3	S7-4
Charge Super Cap (SC1)	ON	OFF	ON	OFF
Hold Charge (default factory setting)	ON	OFF	OFF	OFF
Discharge Super Cap (SC1)	ON	OFF	OFF	ON
External Li-Cell (JP69)	OFF	ON	OFF	OFF

#### 2.2.2 DIP Switch S18 - Boot Mode Switches

S18-1 to S18-4 settings determine where the processor begins program execution. Table 2-2 shows all valid combinations of the switches. Other combinations are reserved.

**Table 2-2. Boot Mode Switch Settings**

Boot Mode	Boot0 S18-1	Boot1 S18-2	Boot2 S18-3	Boot3 S18-4
Bootstrap (USB/UART), default factory setting	ON	ON	ON	ON
8 bit, 2K byte, NAND flash	ON	OFF	ON	ON
16 bit, 2K byte, NAND flash	OFF	OFF	ON	ON
16 bit, 512 Byte, NAND flash	ON	ON	OFF	ON
16 bit CS0 at D[15:0], NOR flash	OFF	ON	OFF	ON
32 bit CS0 at D[31:0], NOR flash	ON	OFF	OFF	ON
8 bit 512 Byte, NAND flash	OFF	OFF	OFF	ON

S18-5 selects the JTAG operation mode and S18-6 is reserved. Table 2-3 shows the functionality.

**Table 2-3. S18-5 and S18-6 Switch Settings**

Switch Name	Setting	Effect
S18-5, JTAG_CTRL	ON	Internal test only.
	OFF	ARM Multi-ICE mode selected after TRST; default factory setting.
S18-6, NC	-	No Connection

### 2.2.3 DIP Switch S9 - MC13783 USB Mode Switches

S9-1 to S9-4 control USB port functions. Table 2-4 shows the valid switch combinations.

**Table 2-4. MC13783 USB Mode Switches**

USB Mode Select	S9-1	S9-2	S9-3	S9-4
Differential, Unidirectional (6 wire)	OFF	OFF	ON	OFF
Differential, Bidirectional (4 wire)	ON	OFF	OFF	ON
Single Ended, Unidirectional (6 wire)	OFF	ON	OFF	ON
Single Ended, Bidirectional (4 wire)	OFF	OFF	OFF	ON

S9-5 ON disables the MC13783’s USB OTG transceiver, OFF enables it. This device is disabled in the default factory setting. S9-6 is not used in the ADS.

#### NOTE

The MC13783 OTG transceiver disconnects from i.MX27 CPU by RP24 and RP25. Because Philips ISP1301 (U37) is the default OTG transceiver in the ADS. If the user needs to use the USBOTG connector (J92), RP24 and RP25 needs to be installed and RP3-5 and RP11-12 removed

### 2.2.4 DIP Switch S3 - MC13783 Audio Clock Source Select

The six SPST slide switches in S3 control the source of the CLIA and CLIB audio bus clock inputs of the MC13783. Table 2-5 and Table 2-6 show the valid switch functions.

**Table 2-5. MC13783 CLIA Source Select**

CLIA clock source	S3-1	S3-3	S3-5
CLKO (Pin AD17 of MX27, U1); default factory setting.	ON	OFF	OFF
On-board 26MHz oscillator (Y9)	OFF	ON	OFF
External clock input from JP70	OFF	OFF	ON

**Table 2-6. MC13783 CLIB Source Select**

CLIB clock source	S3-2	S3-4	S3-6
CLKO (Pin AD17 of MX27, U1); default factory setting.	ON	OFF	OFF
On-board 26MHz oscillator (Y9)	OFF	ON	OFF
External clock input from JP70	OFF	OFF	ON



## 2.2.5 DIP Switch S15 - User Defined Switches

Table 2-7 shows S15 switch functions. The settings of the four SPST slide switches in S15 may be read by software to implement user-defined functions. The switch settings are read on data bits D[3:0].

**Table 2-7. S15 Switch Settings**

Switch Designation	Setting	Effect
S15-[4:1]	ON	D[3:0] reads zero.
	OFF	D[3:0] reads one.

## 2.2.6 DIP Switch S16 - UART Enable Switches

Table 2-8 shows S16 switch functions. It controls the power up status of the UART's transceiver and the UARTA transceiver baud rate.

**Table 2-8. S16 UART Enable Switches function**

Switch Designation	Setting	Effect
S16-1, UARTA_EN	ON	UARTA transceiver is enabled; default factory setting.
	OFF	UARTA transceiver is disabled.
S16-2, UARTA_SHDN	ON	UARTA transceiver is in shutdown mode.
	OFF	UARTA transceiver is in wake up mode; default factory setting.
S16-3, UARTA_MBAUD	ON	UARTA baud rate limits to 250Kbps; default factory setting.
	OFF	UARTA baud rate limits to 1Mbps.
S16-4, UARTB_EN	ON	UARTB transceiver is enabled; default factory setting.
	OFF	UARTB transceiver is disabled.

## 2.2.7 Variable resistor R425 - Battery emulation output control

In ADS, many circuits are supplied by the battery emulation circuit. This variable resistor (R425) is used to adjust the output voltage of the battery emulation circuit. It turns to around 4V in the default factory setting. This voltage can measure by a voltmeter in the test point TL79.

## 2.2.8 ADS Jumper Headers

Table 2-9 explains the ADS jumpers.

**Table 2-9. ADS Jumper Headers**

Jumper Designation	Pin Connection	Effect
Enable EEPROM for external ethernet controller, J71	1-2	Enable the EEPROM (U45) for the External Ethernet; default factory setting.
	2-3	Disable the EEPROM (U45) for the External Ethernet.
SD/MMC2 enable jumpers, J72-J77	1-2	Enable the SD/MMC2.

**Table 2-9. ADS Jumper Headers (continued)**

Jumper Designation	Pin Connection	Effect
Battery Select, J91	1-2	Selects the on-board battery emulator; default factory setting.
	2-3	Select the external battery power from CN5
One Wire EEPROM Enable, JP62	1-2	Enable one wire EEPROM.
	2-3	Enable RTCK function in JTAG; default factory setting.
Buzzer Enable, JP63	1-2	Enable the buzzer. Jumper in is the default factory setting.
Battery Emulation Enable, JP65	1-2	Connect 5V power source to battery emulation circuit. Jumper in is the default factory setting.
Fuse Voltage Select, JP66	1-2	Select 1.8V for fuse read operation; default factory setting
	2-3	Select 3.15V for fuse program operation
Logic Analyzer power enable, JP71	1-2	Enable the NVDD2~4 in Logic Analyzer Connector P8
Logic Analyzer power enable, JP72	1-2	Enable the NVDD2~4 in Logic Analyzer Connector P9

## 2.2.9 ADS Jumper Connectors

Table 2-10 describes the ADS jumper connectors

**Table 2-10. ADS Jumper Connectors**

Jumper Designation	Pin	Description
External Amplifier, J90	1	Low power left channel audio output
	2,3	No Connection
	4	Low power voice codec channel output
Handset loudspeaker output, JP67	1	Handset loudspeaker amplifier positive output.
	2	Handset loudspeaker amplifier negative output.
Handset earpiece speaker amplifier output, JP68	1	Handset earpiece speaker amplifier positive output.
	2	Handset earpiece speaker amplifier negative output.
External Li-Cell header, JP69	1	Connect to the positive terminal of external Li-Cell.
	2	Connect to the negative terminal of external Li-Cell.
External Audio Clock In, JP70	1	External clock input for MC13783 audio bus
	2	Ground
External Microphone In, JP73	1	External microphone input for MC13783 MC2IN
	2	Ground

## 2.3 Operation

This section explains how the system functions and how to use the boards.

### 2.3.1 Functional Block Diagram

Figure 2-1 is an ADS block diagram.

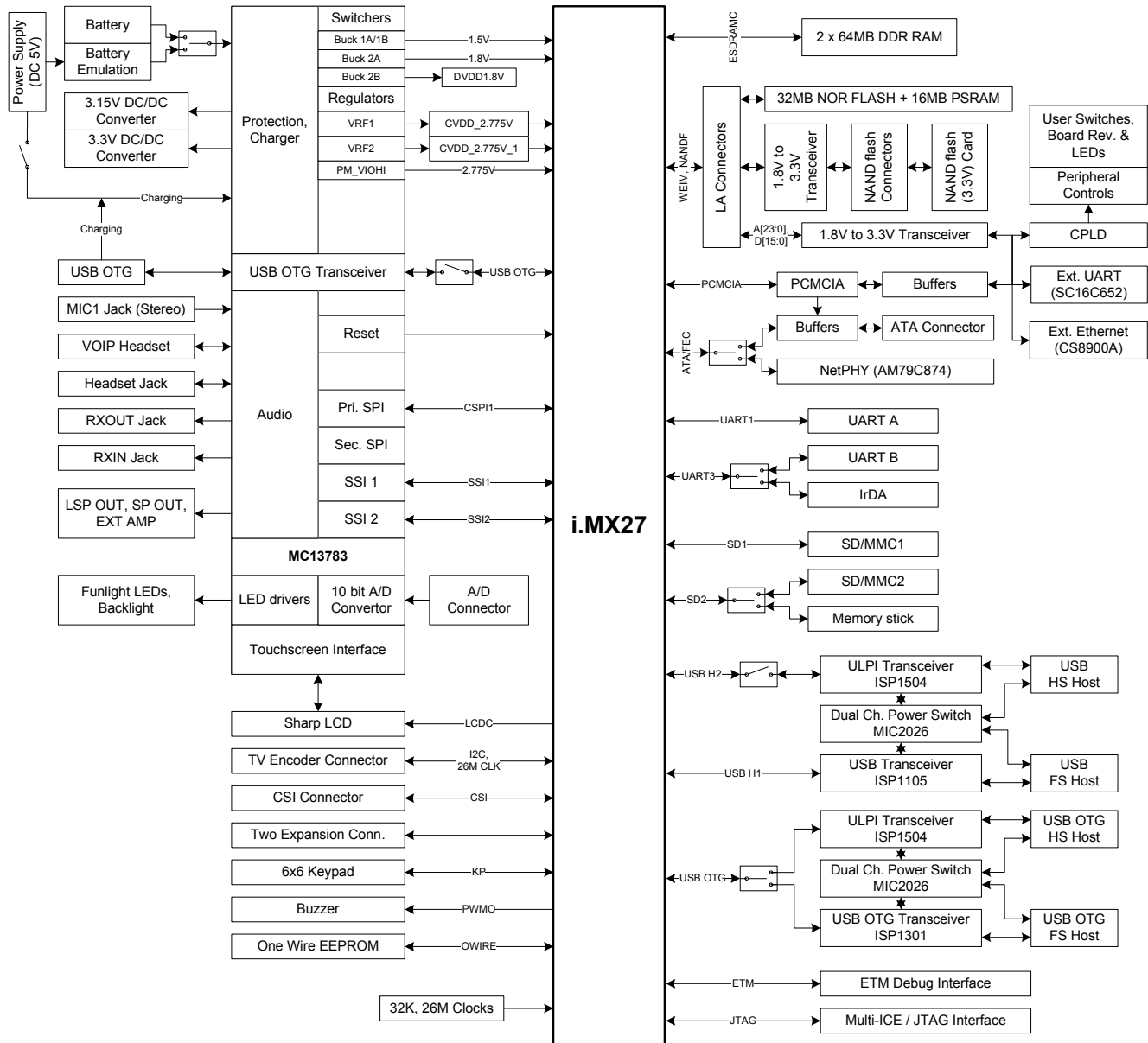


Figure 2-1. Functional Block Diagram of MCIMX27ADSE

### 2.3.2 ADS Memory Map

Table 2-11 shows the memory map for the ADS. None of the peripherals take up the entire address space of the associated chip selects. Software can access the same physical memory location at more than one range of addresses. For instance, DDR SDRAM occupies only 128M Byte of the 256M Byte space available to CSD0, so it appears in two different ranges of addresses.

**Table 2-11. ADS Memory Map**

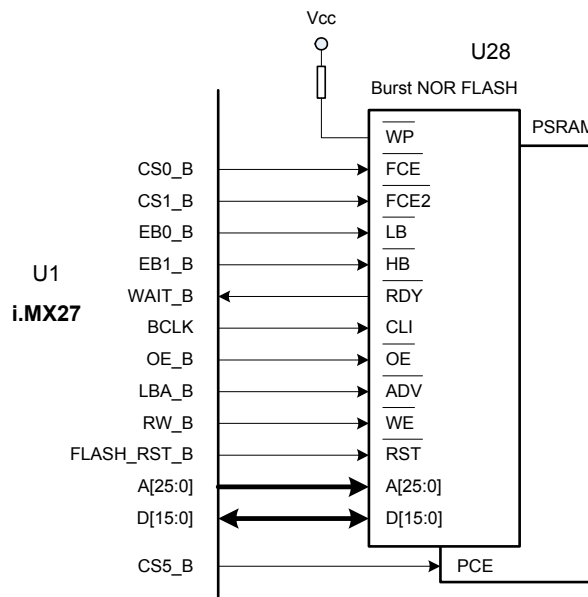
Peripheral	Chip Select	Address Range (Hex)	Memory Size (Byte)
DDR SDRAM	CSD0	0xA0000000 - 0xA7FFFFFF	128M
Burst FLASH	CS0	0xC0000000 - 0xC1FFFFFF	32M
PSRAM	CS5	0xD6000000 - 0xD0FFFFFF	16M
CPLD	CS4	0xD4000000 - 0xD5FFFFFF	-
External Ethernet Controller	CS4	0xD4000000 - 0xD5FFFFFF	-
External UART	CS4	0xD4000000 - 0xD5FFFFFF	-

### 2.3.3 Peripheral Bus Control CPLD

Please refer to the CPLD document (Peripheral Bus Control CPLD\_BONO\_ADS.doc) for the details. The document can be found in the Documentation CD inside the ADS kit.

### 2.3.4 On-Board Memory

The ADS has several on-board memory devices. A single Multi-chip package (MCP) U28 contains both a 16M x 16 Burst NOR Flash and a 8M x16 Burst PSRAM (see Figure 2-2). The ADS is also equipped with a 32M x 32 DDR SDRAM (see Figure 2-3) made up of two 32M x 16 parts (U20 and U21). A plug-in NAND flash card with 1G bit storage capacity and a 8-bit data bus interface is also included.



**Figure 2-2. Burst Flash Interface**

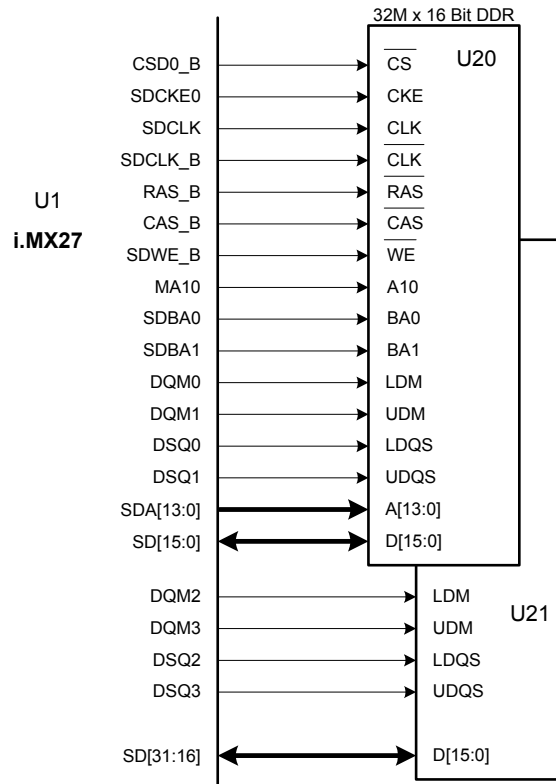


Figure 2-3. DDR SDRAM Interface

### 2.3.5 USB On-The-Go Interface (Full Speed)

The ADS provides a USB On-The-Go (OTG) Full Speed interface that uses a Phillips ISP1301BS USB transceiver connected to J10, a mini AB USB connector. The interface can function as either a USB host or USB device. The interface provides power to the USB bus in host mode. This power may be supplied by the Phillips part or from the external 5 volt power source through a MIC2536 power switch. For details on the operation of this USB interface, refer to the i.MX27 data sheet. Figure 2-4 shows this USB interface connection.

Note that another USB OTG transceiver is reserved in the ADS which provides by MC13783 (U86). In the default factory setting, it disconnects from CPU by zero ohm resistor packs (RP24 and RP25). This transceiver is reserved for some users to evaluate the MC13783 (U86).

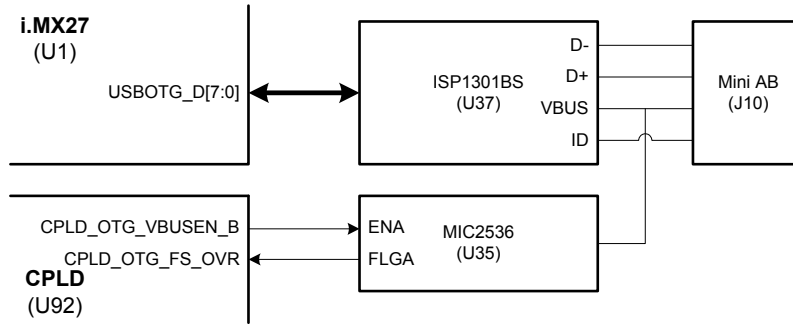


Figure 2-4. USB OTG (FS) Interface

### 2.3.6 USB On-The-Go Interface (High Speed)

The ADS provides a USB On-The-Go (OTG) High Speed (480M bps) interface that uses a Phillips ISP1504 USB ULPI transceiver connected to J9, a mini AB USB connector. It can also operate at Full Speed (12M bps). The interface can function as either a USB host or USB device. The interface provides power on the USB bus in host mode. This power may be supplied by the Phillips part or from the external 5 volt power source through a MIC2536 power switch. For details on the operation of this USB interface, refer to the i.MX27 data sheet. Figure 2-5 shows this USB interface connection.

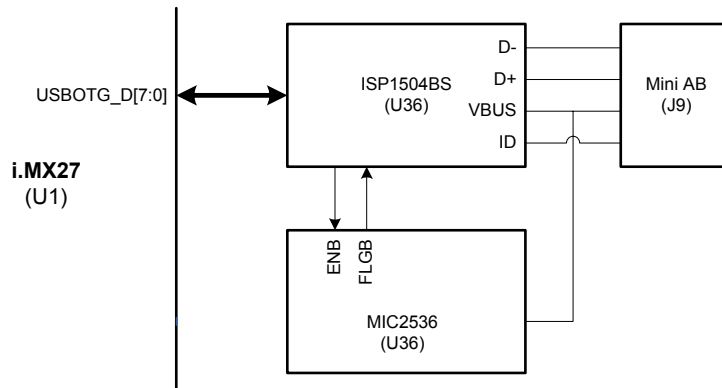


Figure 2-5. USB OTG (HS) Interface

#### NOTE

Due to the pin conflict with the USBOTG (FS) interface, RP11 and RP12 must be removed before enable this device.

### 2.3.7 USB Host Interface (High Speed)

The ADS provides a USB High Speed (480M bps) interface that uses a Phillips ISP1504 USB ULPI transceiver connected to a type A USB connector, J7. It can also operate at Full Speed (12M bps). The interface can function only as a USB host. The interface provides power on the USB bus. This power may

be supplied by the Phillips part or from the external 5 volt power source through a MIC2536 power switch. For details on the operation of this USB interface, refer to the i.MX27 data sheet. Figure 2-6 shows the USB HOST interface connection.

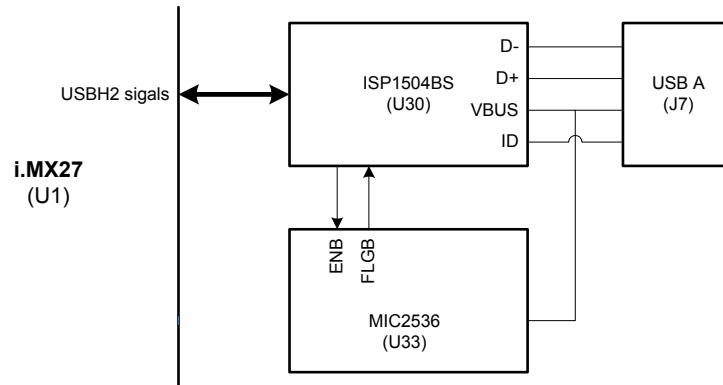


Figure 2-6. USB Host (HS) Interface

### 2.3.8 USB Host Interface (Full Speed)

The ADS provides a USB HOST interface that uses a Phillips ISP1105W USB transceiver connected to a type A USB connector, J8. The interface can function only as a USB host. The interface provides power on the USB bus. This power is supplied by from the external 5 volt power source through a MIC2536 power switch. For details on the operation of this USB interface, refer to the i.MX27 data sheet. Figure 2-7 shows the USB interface connection.

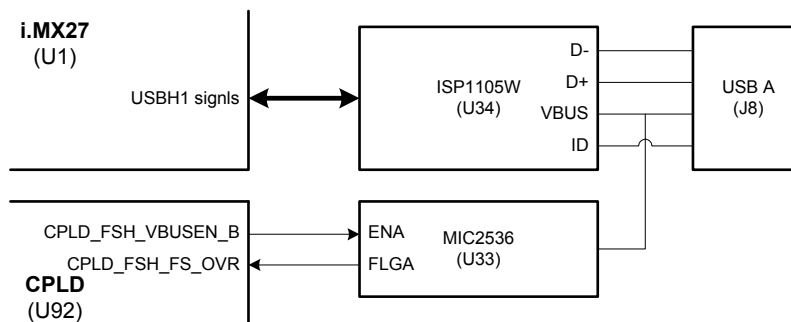


Figure 2-7. USB Host (HS) Interface

### 2.3.9 UART (Internal) and IrDA Interfaces

The ADS has two RS-232 compatible UART Interfaces that service the internal UARTs of the i.MX27. UARTA is DCE and UARTB is DTE. Both UARTs have full modem signals support. These two interfaces connect to UART1 and UART3 signals from i.MX27.

There is also a FIR (Fast Infra Red) transceiver connected to UART3 of the i.MX27 which shares with the UARTB. The UART Transceivers can be enabled on power up based on S16 DIP switch settings. Mux and enable controls of IrDA can be software controlled through the CPLD.

Figure 2-8 shows how the UART and IrDA circuits are connected.

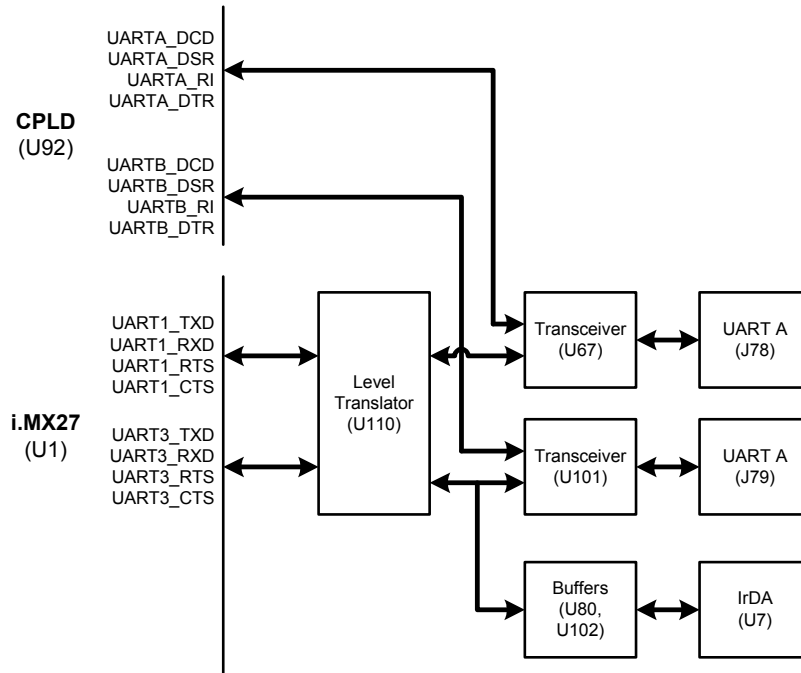


Figure 2-8. UARTs and IrDA Interface

### 2.3.10 External Ethernet Interface (10BASE-T)

The ADS is equipped with a Cirrus Logic CS8900A Crystal LAN ISA Ethernet Controller. The CS8900A has a 10BaseT transmit and receive filters. The interface can operate in interrupt-driven mode and perform DMA transfers. The Chip-select function is controlled by CPLD logic. Figure 2-9 shows the Ethernet interface.

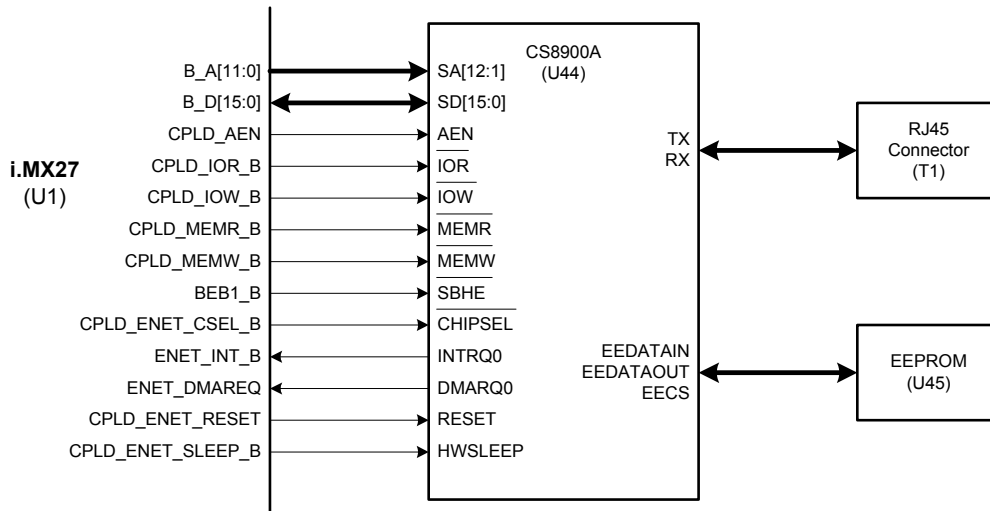


Figure 2-9. External Ethernet Interface



### 2.3.11 Fast Ethernet Controller (FEC) Interface

The ADS provides a Ethernet interface (10/100BASE-T) that uses an AMD AM79C874VD transceiver connected to an RJ45 connector, T3. It can operate on 10MHz and 100Mbps Ethernet / IEEE 802.3 networks. The FEC supports 10/100Mbps MII and 10Mbps-only 7-wire interface. Figure 2-10 shows the USB HOST interface connection.

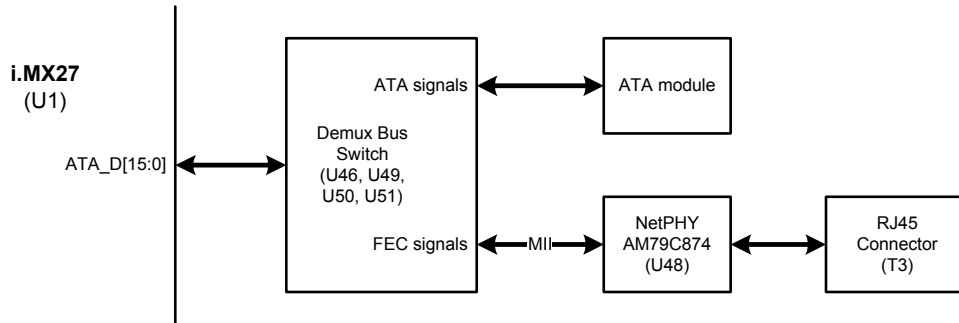


Figure 2-10. Fast Ethernet Controller Interface

### 2.3.12 1-Wire EEPROM

The ADS provides a 1-Wire EEPROM (U98) that uses a MAXIM DS2433. This is a 4K bits 1-Wire EEPROM. The power to read and write the EEPROM is derived entirely from the i.MX27 1-Wire interface (RTCK/OWIRE pin). However, this pin is also used in the CPLD and Multi-ICE. Figure 2-11 shows the 1-Wire EEPROM and other devices connected to this pin. The ADS cannot support all these devices simultaneously. In the default factory setting, the RTCK/OWIRE pin is connected to CPLD via a resistor (R501) for the CS8900 DMA request. If the user needs to test the 1-Wire EEPROM or Multi-ICE RTCK function, R501 must be removed and set the jumper JP62 (see Table 2-9).

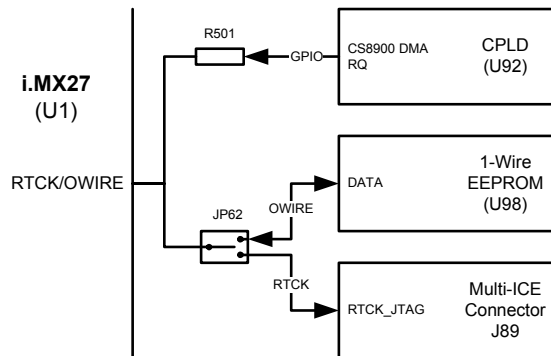


Figure 2-11. 1-Wire Interface and other connections

### 2.3.13 Power management and Audio Chip

The MC13783 Power management and Audio chip is a highly integrated power management, audio and user interface component dedicated to handset and portable applications. The MC13783 features include:

- Battery charger interface
- 10 bit ADC
- Buck switchers for direct supply of i.MX27 MCU
- Regulators for different external peripherals in ADS
- Transmit amplifiers for two handset microphones and a headset microphone
- Receive amplifiers for earpiece, loudspeaker, headset and line out
- 13 bit Voice CODEC
- 16 bit Stereo DAC
- Dual SSI audio bus
- Real time clock
- Multiple backlight drivers and LED control including funlight support
- USBOTG transceiver
- Touchscreen interface

For details how the MC13783 operates, refer to its data sheet, available at <http://www.freescale.com>.

### 2.3.14 Audio Indicator (Buzzer)

The ADS includes an audio indicator or buzzer, BZ1. If a jumper is installed in header JP63 pin 1-2, the PWMO pin of the i.MX27 controls this function. This buzzer operates from 1 KHz to 10 KHz. The maximum sound level is reached when the frequency is 3 KHz and the duty cycle is 50%.

## 2.3.15 LED Indicators

Table 2-12 shows the ADS LED indicators and their associated functions.

**Table 2-12. Function of LED Indicators**

Reference #	Color	Name	Function
D3	Green	5V	5 V power is ON
D4	Green	5V PM PWR	5V power for MC13783 is ON
D8	Green, Red	10BASE-T	10Mbps speed LED and duplex LED
D9	Green	LNK	LED is on when the link is established.
D10	Green	COL	Blinking when there is a collision in half-duplex operation.
D11	Red	RX	Blinking when data is received
D12	Green, Red	100BASE-T	100Mbps speed LED and transmit LED
D15	Orange	Trickle Charge	Trickle charging is ON
D17-D20	Yellow	LEDMD[1:4]	MC13783 main display backlight driving output
D21, D22	Yellow	LEDAD[1:2]	MC13783 auxiliary display backlight driving output
D23	Yellow	LEDKP	MC13783 keypad backlight driving output
D24-D25	Orange, Blue, Green	-	Tri-color LED for the pre-programmed lighting patterns from MC13783.
D28	Green	Vibrator	MC13783 vibrator driving output
D29	Green	STAT 2	User status controlled by CPLD
D30	Green	STAT 1	User status controlled by CPLD
T1	Green	-	Blinking indicates LAN Activity
	Yellow	-	Link good or host controlled output
	Red	-	Blinking indicates external bus activity
T3	Green	LENLNK	Blinking indicates LAN Activity
	Yellow	LEDRX	Blinking when data is received

## 2.4 Add-On Module Connections and Usage

There are ten add-on interfaces in the ADS. Five major add-on modules come with the ADS kit. The other modules do not include. The available modules are:

- NAND flash card
- TFT LCD Panel
- Keypad
- Image Sensor Card
- TV Encoder Card

The following paragraphs describe how to connect and use them.

### 2.4.1 Using a NAND Flash Card

The ADS kit includes a 1Gbit NAND flash card. To use it, connect PN1 & PN2 of the NAND Flash card to PM1 & PM2 of the ADS board as shown in Figure 2-12.

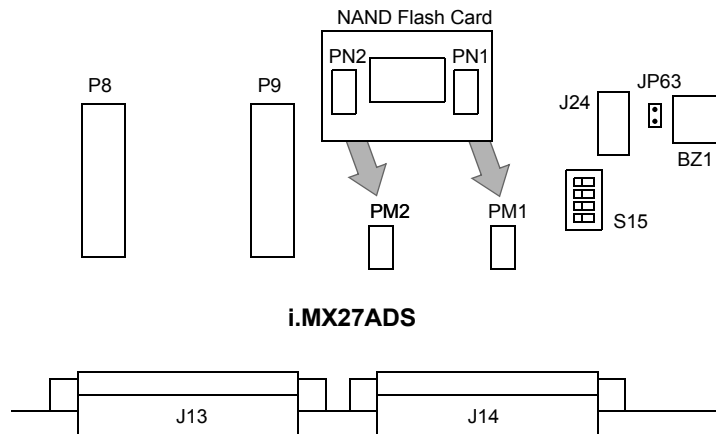


Figure 2-12. Installing the NAND flash card

#### CAUTION

To avoid circuit damage, do not plug-in the NAND Flash card with power applied to the board.

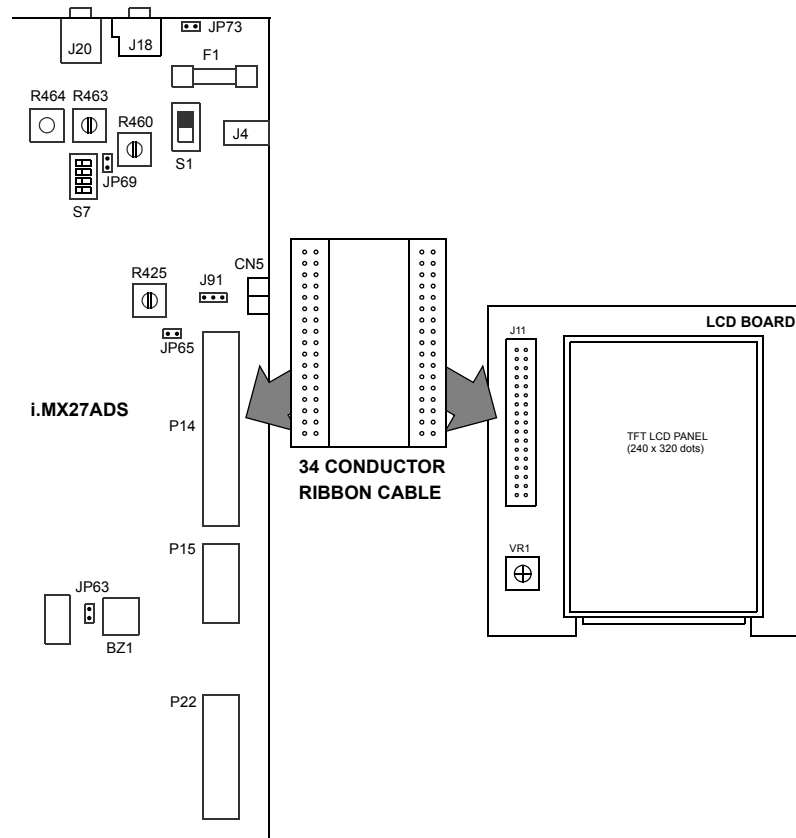
### 2.4.2 Using a TFT LCD Display Panel

The ADS is equipped with a Sharp LQ035Q7DB02 touch control enabled TFT LCD display assembly. The ADS documentation CD contains specifications for the TFT LCD component.

#### CAUTION

Make sure that the input power to the main board is disconnected or switched off before connecting the LCD module. Connecting the module with power applied can damage the LCD module and/or the main board.

To use the TFT LCD display, connect the 34 conductor ribbon cable supplied with the ADS from J11 of the LCD module to P14 of the ADS as shown in Figure 2-13.



**Figure 2-13. Installing the LCD board**

The potentiometer VR1 on the LCD board controls flickering of the display screen. If the TFT LCD display flickers, you may adjust VR1 to stabilize the display. Use a suitable flat head or phillips head screwdriver. Because the adjustment is normally done with power applied, we recommend use of a plastic blade tool.

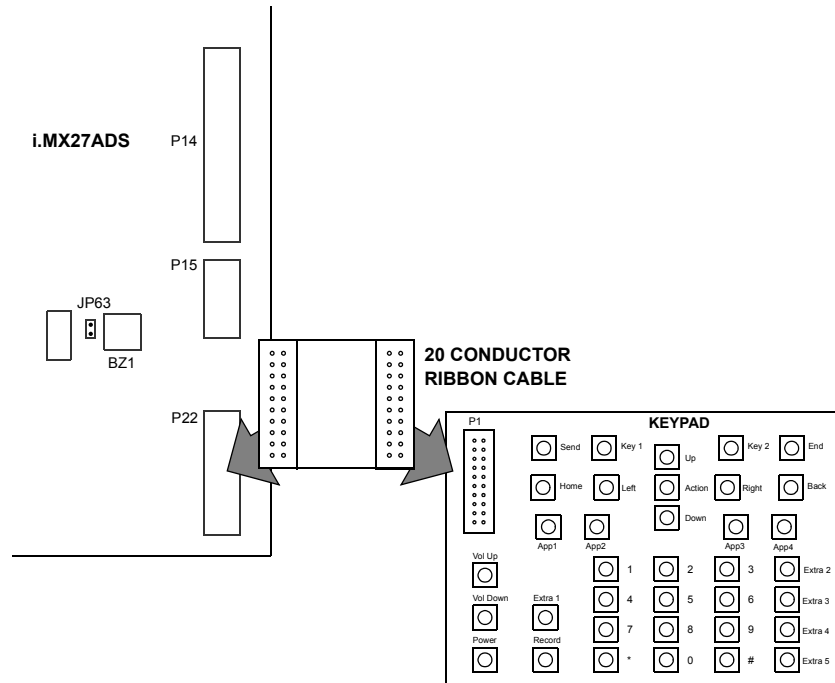
### 2.4.3 Using a Keypad

The ADS includes an external keypad module. The interface reads via the KCOL[5:0] and KROW[5:0] signals. The interface has chording diodes to prevent ghost key presses. The keys labeled with numeric, cursor control, soft key, and spare key functions. The default keypad can be replaced by a custom design. The UART2 signals that are multiplexed internally with the KCOL[7,6] and KROW[7,6] signals are brought out to keypad connector P22. This allows the use of an 8x8 keypad matrix. Table 2-13 shows the key switch connections to the keypad signals by function name and the switch reference designators.

**Table 2-13. Keypad Layout and Connections**

	KCOL5	KCOL4	KCOL3	KCOL2	KCOL1	KCOL0
<b>KROW5</b>	APP1 SW1	SEND SW2	KEY 1 SW3	UP SW4	KEY 2 SW5	END SW6
<b>KROW4</b>	APP2 SW7	HOME SW8	LEFT SW9	ACTION SW10	RIGHT SW11	BACK SW12
<b>KROW3</b>	DOWN SW13	APP3 SW14	1 - SW15	2 ABC SW16	3 DEF SW17	EXTRA 2 SW18
<b>KROW2</b>	VOL UP SW19	APP4 SW20	4 GHI SW21	5 JKL SW22	6 MNO SW23	EXTRA 3 SW24
<b>KROW1</b>	VOL DOWN SW25	EXTRA 1 SW26	7 PQRS SW27	8 TUV SW28	9 WXYZ SW29	EXTRA 4 SW30
<b>KROW0</b>	POWER SW31	RECORD SW32	* SW33	0 + SW34	# SW35	EXTRA 5 SW36

To use the keypad module, connect the 20 conductor ribbon cable supplied with the ADS from connector P1 of the Keypad module to P22 of the ADS board as shown in Figure 2-14.



**Figure 2-14. Installing the keypad**

## 2.4.4 Using an Image Sensor Module

Connector J12 is pre-configured to operate directly with the IM8012 image sensor module supplied with the ADS. Communication with this card takes place through the I<sup>2</sup>C interface. For details on image sensor operation, refer to the data sheet on the documentation CD.

### CAUTION

To avoid circuit damage, do not plug-in the image sensor card with power applied to the board.

To install the image sensor card, plug its 48 position DIN connector into J12 of the ADS board. When the image sensor card is installed, the two boards are at a right angle to each other, with the image sensor facing away from the ADS as shown in Figure 2-15.

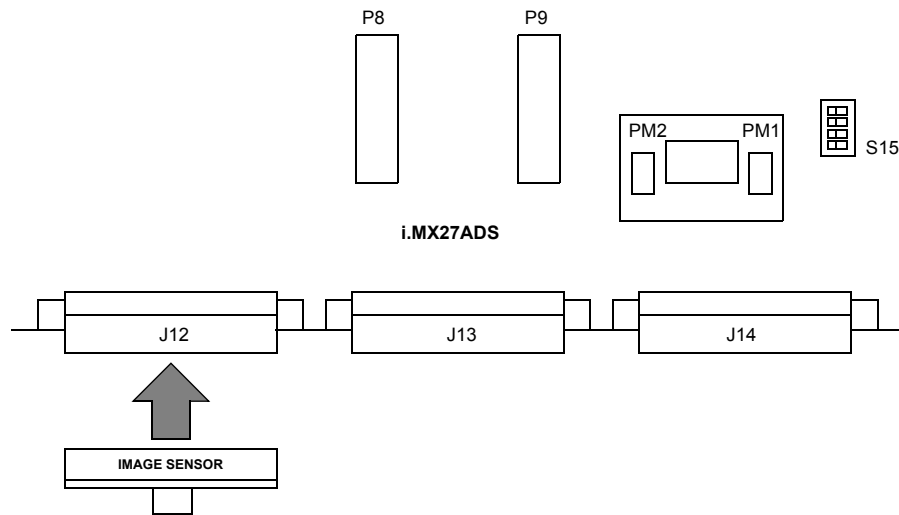


Figure 2-15. Installing the image sensor module

## 2.4.5 Using a TV Encoder Card

A TV encoder card comes with the ADS. The main component is a FS453LF (PC to TV Video Scan converter) from FOCUS Enhancements Semiconductor. For details on TV encoder operation, refer to its data sheet, available at <http://www.focusinfo.com/>

### CAUTION

Make sure that input power is disconnected or switched off before the TV encoder card is installed. Connecting the card with power applied can damage the TV encoder card and the ADS board.

This TV encoder cannot be used at the same time as the LCD display because they share connector P14 on the ADS board. To use the TV encoder module, you must disconnect the LCD board from P14 on the ADS board and install the TV encoder module in P14 and P15 of the ADS board as shown in Figure 2-16.

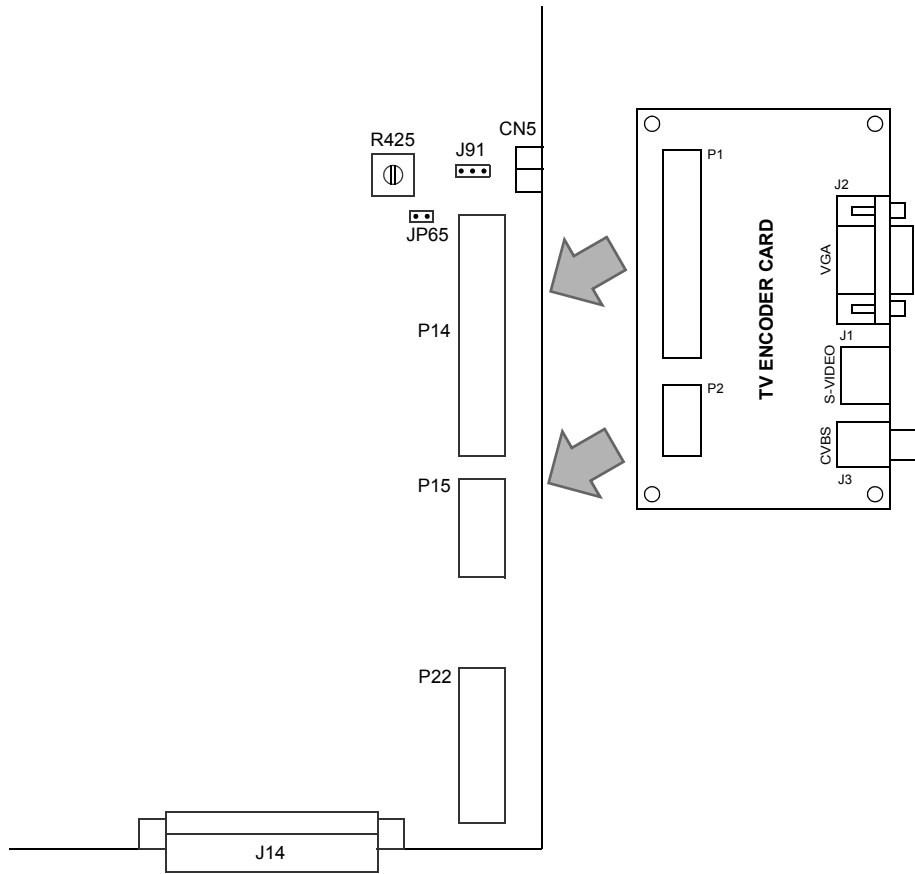


Figure 2-16. Installing the TV Encoder Card

## 2.4.6 Using Plug-in Memory Cards

Three plug-in memory cards support by the ADS: a memory stick and two SD/MMC cards. The corresponding card holders, connectors J16, P17, and P18, are on the bottom of the board. The same i.MX27 signals control the memory stick connector J16 and SD/MMC2 connector P18. In order to reduce the bus loading, the signals from SD/MMC2 connector disconnected by the headers J72-J77. To direct these signals to P18 (that is, to use SD/MMC2 cards), insert jumpers into these connectors

Interface signals are provided by the i.MX27 but write protect but the card detect inputs are read through the CPLD.

### NOTE

Since the signals of the memory stick and SD/MMC2 are multiplexed in i.MX27, it cannot use both memory cards at the same time.



## 2.4.7 Using a Plug-in PCMCIA Card

The ADS comes equipped with a PCMCIA card holder, U59. Most of the PCMCIA interface signals are buffered including the data and address that are shared with other system peripherals. The card is powered by a LTC1472CS power switch. Only 3.3V cards are supported. The CPLD controls the LTC1472CS. It can turn VCC power ON and OFF and VPP power can be set to +5V or left unconnected (Hi-Z). These default to OFF and unconnected at reset. You must supply a compatible PCMCIA card for use with the i.MX27 ADS.

## 2.4.8 Using a Mini ATA hard Drive

The ADS provides an ATA compatible interface designed to work with 1.8 inch mini hard drives. P13 is a 44 pin header designed to be compatible with ATA/ATAPI-6 standard. The mini hard drive installs into the dual row, 2mm spaced connector which is on the bottom side of the ADS. Ribbon cable is not required. Most of the ATA signals are multiplexed and then translated to 3.3V levels for the mini hard drive. The CPLD controls the multiplexer enables and selects.

### CAUTION

Make sure that input power is disconnected or switched off before the mini hard drive is connected. Connecting it with power applied can damage the mini hard drive and the ADS board.

## 2.4.9 Using an ETM Connector

The ADS provides an ETM connector (P23) for connecting the ARM based i.MX27 CPU to an ARM supplied ETM (Embedded Trace Macrocell). Since this capability is normally needed only during development, the ETM functions are pin shared with other modules. Using these pins for ETM will prohibit their use with the other modules. The modules include ATA and NAND flash.

## 2.4.10 Using a Samtec Logic Analyzer Connectors

The ADS has two specialized Samtec connectors (P8 and P9) designed to be compatible with Logic Analyzer cables from HP that use the mating connector. All CPU connections required for memory interfacing are brought to these connectors.



---

## Chapter 3 Support Information

### 3.1 Introduction

This chapter describes connector pin assignments and signals for the M9328MX27 ADS board. The tables in this section list signal names as they appear in the board schematics. The use of “\_B” at the end of a name indicates an active low signal.

### 3.2 Logic Analyzer Connectors

P8 and P9 are the logic analyzer connectors. All are 100-pin SAMTEC connectors.

Figure 3-1 shows P8 pin assignments and Table 3-1 describes P8 signals.

Figure 3-2 shows P9 pin assignments and Table 3-2 describes P9 signals.

		P8	
GND	1	• •	2 GND
NC	3	• •	4 NC
GND	5	• •	6 GND
A0	7	• •	8 A16
GND	9	• •	10 GND
A1	11	• •	12 A17
GND	13	• •	14 GND
A2	15	• •	16 A18
GND	17	• •	18 GND
A3	19	• •	20 A19
GND	21	• •	22 GND
A4	23	• •	24 A20
GND	25	• •	26 GND
A5	27	• •	28 A21
GND	29	• •	30 GND
A6	31	• •	32 A22
GND	33	• •	34 GND
A7	35	• •	36 A23
GND	37	• •	38 GND
A8	39	• •	40 A24
GND	41	• •	42 GND
A9	43	• •	44 A25
GND	45	• •	46 GND
A10	47	• •	48 RESET_OUT_B
GND	49	• •	50 GND
A11	51	• •	52 PM_RESETB_MCU
GND	53	• •	54 GND
A12	55	• •	56 PM_RESETB
GND	57	• •	58 GND
A13	59	• •	60 NC
GND	61	• •	62 GND
A14	63	• •	64 NC
GND	65	• •	66 GND
A15	67	• •	68 NC
GND	69	• •	70 GND
NC	71	• •	72 NC
GND	73	• •	74 GND
NC	75	• •	76 NC
GND	77	• •	78 GND
BCLK	79	• •	80 PC_POE
GND	81	• •	82 GND
NC	83	• •	84 NC
GND	85	• •	86 GND
NC	87	• •	88 NC
GND	89	• •	90 GND
NC	91	• •	92 NC
GND	93	• •	94 GND
GND	95	• •	96 GND
NC	97	• •	98 NC
NVDD2~4	99	• •	100 NC

Figure 3-1. Logic Analyzer Connector P8 Pin Assignment Assignments

**Table 3-1. Logic Analyzer Connector P8 Signal Description**

Pin(s)	Signal	Description
1, 2, 5, 6, 9, 10, 13, 14, 17, 18, 21, 22, 25, 26, 29, 30, 33, 34, 37, 38, 41, 45, 46, 49, 50, 53, 54, 57, 58, 61, 62, 65, 66, 69, 70, 73, 74, 77, 78, 81, 82, 85, 86, 89, 90, 93, 94, 95, 96	GND	SIGNAL GROUND
3, 4, 60, 64, 68, 71, 72, 75, 76, 83, 84, 87, 88, 91, 92, 97, 98, 100	NC	NO CONNECTION
7, 8, 11, 12, 15, 16, 19, 20, 23, 24, 27, 28, 31, 32, 35, 36, 39, 40, 43, 44, 47, 51, 55, 59, 63, 67	A0-A25	EMI ADDRESS
48	RESET_OUT_B	RESET OUT - Active low reset signal from the MCU
52	PM_RESETB_MCU	POWER MANAGEMENT MCU POWER ON RESET
56	PM_RESETB	POWER MANAGEMENT MCU RESET
79	BCLK	CLOCK SIGNAL FOR BURST FLASH
80	PC_POE	PCMCIA CONTROL
99	NVDD2~4	EMI INTERFACE POWER SUPPLY

		P9	
GND	1	• •	2 GND
NC	3	• •	4 NC
GND	5	• •	6 GND
WAIT_B	7	• •	8 D0
GND	9	• •	10 GND
LBA_B	11	• •	12 D1
GND	13	• •	14 GND
OE_B	15	• •	16 D2
GND	17	• •	18 GND
RW_B	19	• •	20 D3
GND	21	• •	22 GND
CS0_B	23	• •	24 D4
GND	25	• •	26 GND
CS1_B	27	• •	28 D5
GND	29	• •	30 GND
CS4_B	31	• •	32 D6
GND	33	• •	34 GND
CS5_B	35	• •	36 D7
GND	37	• •	38 GND
EB0_B	39	• •	40 D8
GND	41	• •	42 GND
EB1_B	43	• •	44 D9
GND	45	• •	46 GND
NFCE_B	47	• •	48 D10
GND	49	• •	50 GND
NFCLE	51	• •	52 D11
GND	53	• •	54 GND
NFALE	55	• •	56 D12
GND	57	• •	58 GND
NFRE_B	59	• •	60 D13
GND	61	• •	62 GND
NFWP_B	63	• •	64 D14
GND	66	• •	66 GND
NFWE_B	67	• •	68 D15
GND	69	• •	70 GND
NFRB	71	• •	72 NC
GND	73	• •	74 GND
NC	77	• •	76 NC
GND	77	• •	78 GND
NC	79	• •	80 NC
GND	81	• •	82 GND
NC	83	• •	84 NC
GND	88	• •	86 GND
NC	87	• •	88 NC
GND	89	• •	90 GND
NC	91	• •	92 NC
GND	93	• •	94 GND
GND	95	• •	96 GND
NC	97	• •	98 NC
NVDD2~4	99	• •	100 NC

Figure 3-2. Logic Analyzer Connector P9 Pin Assignment Assignments

**Table 3-2. Logic Analyzer Connector P9 Signal Description**

Pin(s)	Signal	Description
1, 2, 5, 6, 9, 10, 13, 14, 17, 18, 21, 22, 25, 26, 29, 30, 33, 34, 37, 38, 41, 45, 46, 49, 50, 53, 54, 57, 58, 61, 62, 65, 66, 69, 70, 73, 74, 77, 78, 81, 82, 85, 86, 89, 90, 93, 94, 95, 96	GND	SIGNAL GROUND
3, 4, 72, 75, 76, 79, 80, 83, 84, 87, 88, 91, 92, 97, 98, 100	NC	NO CONNECTION
7	WAIT_B	EMI CONTROL
8, 12, 16, 20, 24, 28, 32, 36, 40, 44, 48, 52, 56, 60, 64, 68	D0-D15	EMI DATA
11	LBA_B	EMI CONTROL
15	OE_B	EMI CONTROL
19	RW_B	EMI CONTROL
23	CS0_B	BUFFERED CHIP SELECT
27	CS1_B	BUFFERED CHIP SELECT
31	CS4_B	BUFFERED CHIP SELECT
35	CS5_B	BUFFERED CHIP SELECT
39	EB0_B	EMI CONTROL
43	EB1_B	EMI CONTROL
47	NFCE_B	NAND FLASH CONTROL
51	NFCLE	NAND FLASH CONTROL
55	NFALE	NAND FLASH CONTROL
59	NFRE_B	NAND FLASH CONTROL
63	NFWP_B	NAND FLASH CONTROL
67	NFWE_B	NAND FLASH CONTROL
71	NFRB_B	NAND FLASH CONTROL
99	NVDD2~4	EMI INTERFACE POWER SUPPLY

### 3.3 UART/RS-232 Connectors

This section describes the DB9 RS-232 serial interface connectors on the ADS. Each serial interface is controlled by an UART that is either inside the i.MX27 processor or part of an external device.

### 3.3.1 UARTA Connector

Connector J78 connects to the UART1 pins of the i.MX27 MCU. UART1 is the primary functionality of the pins. This female DB9 connector is configured for RS-232 DCE operation. Figure 3-3 shows pin assignments and Table 3-3 provides signal descriptions for the connector.

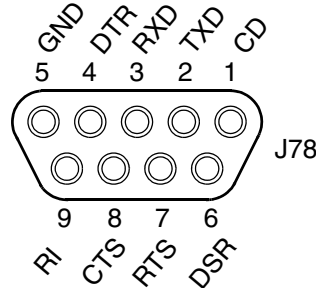


Figure 3-3. Connector J78 (UART1) DCE Pin Assignments

Table 3-3. Connector J78 (UART1) DCE Signal Descriptions

Pin(s)	Signal	Description
1	CD	CARRIER DETECT — RS-232 output signal, pulled active positive
2	TXD	TRANSMITTED DATA — RS-232 serial data output signal
3	RXD	RECEIVED DATA — RS-232 serial data input signal
4	DTR	DATA TERMINAL READY — RS-232 input signal
5	GND	GROUND
6	DSR	DATA SET READY — RS-232 output signal, pulled active positive
7	RTS	READY TO SEND — RS-232 input signal, active positive
8	CTS	CLEAR TO SEND — RS-232 output signal, active positive
9	RI	RING INDICATOR — RS-232 output signal, forced inactive negative

### 3.3.2 UARTB Connector

Connector J79 connects to the UART3 pins of the i.MX27 MCU. UART3 is the secondary functionality of these pins. This male DB9 connector is configured for RS-232 DTE operation. Figure 3-4 shows pin assignments and Table 3-4 provides signal descriptions for the connector.

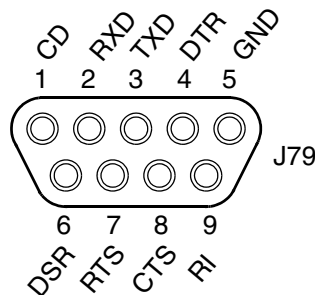


Figure 3-4. Connector J79 (UART4) DTE Pin Assignments

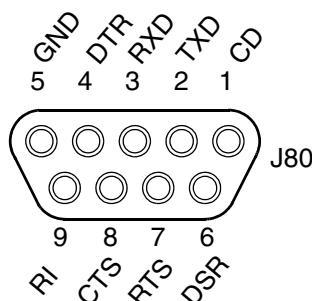


**Table 3-4. Connector J79 (UART4) DTE Signal Descriptions**

Pin	Signal	Description
1	CD	CARRIER DETECT — RS-232 input signal
2	RXD	RECEIVED DATA — RS-232 serial data input signal
3	TXD	TRANSMITTED DATA — RS-232 serial data output signal
4	DTR	DATA TERMINAL READY — RS-232 output signal
5	GND	GROUND
6	DSR	DATA SET READY — RS-232 input signal
7	$\overline{\text{RTS}}$	READY TO SEND — RS-232 output signal
8	$\overline{\text{CTS}}$	CLEAR TO SEND — RS-232 input signal
9	RI	RING INDICATOR — RS-232 input signal

### 3.3.3 External UART Connector

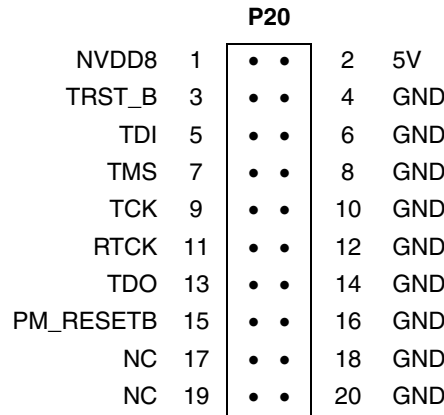
Connector J80 is connected to Port A of U111, an Philips SC16C652IB48 DUART. This female DB9 connector is configured for RS-232 Data Communications Equipment (DCE) operation. Figure 3-5 shows the pin assignments and Table 3-5 provides signal descriptions for the connector.

**Figure 3-5. Connector J80 (EXT UART) DCE Pin Assignments****Table 3-5. Connector J80 (EXT UART) DCE Signal Descriptions**

Pin(s)	Signal	Description
1	CD	CARRIER DETECT — RS-232 output signal, pulled active positive
2	TXD	TRANSMITTED DATA — RS-232 serial data output signal
3	RXD	RECEIVED DATA — RS-232 serial data input signal
4	DTR	DATA TERMINAL READY — RS-232 serial data input signal
5	GND	GROUND
6	DSR	DATA SET READY — RS-232 output signal, pulled active positive
7	$\overline{\text{RTS}}$	READY TO SEND — RS-232 input signal, active positive,
8	$\overline{\text{CTS}}$	CLEAR TO SEND — RS-232 output signal, active positive,
9	RI	RING INDICATOR — RS-232 output signal, forced inactive negative

## 3.4 Multi-ICE Connector

Connector J89 is the ADS Multi-ICE connector. Figure 3-6 shows pin assignments and Table 3-6 provides signal descriptions for the connector.



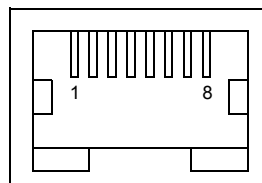
**Figure 3-6. Multi-ICE Connector P20 (on the CPU) Pin Assignments**

**Table 3-6. Multi-ICE Connector P20 (on the CPU) Signal Descriptions**

Pin(s)	Signal	Description
1	NVDD8	NVDD8 power
2	5V	+5.0 VDC power
3	TRST_B	TARGET RESET — Active low output signal that resets the target
4, 6, 8, 10, 12, 14, 16, 18, 20	GND	GROUND
5	TDI	TEST DATA INPUT — Serial data output line, sampled on the rising edge of the TCK signal
7	TMS	TEST MODE SELECT – Output signal that sequences the target’s JTAG state machine, sampled on the rising edge of the TCK signal
9	TCK	TEST CLOCK — Output timing signal, for synchronizing test logic and control register access
11	RTCK	RETURN CLOCK
13	TDO	JTAG TEST DATA OUTPUT — Serial data input from the target
15	PM_RESETB	Active low reset signal to the processor
17, 19	NC	NO CONNECTION

### 3.5 Ethernet Connector

T1 is the RJ-45 Ethernet connector for the ADS. Figure 3-7 shows pin numbering and Table 3-7 provides signal descriptions for the connector.



**Figure 3-7. Ethernet Connector T1 Pin Numbers**

**Table 3-7. Ethernet Connector T1 Signal Descriptions**

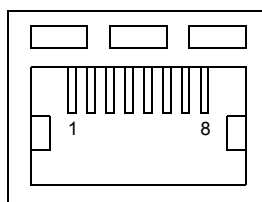
Pin(s)	Signal	Description
1	TPO+	DIFFERENTIAL OUTPUT PLUS

**Table 3-7. Ethernet Connector T1 Signal Descriptions (continued)**

Pin(s)	Signal	Description
2	TPO-	DIFFERENTIAL OUTPUT MINUS
3	TPI+	DIFFERENTIAL INPUT PLUS
4, 5, 7, 8	NC	NO CONNECTION
6	TPI-	DIFFERENTIAL INPUT MINUS

### 3.6 FET Connector

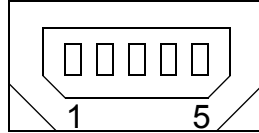
T3 is the RJ-45 Ethernet connector for the ADS. Figure 3-8 shows pin numbering and Table 3-8 provides signal descriptions for the connector.

**Figure 3-8. FEC Connector T3 Pin Numbers****Table 3-8. FEC Connector T3 Signal Descriptions**

Pin(s)	Signal	Description
1	TPO+	DIFFERENTIAL OUTPUT PLUS
2	TPO-	DIFFERENTIAL OUTPUT MINUS
3	TPI+	DIFFERENTIAL INPUT PLUS
4	-	CENTER TAP OF DIFFERENTIAL OUTPUT
5	-	CENTER TAP OF DIFFERENTIAL INPUT
6	TPI-	DIFFERENTIAL INPUT MINUS
7	NC	NO CONNECTION
8	GND	GROUND

### 3.7 USB OTG Connectors

J9 and J10 are the USB OTG connector. J9 is a high-speed connector, and J10 is a full-speed connector. Figure 3-9 shows pin assignments and Table 3-9 provides signal descriptions for the connector.



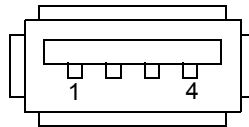
**Figure 3-9. USB OTG Connector J9 and J10 Pin Assignments**

**Table 3-9. USB OTG Connector J9 and J10 Signal Descriptions**

Pin(s)	Signal	Description
1	VBUS	VBUS
2	D-	USB DATA MINUS
3	D+	USB DATA PLUS
4	ID	ID
5	GND	GROUND

### 3.8 USB Host Connectors

J7 and J8 are the USB OTG connector. J7 is a high-speed connector, and J8 is a full-speed connector. Figure 3-10 shows pin assignments and Table 3-10 provides signal descriptions for the connector.



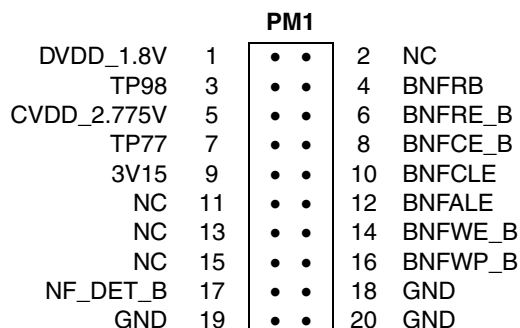
**Figure 3-10. USB Host Connector J7 and J8 Pin Assignments**

**Table 3-10. USB Host Connector J7 and J8 Signal Descriptions**

Pin(s)	Signal	Description
1	VBUS	VBUS
2	D-	USB DATA MINUS
3	D+	USB DATA PLUS
4	ID	ID
5	GND	GROUND

### 3.9 NAND Flash Connectors

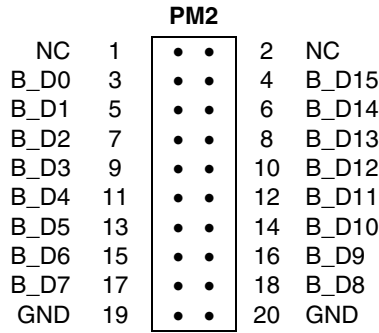
PM1 and PM2 on the CPU board allow the ADS to interface with a NAND Flash module. Figure 3-11 and Figure 3-12 show pin assignments for PM1 and PM2 respectively. Table 3-11 and Table 3-12 provide signal descriptions for the PM1 and PM2 connector respectively.



**Figure 3-11. NAND Flash Connector PM1 (on the CPU Board) Pin Assignments**

**Table 3-11. NAND Flash Connector PM1 Signal Descriptions**

Pin(s)	Signal	Description
1	DVDD_1.8V	+1.8 VDC power
2, 11, 13, 15	NC	Not Connect
3	TP98	Test point
4	BNFRB	BUFFERED NAND FLASH READY/BUSY
5	CVDD_2.775V	+ 2.775 VDC power
6	BNFRE_B	NAND FLASH READ ENABLE
7	TP77	Test point
8	BNFCE_B	BUFFERED NAND FLASH CHIP ENABLE
9	3V15	+3.15 VDC power
10	BNFCLE	BUFFERED NAND FLASH COMMAND LATCH ENABLE
12	BNFALE	BUFFERED NAND FLASH ADDRESS LATCH ENABLE
14	BNFWE_B	BUFFERED NAND FLASH WRITE ENABLE
16	BNFWP_B	BUFFERED NAND FLASH WRITE PROTECT
17, 18, 19, 20	GND	GROUND



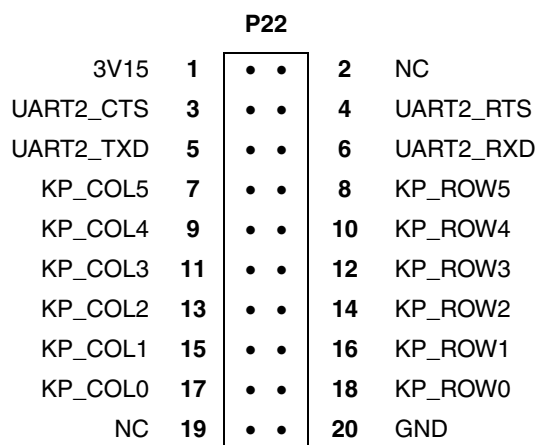
**Figure 3-12. NAND Flash Connector PM2 (on the CPU) Pin Assignments**

**Table 3-12. NAND Flash Connector PM2 Signal Descriptions**

Pin(s)	Signal	Description
1, 2	NC	No Connect
3	B_D0	NAND FLASH DATA BUS
4	B_D15	NAND FLASH DATA BUS
5	B_D1	NAND FLASH DATA BUS
6	B_D14	NAND FLASH DATA BUS
7	B_D2	NAND FLASH DATA BUS
8	B_D13	NAND FLASH DATA BUS
9	B_D3	NAND FLASH DATA BUS
10	B_D12	NAND FLASH DATA BUS
11	B_D4	NAND FLASH DATA BUS
12	B_D11	NAND FLASH DATA BUS
13	B_D5	NAND FLASH DATA BUS
14	B_D10	NAND FLASH DATA BUS
15	B_D6	NAND FLASH DATA BUS
16	B_D9	NAND FLASH DATA BUS
17	B_D7	NAND FLASH DATA BUS
18	B_D8	NAND FLASH DATA BUS
19, 20	GND	GROUND

## 3.10 External Keypad Connector

Connector P22 is the ADS External Keypad connector. Figure 3-13 shows pin assignments and Table 3-13 provides signal descriptions for the connector.



**Figure 3-13. External Keypad Connector P22 Pin Assignments**

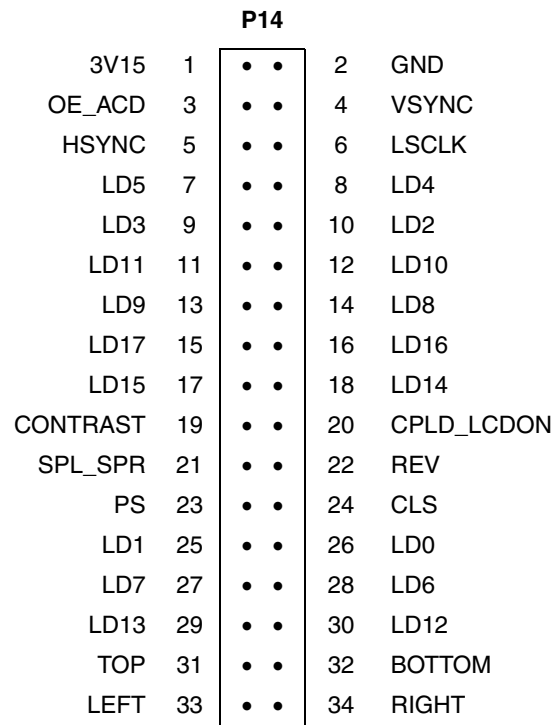
**Table 3-13. External Keypad Connector P22 Signal Descriptions**

Pin(s)	Signal	Description
1	3V15	3.15 volt power
2, 19	NC	NO CONNECTION
3	UART2_CTS ( <i>KEY_COL7</i> )	KEYPAD COLUMN 7 — Bidirectional signal used to scan a keypad
4	UART2_RTS ( <i>KEY_ROW7</i> )	KEYPAD ROW 7 — Bidirectional signal used to scan a keypad
5	UART2_TXD ( <i>KEY_COL6</i> )	KEYPAD COLUMN 6 — Bidirectional signal used to scan a keypad
6	UART2_RXD ( <i>KEY_ROW6</i> )	KEYPAD ROW 6 — Bidirectional signal used to scan a keypad
7	KP_COL5	KEYPAD COLUMN 5 — Bidirectional signal used to scan a keypad
8	KP_ROW5	KEYPAD ROW 5 — Bidirectional signal used to scan a keypad
9	KP_COL4	KEYPAD COLUMN 4 — Bidirectional signal used to scan a keypad
10	KP_ROW4	KEYPAD ROW 4 — Bidirectional signal used to scan a keypad
11	KP_COL3	KEYPAD COLUMN 3 — Bidirectional signal used to scan a keypad
12	KP_ROW3	KEYPAD ROW 3 — Bidirectional signal used to scan a keypad
13	KP_COL2	KEYPAD COLUMN 2 — Bidirectional signal used to scan a keypad
14	KP_ROW2	KEYPAD ROW 2 — Bidirectional signal used to scan a keypad
15	KP_COL1	KEYPAD COLUMN 1 — Bidirectional signal used to scan a keypad
16	KP_ROW1	KEYPAD ROW 1 — Bidirectional signal used to scan a keypad
17	KP_COL0	KEYPAD COLUMN 0 — Bidirectional signal used to scan a keypad
18	KP_ROW0	KEYPAD ROW 0 — Bidirectional signal used to scan a keypad
20	GND	GROUND

\* The signal name in italics is the function intended for operation with this connector. It is multiplexed in the i.MX27 processor with the listed signal.

### 3.11 LCD Panel Connector

Connector P14 is the ADS LCD panel connector. Figure 3-14 shows pin assignments and Table 3-14 provides signal descriptions the connector.



**Figure 3-14. LCD Panel Connector P14 Pin Assignments**

**Table 3-14. LCD Panel Connector P14 Signal Descriptions**

Pin(s)	Signal	Description
1	3V15	3.15 volt power
2	GND	GROUND
3	OE_ACD	OUTPUT ENABLE / ALTERNATE CRYSTAL DIRECTION
4	VSYNC	FIRST LINE MARKER / VERTICAL SYNCHRONIZATION
5	HSYNC	LINE PULSE / HORIZONTAL SYNCHRONIZATION
6	LSCLK	LCD SHIFT CLOCK — Output to LCD
7	LD5	LCD DATA BUS
8	LD4	LCD DATA BUS
9	LD3	LCD DATA BUS
10	LD2	LCD DATA BUS
11	LD11	LCD DATA BUS
12	LD10	LCD DATA BUS
13	LD9	LCD DATA BUS
14	LD8	LCD DATA BUS
15	LD17	LCD DATA BUS
16	LD16	LCD DATA BUS
17	LD15	LCD DATA BUS

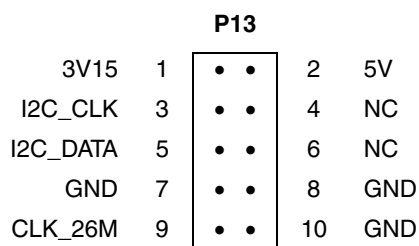


**Table 3-14. LCD Panel Connector P14 Signal Descriptions (continued)**

Pin(s)	Signal	Description
18	LD14	LCD DATA BUS
19	CONTRAST	LCD bias voltage used as contrast control
20	CPLD_LCDON	LCD enable from CPLD — Active High, Enables the Sharp LCD
21	SPL_SPR	SAMPLING LEFT to RIGHT— Horizontal scan direction
22	REV	Signal for common electrode driving signal preparation (Sharp panel dedicated signal)
23	PS	Control signal output for source driver (Sharp panel dedicated signal)
24	CLS	Start signal output for gate driver. This signal is inverted version of PS (Sharp panel dedicated signal)
25	LD1	LCD DATA BUS
26	LD0	LCD DATA BUS
27	LD7	LCD DATA BUS
28	LD6	LCD DATA BUS
29	LD13	LCD DATA BUS
30	LD12	LCD DATA BUS
31	TOP	Negative pen-Y analog input
32	BOTTOM	Positive pen-Y analog input
33	LEFT	Negative pen-X analog input
34	RIGHT	Positive pen-X analog input

### 3.12 TV Encoder Connector

Connector P13 is the TV encoder connector. Figure 3-15 gives the pin assignments and Table 3-15 gives the signal descriptions for this connector.

**Figure 3-15. TV encoder Connector P13 Pin Assignments****Table 3-15. TV encoder Connector P13 Signal Descriptions**

Pin(s)	Signal	Description
1	3V15	+3.15 VDC power
2	5V	+5 VDC power
3	I2C_CLK	I SQUARED C CLOCK — Serial clock, bidirectional
4,6	NC	NO CONNECTION
5	I2C_DATA	I SQUARED C DATA — Serial data, bidirectional
7, 8, 10	GND	GROUND
9	CLK_26M	26M Clock signal from TV encoder card

### 3.13 SD/MMC Connectors

P17 and P18 are the SD/MMC connectors. Figure 3-16 shows pin assignments. Table 3-16 describes P17 signals and Table 3-17 describes P18 signals.

#### NOTE

The SD/MMC2 signals are multiplexed with Memory Stick signals. Therefore, the signals from SD/MMC2 (P18) are disconnected from the MCU by jumpers (J72-J77) in order to reduce the bus loading from Memory Stick (J16). The jumpers need to install in J72-J77 to enable SD/MMC2.

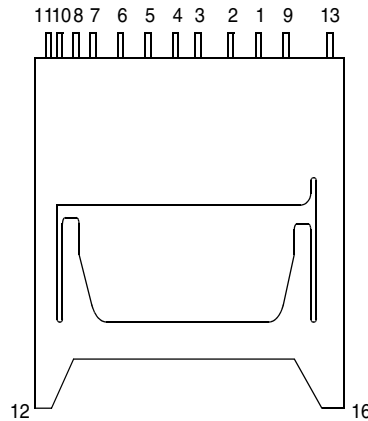


Figure 3-16. SD/MMC Connector P6 Pin Assignments

Table 3-16. SD/MMC Connector P6 Signal Descriptions

Pin(s)	Signal	Description		
		MMC Card	SD Card	
			1-Bit Mode	4-Bit Mode
1	SD1_DAT3	DATA LINE 3	Not Used	DATA LINE 3
2	SD1_CMD	COMMAND/RESPONSE		
3	GND	GROUND		
4	PM_VMMC1	Card power supply from MC13783		
5	SD1_CLK	CLOCK INPUT		
6	GND	GROUND		
7	SD1_DAT0	DATA LINE 0		
8	SD1_DAT1	DATA LINE 1	INTERRUPT (IRQ)	DATA LINE 1 or IRQ
9	SD1_DAT2	DATA LINE 2	READWAIT (RW)	DATA LINE 2 or IRQ
10	CPLD_SD1_DET	CARD DETECT FROM CPLD		
11	GND	GROUND		
12	NC	NO CONNECTION		
16	CPLD_SD1_WP	WRITE PROTECT DETECT FROM CPLD		

**Table 3-17. SD/MMC Connector P18 Signal Descriptions**

Pin(s)	Signal	Description		
		MMC Card	SD Card	
			1-Bit Mode	4-Bit Mode
1	SD2_DAT3	DATA LINE 3	Not Used	DATA LINE 3
2	SD2_CMD	COMMAND/RESPONSE		
3	GND	GROUND		
4	PM_VMMC2	Card power supply from MC13783		
5	SD2_CLK	CLOCK INPUT		
6	GND	GROUND		
7	SD2_DAT0	DATA LINE 0		
8	SD2_DAT1	DATA LINE 1	INTERRUPT (IRQ)	DATA LINE 1 or IRQ
9	SD2_DAT2	DATA LINE 2	READWAIT (RW)	DATA LINE 2 or IRQ
10	CPLD_SD2_DET	CARD DETECT FROM CPLD		
11	GND	GROUND		
12	NC	NO CONNECTION		
16	CPLD_SD2_WP	WRITE PROTECT DETECT FROM CPLD		

### 3.14 Memory Stick Connector

The ADS provides a Memory Stick Connector (J16) on the bottom side. Table 3-18 describes J16 signals.

**Table 3-18. Memory Stick Connector J16 Signal Description**

Pin(s)	Signal	Description
1	GND	GROUND SIGNAL
2	MSHC_BS	PROTOCOL BUS STATE SIGNAL
3	MSHC_DATA1	DATA BUS
4	MSHC_DATA0	DATA BUS
5	MSHC_DATA2	DATA BUS
6	CPLD_MSHC_DET	CARD DETECT
7	MSHC_DATA3	DATA BUS
8	MSHC_SCLK	CLOCK SIGNAL
9	3V15	+3.15V POWER
10	GND	GROUND SIGNAL

### 3.15 PCMCIA Connector

U59 is a standard 88-pin PCMCIA socket. Table 3-19 describes U59 signals.

**Table 3-19. PCMCIA Connector U59 Signal Descriptions**

Pin(s)	Signal	Description
1	GND	SIGNAL GROUND
2	PC_D3	DATA 3
3	PC_D4	DATA 4
4	PC_D5	DATA 5

Table 3-19. PCMCIA Connector U59 Signal Descriptions (continued)

Pin(s)	Signal	Description
5	PC_D6	DATA 6
6	PC_D7	DATA 7
7	PC_CE1_B	DATA 8
8	PC_A10	ADDRESS 10
9	OE_B	OUTPUT ENABLE
10	PC_A11	ADDRESS 11
11	PC_A9	ADDRESS 9
12	PC_A8	ADDRESS 8
13	PC_A13	ADDRESS 13
14	PC_A14	ADDRESS 14
15	WE_B	WRITE ENABLE
16	READY	READY
17	VCC	SWITCHED POWER
18	VPP	SWITCHED POWER
19	PC_A16	ADDRESS 16
20	PC_A15	ADDRESS 15
21	PC_A12	ADDRESS 12
22	PC_A7	ADDRESS 7
23	PC_A6	ADDRESS 6
24	PC_A5	ADDRESS 5
25	PC_A4	ADDRESS 4
26	PC_A3	ADDRESS 3
27	PC_A2	ADDRESS 2
28	PC_A1	ADDRESS 1
29	PC_A0	ADDRESS 0
30	PC_D0	DATA 0
31	PC_D1	DATA 1
32	PC_D2	DATA 2
33	IOIS16/WP	PCMCIA control signal
34	GND	SIGNAL GROUND
35	GND	SIGNAL GROUND
36	R_PC_CD1_B	PCMCIA Card Detect 1
37	PC_D11	DATA 11
38	PC_D12	DATA 12
39	PC_D13	DATA 13
40	PC_D14	DATA 14
41	PC_D15	DATA 15
42	PC_CE2_B	PCMCIA CARD ENABLE2
43	VS1	PCMCIA Voltage Sense 1 signal
44	IORD_B	INPUT/OUTPUT READ
45	IOWR_B	INPUT/OUTPUT WRITE
46	PC_A17	ADDRESS 17

Table 3-19. PCMCIA Connector U59 Signal Descriptions (continued)

Pin(s)	Signal	Description
47	PC_A18	ADDRESS 18
48	PC_A19	ADDRESS 19
49	PC_A20	ADDRESS 20
50	PC_A21	ADDRESS 21
51	VCC	SWITCHED POWER
52	VPP	SWITCHED POWER
53	PC_A22	ADDRESS 22
54	PC_A23	ADDRESS 23
55	PC_A24	ADDRESS 24
56	PC_A25	ADDRESS 25
57	VS2	PCMCIA Voltage Sense 2signal
58	RST_PC	PCMCIA RESET
59	WAIT	PCMCIA WAIT
60	NC	NO CONNECTION
61	REG_B	PCMCIA REGISTER ACCESS OUTPUT
62	BVD2	PCMCIA Battery Voltage Detect 2
63	BVD1	PCMCIA Battery Voltage Detect 1
64	PC_D8	DATA 8
65	PC_D9	DATA 9
66	PC_D10	DATA 10
67	R_PC_CD2_B	PCMCIA Card Detect 2
68	GND	SIGNAL GROUND
69-88	NC	NO CONNECTION

## 3.16 ATA Connector

P13 is a 44-pin, 2-row keyed header with 2mm pin spacing. It supports connection of 1.8 inch ATA Hard Disk Drive. Figure 3-17 shows pin assignments and Figure 3-20 describes the signals.

P13			
ATA_RESET_B	1	• •	2 GND
HDD_DD7	3	• •	4 HDD_DD8
HDD_DD6	5	• •	6 HDD_DD9
HDD_DD5	7	• •	8 HDD_DD10
HDD_DD4	9	• •	10 HDD_DD11
HDD_DD3	11	• •	12 HDD_DD12
HDD_DD2	13	• •	14 HDD_DD13
HDD_DD1	15	• •	16 HDD_DD14
HDD_DD0	17	• •	18 HDD_DD15
GND	19	• •	20 NC
HDD_DMARQ	21	• •	22 GND
HDD_DIOW	23	• •	24 GND
HDD_DIOR	25	• •	26 GND
HDD_IORDY	27	• •	28 HDD_CSEL
HDD_DMACK	29	• •	30 GND
HDD_INTRQ	31	• •	32 HDD_IOCS16
HDD_DA1	33	• •	34 HDD_CBLID
HDD_DA0	35	• •	36 HDD_DA2
HDD_CS0	37	• •	38 HDD_CS1
CPLD_ATA_DASP	39	• •	40 GND
HDD_3V3D	41	• •	42 HDD_3V3D
GND	43	• •	44 GND

**Figure 3-17. ATA Connector P13 Pin Assignments**

**Table 3-20. ATA Connector P13 Signal Descriptions**

Pin(s)	Signal	Description
1	ATA_RESET_B	ATA RESET SIGNAL
2	GND	GROUND SIGNAL
3	HDD_DD7	ATA DATA BUS
4	HDD_DD8	ATA DATA BUS
5	HDD_DD6	ATA DATA BUS
6	HDD_DD9	ATA DATA BUS
7	HDD_DD5	ATA DATA BUS
8	HDD_DD10	ATA DATA BUS
9	HDD_DD4	ATA DATA BUS
10	HDD_DD11	ATA DATA BUS
11	HDD_DD3	ATA DATA BUS
12	HDD_DD12	ATA DATA BUS

Table 3-20. ATA Connector P13 Signal Descriptions (continued)

Pin(s)	Signal	Description
13	HDD_DD2	ATA DATA BUS
14	HDD_DD13	ATA DATA BUS
15	HDD_DD1	ATA DATA BUS
16	HDD_DD14	ATA DATA BUS
17	HDD_DD0	ATA DATA BUS
18	HDD_DD15	ATA DATA BUS
19	GND	GROUND SIGNAL
20	NC	NO CONNECTION
21	HDD_DMARQ	ATA DMA REQUEST
22	GND	GROUND SIGNAL
23	HDD_DIOW	ATA DATA INPUT/OUTPUT WRITE
24	GND	GROUND SIGNAL
25	HDD_DIOR	ATA DATA INPUT/OUTPUT READ
26	GND	GROUND SIGNAL
27	HDD_IORDY	ATA DATA INPUT/OUTPUT READY
28	HDD_CSEL	CHIP SELECT
29	HDD_DMACK	ATA DMA ACKNOWLEDGE
30	GND	GROUND SIGNAL
31	HDD_INTRQ	ATA INTERRUPT REQUEST
32	CPLD_HDD_IOC16	ATA - IO PORT IS 16 BIT
33	HDD_DA1	ATA REGISTER ADDRESS SIGNAL
34	CPLD_HDD_CBLID	ATA CABLE ID
35	HDD_DA0	ATA REGISTER ADDRESS SIGNAL
36	HDD_DA2	ATA REGISTER ADDRESS SIGNAL
37	HDD_CS0	ATA CHIP SELECT
38	HDD_CS1	ATA CHIP SELECT
39	CPLD_ATA_DASP	ATA DRIVE 1 IS PRESENT
40	GND	GROUND SIGNAL
41	HDD_3V3D	+3.3VDC POWER SUPPLY FOR LOGIC CIRCUIT
42	HDD_3V3D	+3.3VDC POWER SUPPLY FOR MOTOR
43	GND	GROUND SIGNAL
44	GND	GROUND SIGNAL

## 3.17 ETM Connector

P23 is the ETM connector. Figure 3-18 shows pin assignments and Table 3-21 describes the signals.

P23					
NC	1	• •	2	NC	
NC	3	• •	4	NC	
GND	5	• •	6	TRACECLK	
DBGQR	7	• •	8	DBGACK	
SRST_B	9	• •	10	EXTTRIG	
TDO	11	• •	12	VTREF	
RTCK	13	• •	14	5V	
TCK	15	• •	16	TRACEPKT7	
TMS	17	• •	18	TRACEPKT6	
TDI	19	• •	20	TRACEPKT5	
TRST_B	21	• •	22	TRACEPKT4	
TRACEPKT15	23	• •	24	TRACEPKT3	
TRACEPKT14	25	• •	26	TRACEPKT2	
TRACEPKT13	27	• •	28	TRACEPKT1	
TRACEPKT12	29	• •	30	TRACEPKT0	
TRACEPKT11	31	• •	32	TRACESYNC	
TRACEPKT10	33	• •	34	PIPESTAT2	
TRACEPKT9	35	• •	36	PIPESTAT1	
TRACEPKT8	37	• •	38	PIPESTAT0	
GND	39	• •	40	GND	
GND	41	• •	42	GND	
GND	43	• •	44	NC	

**Figure 3-18. ETM Connector P23 Pin Assignments**

**Table 3-21. ETM Connector P23 Signal Descriptions**

Pin(s)	Signal	Description
1	NC	NO CONNECTION
2	NC	NO CONNECTION
3	NC	NO CONNECTION
4	NC	NO CONNECTION
5	GND	GROUND SIGNAL
6	TRACECLK	ETM TRACE CLOCK
7	DBGQR	TRACE REQUEST
8	DBGACK	ETM DEBUG ACKNOWLEDGE
9	SRST_B	RESET SIGNAL
10	EXTTRIG	ETM EXTERNAL TRIGGER INPUT
11	TDO	JTAG DATA OUT
12	VTREF	LOGIC LEVEL REFERENCE VOLTAGE FROM TARGET SYSTEM
13	RTCK	JTAG RETURN CLOCK

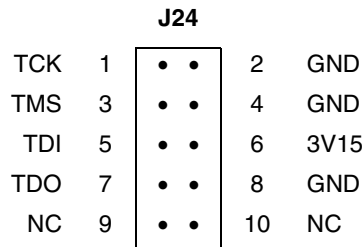


Table 3-21. ETM Connector P23 Signal Descriptions (continued)

Pin(s)	Signal	Description
14	5V	+5VDC POWER
15	TCK	JTAG CLOCK
16	TRACEPKT7	TRACE DATA
17	TMS	JTAG MODE
18	TRACEPKT6	TRACE DATA
19	TDI	JTAG DATA IN
20	TRACEPKT5	TRACE DATA
21	TRST_B	JTAG RESET
22	TRACEPKT4	TRACE DATA
23	TRACEPKT15	TRACE DATA
24	TRACEPKT3	TRACE DATA
25	TRACEPKT14	TRACE DATA
26	TRACEPKT2	TRACE DATA
27	TRACEPKT13	TRACE DATA
28	TRACEPKT1	TRACE DATA
29	TRACEPKT12	TRACE DATA
30	TRACEPKT0	TRACE DATA
31	TRACEPKT11	TRACE DATA
32	TRACESYNC	TRACE SYNCHRONIZATION
33	TRACEPKT10	TRACE DATA
34	PIPESTAT2	TRACE PIPELINE STATUS
35	TRACEPKT9	TRACE DATA
36	PIPESTAT1	TRACE PIPELINE STATUS
37	TRACEPKT8	TRACE DATA
38	PIPESTAT0	TRACE PIPELINE STATUS
39	GND	GROUND SIGNAL
40	GND	GROUND SIGNAL
41	GND	GROUND SIGNAL
42	GND	GROUND SIGNAL
43	GND	GROUND SIGNAL
44	NC	NO CONNECTION

## 3.18 CPLD Programming Connector

P23 is the ETM connector. Figure 3-18 shows pin assignments and Table 3-21 describes the signals.



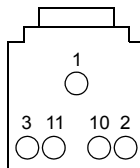
**Figure 3-19. ETM Connector P23 Pin Assignments**

**Table 3-22. ETM Connector P23 Signal Descriptions**

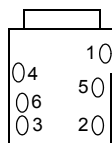
Pin(s)	Signal	Description
1	TCK	JTAG CLOCK
2	GND	GROUND
3	TMS	JTAG MODE
4	GND	GROUND
5	TDI	JTAG DATA IN
6	3V15	+3.15V POWER
7	TDO	JTAG DATA OUT
8	GND	GROUND
9	NC	NO CONNECTION
10	NC	NO CONNECTION

## 3.19 Audio Jacks

Audio connectors (J17-J20 and J22) are standard stereo audio jacks. J18 is a 2.5mm stereo jack and the others are 3.5mm stereo jacks. Figure 3-20 and Figure 3-21 show the stereo jacks terminals. Table 3-23 and Table 3-24 describe the signals and termination.



**Figure 3-20. The bottom view of 3.5mm audio jack (J17, J19, J20 and J22)**



**Figure 3-21. The bottom view of 2.5mm audio jack (J18)**

**Table 3-23. Audio Jacks (J17, J19, J20 and J22) Signal Descriptions**

Jack	Termination				
	1	2	3	10	11
17	GND	MC1LIN	MC1RIN	NC	NC
19	GND	HSR	HSL	NC	NC
20	GND	RXOUTR	RXOUTL	NC	NC
22	GND	RXINR	RXINL	NC	NC
<b>Name</b>					
<b>Signal Description</b>					
MC1LIN	MICROPHONE 1 INPUT LEFT				
MC1RIN	MICROPHONE 1 INPUT RIGHT				
HSL	HEADSET ANALOG OUTPUT LEFT				
HSR	HEADSET ANALOG OUTPUT RIGHT				
RXOUTL	RX OUT LEFT				
RXOUTR	RX OUT RIGHT				
RXINL	RX IN LEFT				
RXINR	RX IN RIGHT				
NC	NO CONNECTION				

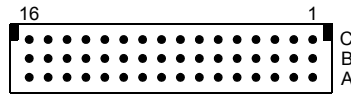
**Table 3-24. Audio Jack (J18) Signal Descriptions**

Jack	Termination					
	1	2	3	4	5	6
18	GND	MC2IN	PM_HSR	HSDETL	MIC	NC
<b>Name</b>						
<b>Signal Description</b>						
GND	GROUND					
MC2IN	MICROPHONE 2 INPUT					
HSR	HEADSET ANALOG OUTPUT RIGHT					
HSDETL	HEADSET DETECT					
MIC	MICROPHONE INPUT FROM JUMPER (JP73)					
NC	NO CONNECTION					

## 3.20 Extension and Image Sensor Connectors

Connectors J12, J13 and J14 are 16 x 3-pin DIN type connectors. J12 is a connector for the Image Sensor module included with the ADS. J13 and J14 are Extension connectors that provide most of the MC9328MX27 signals other than data bus, address bus, EIM control signals, and SDRAM control signals.

Figure 3-22 shows the pin numbering for the J12, J13, and J14 connectors. Table 3-25 through Table 3-27 provide signal descriptions. Table 3-25 covers J12, Table 3-26 covers J13 and Table 3-27 covers J14.



**Figure 3-22. Connectors J12, J13, and J14 Pin Numbering**

**Table 3-25. Image Sensor Connector J12 Signal Description**

Pin(s)	Signal	Description
A1	GND	GROUND
A2	CSI_D0	CMOS SENSOR INTERFACE DATA 0— Image Sensor input data
A3	CSI_D2	CMOS SENSOR INTERFACE DATA 2— Image Sensor input data
A4	CSI_D4	CMOS SENSOR INTERFACE DATA 4— Image Sensor input data
A5	CSI_D6	CMOS SENSOR INTERFACE DATA 6— Image Sensor input data
A6	CSI_PIXCLK	CMOS SENSOR INTERFACE PIXAL CLOCK — Data latch strobe
A7	CSI_VSYNC	CMOS SENSOR INTERFACE VERTICAL SYNC — Control input
A8	I2C_CLK	I <sup>2</sup> C CLOCK — Serial clock, bidirectional
A9	NC	NO CONNECTION
A10	NC	NO CONNECTION
A11	NC	NO CONNECTION
A12	NC	NO CONNECTION
A13	NC	NO CONNECTION
A14	NC	NO CONNECTION
A15	NC	NO CONNECTION
A16	NVDD11	CSI Power Supply
B1	GND	GROUND
B2	CSPI3_MOSI	CSPI3 Master Out Slave In — bidirectional signal
B3	CSPI3_MISO	CSPI3 Master In Slave Out — bidirectional signal
B4	CSPI3_SCLK	CSPI3 Clock — bidirectional signal
B5	CSPI3_SS	CSPI3 Slave Select — bidirectional signal

Table 3-25. Image Sensor Connector J12 Signal Description (continued)

Pin(s)	Signal	Description
B6	I2C2_SDA	I <sup>2</sup> C2 DATA — Serial data, bidirectional
B7	I2C2_SCL	I <sup>2</sup> C2 CLOCK — Serial clock, bidirectional
B8	NC	NO CONNECTION
B9	NC	NO CONNECTION
B10	NC	NO CONNECTION
B11	NC	NO CONNECTION
B12	NC	NO CONNECTION
B13	NC	NO CONNECTION
B14	NC	NO CONNECTION
B15	NC	NO CONNECTION
B16	NVDD11	CSI Power Supply
C1	GND	GROUND
C2	CSI_D1	CMOS SENSOR INTERFACE DATA 1— Image Sensor input data
C3	CSI_D3	CMOS SENSOR INTERFACE DATA 3— Image Sensor input data
C4	CSI_D5	CMOS SENSOR INTERFACE DATA 5— Image Sensor input data
C5	CSI_D7	CMOS SENSOR INTERFACE DATA 7— Image Sensor input data
C6	CSI_HSYNC	CMOS SENSOR INTERFACE HORIZONTAL SYNC— Control input
C7	CSI_MCLK	CMOS SENSOR INTERFACE MASTER CLOCK — Clock output to the sensor card
C8	I2C_DATA	I SQUARED C DATA — Serial data, bidirectional
C9	NC	NO CONNECTION
C10	CPLD_CSI_CTL0	CMOS SENSOR CONTORL 0 — Control output from CPLD
C11	CPLD_CSI_CTL1	CMOS SENSOR CONTORL 1 — Control output from CPLD
C12	CPLD_CSI_CTL2	CMOS SENSOR CONTORL 2 — Control output from CPLD
C13	NC	NO CONNECTION
C14	NC	NO CONNECTION
C15	NC	NO CONNECTION
C16	NVDD11	CSI Power Supply

**Table 3-26. Extension Connector J13 Signal Description**

Pin(s)	Signal	Description
A1	SD1_CLK	SD/MMC CLOCK — Clock output to SD/MMC card
A2	SD1_CMD	SD/MMC COMMAND — Serial command bit to SD/MMC card, bidirectional
A3	SD1_D3	SD/MMC DATA BIT 3 — Serial data bit to SD/MMC card, bidirectional
A4	SD1_D2	SD/MMC DATA BIT 2 — Serial data bit to SD/MMC card, bidirectional
A5	SD1_D1	SD/MMC DATA BIT 1 — Serial data bit to SD/MMC card, bidirectional
A6	SD1_D0	SD/MMC DATA BIT 0 — Serial data bit to SD/MMC card, bidirectional
A7	UART1_RTS	UART1 REQUEST TO SEND — Active low input signal
A8	UART1_CTS	UART1 CLEAR TO SEND — Active low output signal
A9	UART1_RXD	UART1 RECEIVED DATA — Serial input signal
A10	UART1_TXD	UART1 TRANSMITTED DATA — Serial output signal
A11	UART3_RTS	UART3 REQUEST TO SEND — Active low input signal
A12	UART3_CTS	UART3 CLEAR TO SEND — Active low output signal
A13	UART3_RXD	UART3 RECEIVED DATA — Serial input signal
A14	UART3_TXD	UART3 TRANSMITTED DATA — Serial output signal
A15	UART2_RTS	UART2 REQUEST TO SEND — Active low input signal
A16	UART2_CTS	UART2 CLEAR TO SEND — Active low output signal
B1	KP_ROW5	KEYPAD ROW 5 — Bidirectional signal used to scan a keypad
B2	KP_ROW4	KEYPAD ROW 4 — Bidirectional signal used to scan a keypad
B3	KP_ROW3	KEYPAD ROW 3 — Bidirectional signal used to scan a keypad
B4	KP_ROW2	KEYPAD ROW 2 — Bidirectional signal used to scan a keypad
B5	KP_ROW1	KEYPAD ROW 1 — Bidirectional signal used to scan a keypad
B6	KP_ROW0	KEYPAD ROW 0 — Bidirectional signal used to scan a keypad
B7	KP_COL5	KEYPAD COLUMN 5 — Bidirectional signal used to scan a keypad
B8	KP_COL4	KEYPAD COLUMN 4 — Bidirectional signal used to scan a keypad
B9	KP_COL3	KEYPAD COLUMN 3 — Bidirectional signal used to scan a keypad
B10	KP_COL2	KEYPAD COLUMN 2 — Bidirectional signal used to scan a keypad
B11	KP_COL1	KEYPAD COLUMN 1 — Bidirectional signal used to scan a keypad
B12	KP_COL0	KEYPAD COLUMN 0 — Bidirectional signal used to scan a keypad
B13	SSI4_RXD	SYNCHRONOUS SERIAL INTERFACE 4 RECEIVED DATA — Serial input signal
B14	SSI4_FS	SYNCHRONOUS SERIAL INTERFACE 4 FRAME SYNC

**Table 3-26. Extension Connector J13 Signal Description (continued)**

Pin(s)	Signal	Description
B15	UART2_RXD	UART2 RECEIVED DATA — Serial input signal
B16	UART2_TXD	UART2 TRANSMITTED DATA — Serial output signal
C1	GND	GROUND
C2	CSPI1_MOSI	MASTER OUT / SLAVE IN — CSPI data signal (bidirectional)
C3	CSPI1_MISO	MASTER IN / SLAVE OUT — CSPI data signal (bidirectional)
C4	CSPI1_SCLK	SERIAL CLOCK — Bidirectional
C5	CSPI1_SS0	SLAVE SELECT 0 — CSPI signal (bidirectional)
C6	CSPI1_SS1	SLAVE SELECT 1 — CSPI signal (bidirectional)
C7	CSPI1_SS2	SLAVE SELECT 2 — CSPI signal (bidirectional)
C8	CSPI1_RDY	READY — CSPI serial burst trigger, active low input
C9	SSI1_CLK	SYNCHRONOUS SERIAL INTERFACE 1 TRANSMITTER CLOCK — Bidirectional, output in master mode and input in slave mode
C10	SSI1_TXDAT	SYNCHRONOUS SERIAL INTERFACE 1 TRANSMITTED DATA — Serial output signal
C11	SSI1_RXDAT	SYNCHRONOUS SERIAL INTERFACE 1 RECEIVED DATA — Serial input signal
C12	SSI1_FS	SYNCHRONOUS SERIAL INTERFACE 1 FRAME SYNC
C13	SSI4_CLK	SYNCHRONOUS SERIAL INTERFACE 4 TRANSMITTER CLOCK — Bidirectional, output in master mode and input in slave mode
C14	SSI4_TXD	SYNCHRONOUS SERIAL INTERFACE 4 TRANSMITTED DATA — Serial output signal
C15	NC	NO CONNECTION
C16	3V15	+ 3.15 VDC power

**Table 3-27. Extension Connector J14 Signal Description**

Pin(s)	Signal	Description
A1	R_CSPI2_MOSI	CSPI2 MASTER OUT / SLAVE IN — CSPI signal (bidirectional)
A2	R_CSPI2_MISO	CSPI2 MASTER IN / SLAVE OUT — CSPI signal (bidirectional)
A3	R_CSPI2_SCLK	CSPI2 SERIAL CLOCK — CSPI signal (bidirectional)
A4	R_CSPI2_SS0	CSPI2 SLAVE SELECT 0 — CSPI signal (bidirectional)
A5	R_CSPI2_SS1	CSPI2 SLAVE SELECT 1 — CSPI signal (bidirectional)
A6	R_CSPI2_SS2	CSPI2 SLAVE SELECT 2 — CSPI signal (bidirectional)
A7	I2C_CLK	I <sup>2</sup> C CLOCK — Serial clock, bidirectional
A8	I2C_DATA	I <sup>2</sup> C DATA — Serial data, bidirectional

Table 3-27. Extension Connector J14 Signal Description (continued)

Pin(s)	Signal	Description
A9	SSI3_CLK	SYNCHRONOUS SERIAL INTERFACE 3 TRANSMITTER CLOCK — Bidirectional, output in master mode and input in slave mode
A10	SSI3_TXDAT	SYNCHRONOUS SERIAL INTERFACE 3 TRANSMITTED DATA — Serial output signal
A11	SSI3_RXDAT	SYNCHRONOUS SERIAL INTERFACE 3 RECEIVED DATA — Serial input signal
A12	SSI3_FS	SYNCHRONOUS SERIAL INTERFACE 3 FRAME SYNC
A13	SSI2_CLK	SYNCHRONOUS SERIAL INTERFACE 2 TRANSMITTER CLOCK — Bidirectional, output in master mode and input in slave mode
A14	SSI2_TXDAT	SYNCHRONOUS SERIAL INTERFACE 2 TRANSMITTED DATA — Serial output signal
A15	SSI2_RXDAT	SYNCHRONOUS SERIAL INTERFACE 2 RECEIVED DATA — Serial input signal
A16	SSI2_FS	SYNCHRONOUS SERIAL INTERFACE 2 FRAME SYNC
B1	TP116	TEST POINT
B2	TP117	TEST POINT
B3	TP118	TEST POINT
B4	TP119	TEST POINT
B5	TP120	TEST POINT
B6	TP121	TEST POINT
B7	CPLD_USBG_ON_B	USB OTG transceiver ON from CPLD
B8	USBG_SCL	USB OTG SERIAL CLOCK
B9	USBG_SDA	USB OTG SERIAL DATA
B10	TP122	TEST POINT
B11	TP123	TEST POINT
B12	TP124	TEST POINT
B13	TP125	TEST POINT
B14	TP126	TEST POINT
B15	TP127	TEST POINT
B16	CPLD_USB_FSH_ON_B	USB Full Speed Host Transceiver On from CPLD
C1	GND	GROUND
C2	TIN	TIMER INPUT CAPTURE — Timer input
C3	TOUT1	TIMER OUTPUT COMPARE — Timer output
C4	TP136	TEST POINT
C5	TP137	TEST POINT



**Table 3-27. Extension Connector J14 Signal Description (continued)**

<b>Pin(s)</b>	<b>Signal</b>	<b>Description</b>
C6	TP138	TEST POINT
C7	TP139	TEST POINT
C8	TP140	TEST POINT
C9	TP141	TEST POINT
C10	PWMO	PULSE WIDTH MODULATOR OUTPUT
C11	RESET_OUT_B	RESET OUT — Active low reset signal from the processor
C12	TP142	TEST POINT
C13	USB_OC_B	USB OVER CURRENT input active low
C14	USB_PWR	USB POWER
C15	CPLD USB_BYB_B	USB BY PASS input active low from CPLD
C16	3V15	+3.15 VDC power





## **How to Reach Us:**

### **Home Page:**

[www.freescale.com](http://www.freescale.com)

### **E-mail:**

[support@freescale.com](mailto:support@freescale.com)

### **USA/Europe or Locations Not Listed:**

Freescale Semiconductor  
Technical Information Center, CH370  
1300 N. Alma School Road  
Chandler, Arizona 85224  
+1-800-521-6274 or +1-480-768-2130  
[support@freescale.com](mailto:support@freescale.com)

### **Europe, Middle East, and Africa:**

Freescale Halbleiter Deutschland GmbH  
Technical Information Center  
Schatzbogen 7  
81829 Muenchen, Germany  
+44 1296 380 456 (English)  
+46 8 52200080 (English)  
+49 89 92103 559 (German)  
+33 1 69 35 48 48 (French)  
[support@freescale.com](mailto:support@freescale.com)

### **Japan:**

Freescale Semiconductor Japan Ltd.  
Headquarters  
ARCO Tower 15F  
1-8-1, Shimo-Meguro, Meguro-ku,  
Tokyo 153-0064  
Japan  
0120 191014 or +81 3 5437 9125  
[support.japan@freescale.com](mailto:support.japan@freescale.com)

### **Asia/Pacific:**

Freescale Semiconductor Hong Kong Ltd.  
Technical Information Center  
2 Dai King Street  
Tai Po Industrial Estate  
Tai Po, N.T., Hong Kong  
+800 2666 8080  
[support.asia@freescale.com](mailto:support.asia@freescale.com)

### **For Literature Requests Only:**

Freescale Semiconductor Literature Distribution Center  
P.O. Box 5405  
Denver, Colorado 80217  
1-800-441-2447 or 303-675-2140  
Fax: 303-675-2150  
[LDCForFreescaleSemiconductor@hibbertgroup.com](mailto:LDCForFreescaleSemiconductor@hibbertgroup.com)

RoHS-compliant and/or Pb-free versions of Freescale products have the functionality and electrical characteristics of their non-RoHS-compliant and/or non-Pb-free counterparts. For further information, see <http://www.freescale.com> or contact your Freescale sales representative.

For information on Freescale's Environmental Products program, go to <http://www.freescale.com/epp>.

Information in this document is provided solely to enable system and software implementers to use Freescale Semiconductor products. There are no express or implied copyright licenses granted hereunder to design or fabricate any integrated circuits or integrated circuits based on the information in this document.

Freescale Semiconductor reserves the right to make changes without further notice to any products herein. Freescale Semiconductor makes no warranty, representation or guarantee regarding the suitability of its products for any particular purpose, nor does Freescale Semiconductor assume any liability arising out of the application or use of any product or circuit, and specifically disclaims any and all liability, including without limitation consequential or incidental damages. "Typical" parameters that may be provided in Freescale Semiconductor data sheets and/or specifications can and do vary in different applications and actual performance may vary over time. All operating parameters, including "Typicals", must be validated for each customer application by customer's technical experts. Freescale Semiconductor does not convey any license under its patent rights nor the rights of others. Freescale Semiconductor products are not designed, intended, or authorized for use as components in systems intended for surgical implant into the body, or other applications intended to support or sustain life, or for any other application in which the failure of the Freescale Semiconductor product could create a situation where personal injury or death may occur. Should Buyer purchase or use Freescale Semiconductor products for any such unintended or unauthorized application, Buyer shall indemnify and hold Freescale Semiconductor and its officers, employees, subsidiaries, affiliates, and distributors harmless against all claims, costs, damages, and expenses, and reasonable attorney fees arising out of, directly or indirectly, any claim of personal injury or death associated with such unintended or unauthorized use, even if such claim alleges that Freescale Semiconductor was negligent regarding the design or manufacture of the part.

Freescale™ and the Freescale logo are trademarks of Freescale Semiconductor, Inc. All other product or service names are the property of their respective owners.

© Freescale Semiconductor, Inc. 2006. All rights reserved.