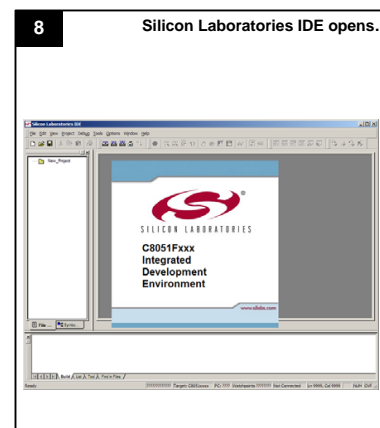
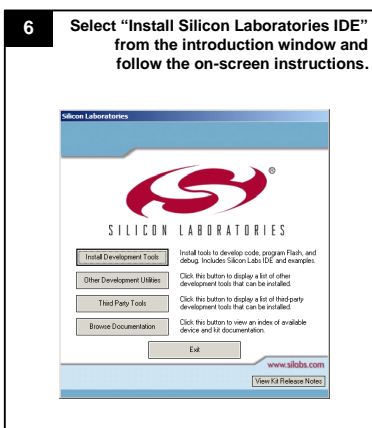
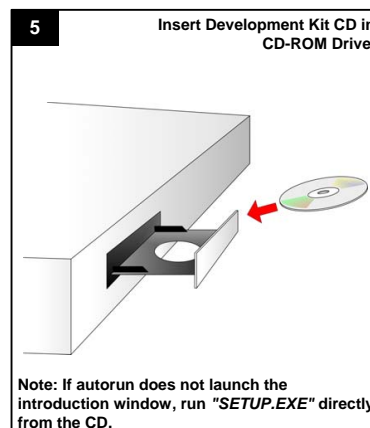
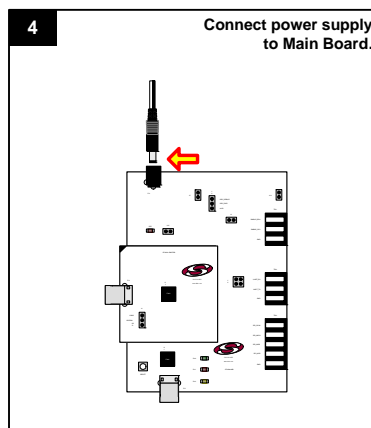
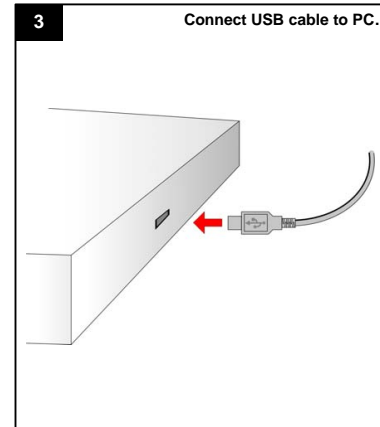
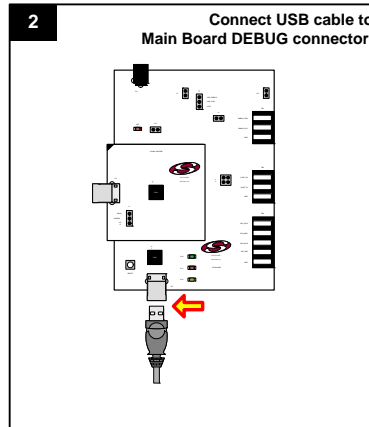
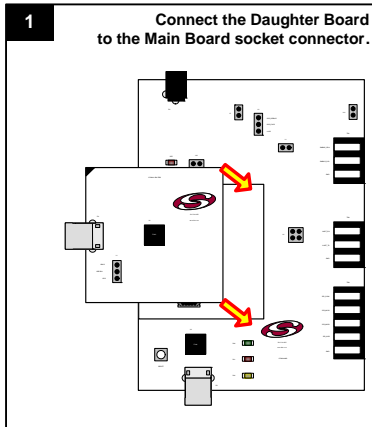


CP2501DK DEVELOPMENT KIT QUICK-START GUIDE

Installation



Example Program

9 Open project file "CP250x_NoScreen_Raonance.wsp" located at "C:\SI_Labs\MCU\Examples\CP250x\NoScreen".

10 Select "Connection Options..." from "Options" menu.

Select USB Debug Adapter

Select C2 Debug Interface

11 Connect to Target Board.

12 Click on "CP250x_Main.c" to open source file.

13 Build and Download the program.

14 Execute example program Green LED on target board flashes as program runs.

15 Stop execution of example program.

16 Set a breakpoint.

17 Execute program breakpoint encountered.

18 Step through program.

19 Open Debug windows.

20 View/modify Peripherals, Registers, Memory.

If you are having trouble installing and/or using the development kit, please use the following support resources:

- CP2501 Development Kit User's Guide (click "Browse Documentation" from the CD introduction window)
- Latest versions of Application Notes can be found at <http://www.silabs.com/products/microcontroller/applications.asp>
- MCU Knowledgebase (available at www.silabs.com → SUPPORT)
- Contact an Applications Engineer using the online information request form (available at www.silabs.com → SUPPORT).