



## 5W Low Cost Linear Eliminator PSAA05 Adapters Meet EISA and Level V Requirements



### Features

- Double Insulated
- Efficiency Level V Compliance
- Small Package Size
- Low Leakage Current
- Low Cost
- Class B EMI

### Applications

- MPEG Players
- PDAs
- Personal Electronics
- Digital Cameras

### Safety Approvals

- CE
- cUL/UL
- C-Tick
- TUV
- SAA

### Mechanical Characteristics<sup>(1)</sup>

- Length: 66.5mm (2.62in)
- Width: 28.0mm (1.10in)
- Height: 39.0mm (1.54in)
- Weight: 85g (3oz)

### Output Specifications

Model	DC Output Voltage	Load		Ripple <sup>(2)</sup> P-P (max.)	Regulation Line & Load	Efficiency Level
		Min.	Max.			
PSAA05X-050 <sup>(3)</sup>	5.0V	0A	1A	100mV	±5%	

Notes:

- (1) Mechanical characteristics for PSAA05A-050 model
- (2) Measured with an oscilloscope with 20MHz (or over) bandwidth. Outputs should be bypassed at a connector with a 0.1uF ceramic capacitor and a 10uF electrolytic capacitor.
- (3) x = A for US version, E for EU version, K for UK version, S for Australian version  
(Note) MOQ of 2200 pieces for EU and Australian models and 2100 pieces for UK model

Phihong is not responsible for any error, and reserves the right to make changes without notice. Please visit our website at [www.phihong.com](http://www.phihong.com) for the most up-to-date specifications and contact information.

**Input:**

**AC Input Voltage Rating**

100 to 240V AC

**AC Input Voltage Range**

90 to 264V AC

**AC Input Frequency**

47 to 63Hz

**Input Current**

0.3A (RMS) maximum at 90V AC

**Leakage Current**

20uA maximum at 240V AC, 50Hz

**Inrush Current**

45A maximum at 264V AC  
(Cold start at ambient 25°C)

**Input Power Saving**

<0.3W maximum at no load

**Output:**

**Efficiency**

≥68% average efficiency

**Environmental:**

**Temperature**

Operation 0 to +50°C  
Non-operation -25 to +75°C  
Humidity 0 to 90%

**Emissions**

EN55022 Class B

**Immunity**

IEC61000-4-2  
IEC61000-4-3  
IEC61000-4-4  
IEC61000-4-5  
IEC61000-4-6  
IEC61000-4-11  
EN61000-3-2

**Over-Voltage Protection**

7.2V DC maximum

**Over-Current Protection**

2.2A maximum

**Short-Circuit Protection**

Output equipped with short circuit protection with auto restart  
Output can be shorted permanently without damage

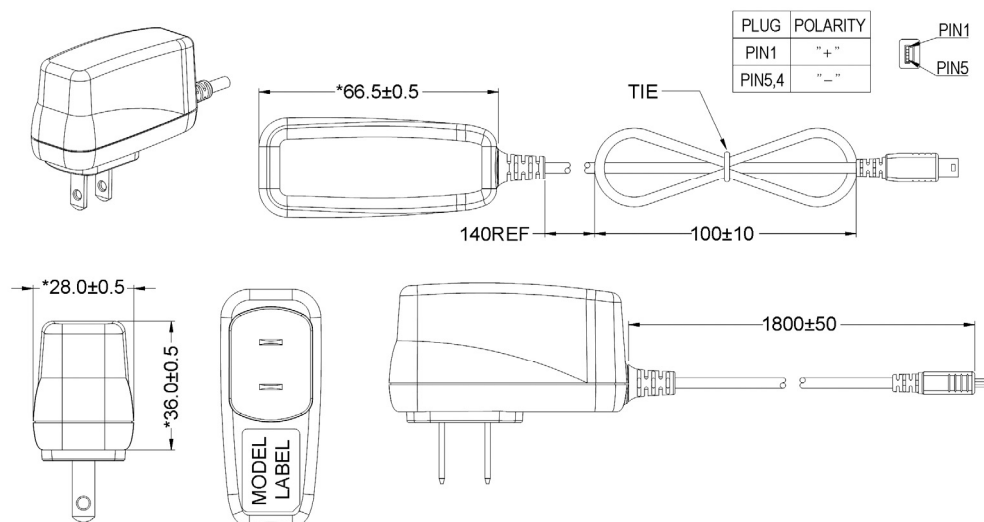
**Dielectric Withstand (Hi-pot) Test**

Primary to Secondary: 3000V AC for 1 min., 60mA

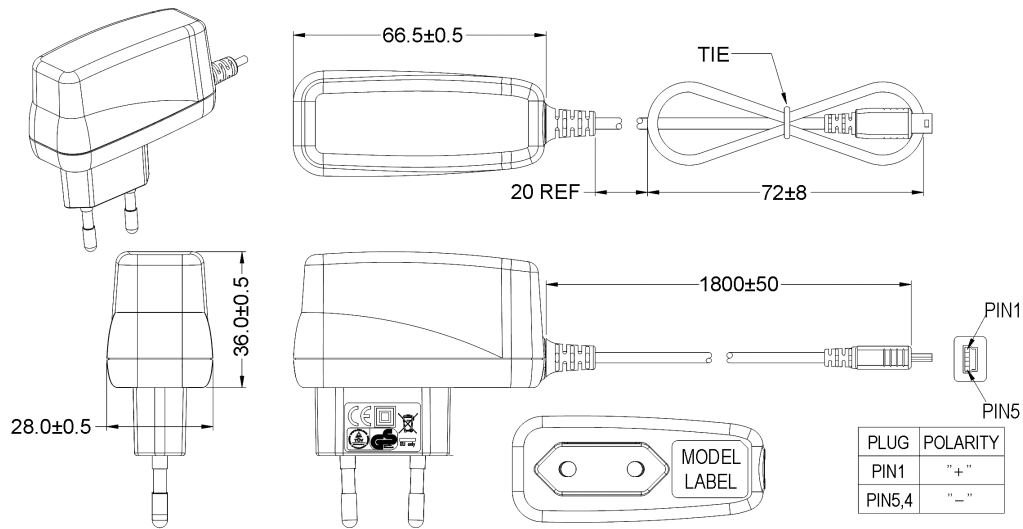
**DC Output Connector**

Mini-USB

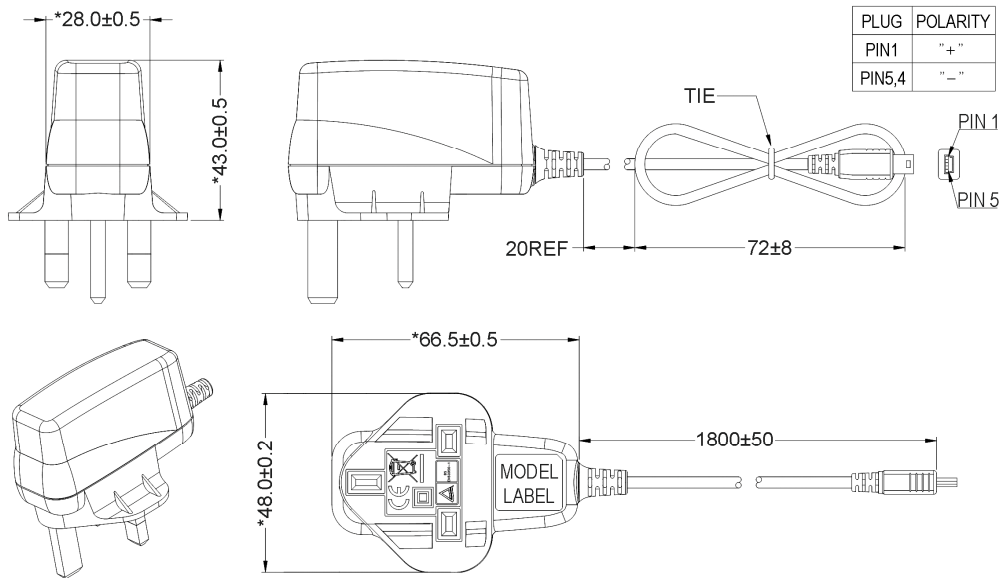
**Dimension Diagram Unit: mm PSAA05A-050**



**Dimension Diagram Unit: mm PSAA05E-050**



**Dimension Diagram Unit: mm PSAA05K-050**



**Dimension Diagram Unit: mm PSAA05S-050**

