

DT62/80-C Series



62W to 80W AC-DC External Power Supplies

- ◆ CEC, & EISA⁽¹⁾ Compliant Models
- ◆ Wide Range AC Input
- ◆ Power Factor Correction (DT80)
- ◆ Low Profile & Lightweight

RoHS

Features and Benefits

Feature	Benefit
◆ CEC and EISA Compliant	◆ Easier system compliance
◆ Wide Range AC Input	◆ Global Operation
◆ > 85% Efficient	◆ Consumes less energy

Specifications

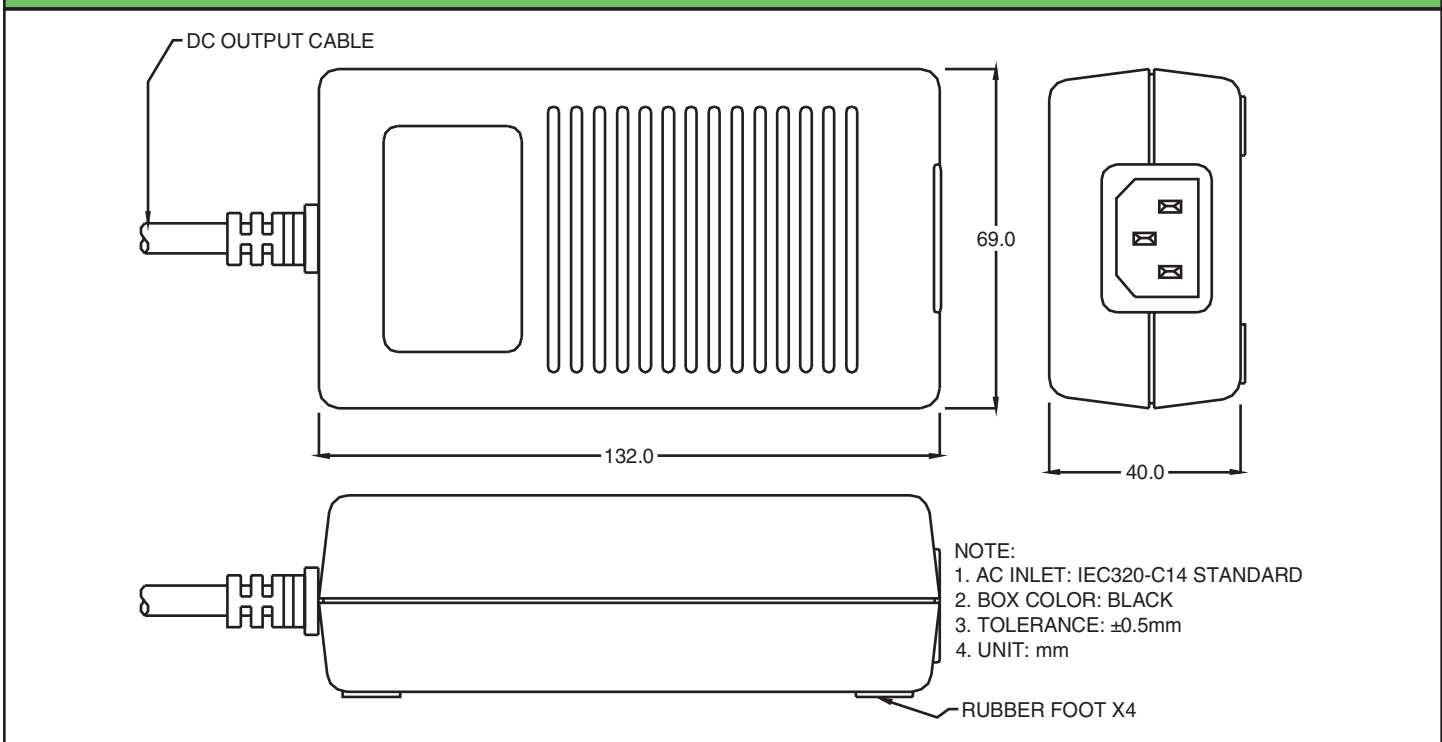
MODELS		DT62PWxxx-C	DT80PWxxx-C
ITEMS			
Input Voltage range	VAC	90 - 264VAC (47 - 63Hz)	
Inrush Current	A	<50A at 230VAC input, 25°C ambient cold start	
Input Current (Maximum)	A	2.5A	
Power Factor	-	None	Typically 0.9 at full load(Meets EN61000-3-2)
Leakage Current (typ, 264VAC 63Hz)	mA	0.7mA	
Hold Up Time (Typ)	ms	16ms at 115VAC input	
Temperature Coefficient	°C	±0.05%/°C	
Voltage Accuracy	%	±1%	
Adjustment Range	-	None	
Minimum Load	-	None	
Total Regulation	-	±5%	
Ripple & Noise	%	1%	
Short Circuit Protection	-	Continuous - hiccup mode (110-160%)	
Overvoltage Protection	V	110 - 130% of nominal (Cycle input power to reset)	
Efficiency	%	>85% typical	
Operating Temperature	°C	0 to +40°C Full load, derate linearly to 50% load at 60°C	
Storage Temperature	°C	-10 to +70°C	
Humidity (non condensing)	-	10 - 90% RH	
Cooling	-	Convection	
Withstand Voltage	-	Input to Ground 1.5kVAC, Input to Output 3kVAC (Output is connected to Ground)	
Vibration (non operating)	-	23.52m/s ² (10 - 55Hz: constant sweep 1 min X, Y, Z for 1 hour)	
Shock	-	< 196.1 m/s ² (20G)	
Safety Agency Approvals	-	UL60950-1, EN609501-1, IEC60950-1	
California Energy Commission (CEC)	-	See model selector	
EISA ⁽¹⁾	-	See model selector	
Offload Power Consumption	W	< 0.5W	
Conducted & Radiated EMI	-	EN55022-B, FCC Class B	
Immunity	-	EN55024	
Weight (Typ)	g	410g	
Size (WxLxH)	in	2.71 x 5.2 x 1.57	
Cable Length and Thickness	mm	1050mm	
AC Input Connector	-	IEC 320-C14 (Accepts IEC 320-C13)	
Output Connector	-	Kycon KPPx-4P or equivalent. Pins 1 & 2: -Vout, Pins 3 & 4: +Vout	
MTBF (MIL-HNBK), 100% load, 25C	hours	223,933 Hours	203,109 Hours
Warranty	yrs	One Year	

(1) EISA - Energy Independence and Security Act of 2007.

Output Ratings

Model	Output (V)	Maximum Output (A)	Maximum Power (W)	CEC		EISA Level IV	EISA Level V
				IV	V		
DT62PW090C	9	5.56	50	-	-	-	-
DT62PW120C	12	5.17	62	Y	-	Y	-
DT62PW150C	15	4.14	62	-	Y	-	Y
DT62PW180C	18	3.54	64	-	Y	-	Y
DT62PW240C	24	2.59	62	-	Y	-	Y
DT80PW090C	9	8.00	72	-	-	-	-
DT80PW120C	12	6.67	80	Y	-	Y	-
DT80PW150C	15	5.33	80	Y	-	Y	-
DT80PW180C	18	4.45	80	-	Y	-	Y
DT80PW240C	24	3.34	80	-	Y	-	Y

Outline Drawings



Other AC-DC Products

DTM65-C	65W CEC Compliant Medical Adapters
DT100/150-C	100W to 150W CEC Compliant Adapters
DTM110-C	110W CEC Compliant Medical Adapters

For Additional Information, please visit
us.tdk-lambda.com/lp/products/dt-c-series.htm