



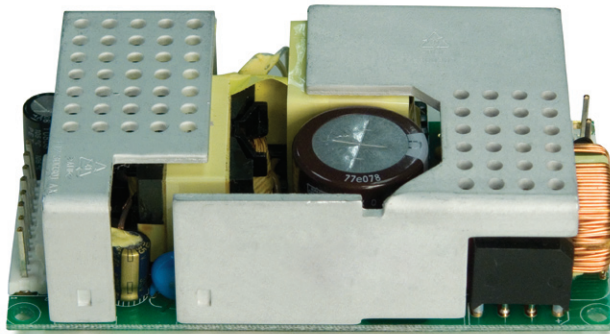
TECHNICAL SUPPORT

WORLDWIDE
1-888-357-2280
saleselpac@iccus.com
www.iccus.com

EUROPE
+44.1383.432920
saleseurope@iccus.com

Elpac Power Systems™

HIGHER EFFICIENCY, HIGHER POWER DENSITY, UNCOMPROMISED RELIABILITY



5-YEAR LIMITED WARRANTY*

- High Efficiency: Level V
- Up to 120W with Forced Air
- High Power Density 8.7/in³
- Hold-up Time >60ms at full load
- EISA and CEC Compliant
- Power Factor Correction
- Grounded Output
- Safety Approval - EN60950-1

Input	
Input Voltage	85 – 264VAC 100 – 240VAC Nominal
Input Frequency	47 – 63Hz
Input Current	<2A rms
Inrush Current	<37A at 230VAC cold start
Power Factor	>0.96
Zero Load Power Consumption	<0.5W
Touch Current / Leakage Current	<125µA @ 132VAC @ 60Hz
	<175µA @ 264VAC @ 60Hz

Output	
Output Voltage	See Table
Total Regulation	+/-5%
Minimum Load	No minimum load required
Start-Up Delay	<750ms
Hold-Up Time	>60ms at any input voltage
Ripple & Noise	<1% pk-pk **
Over Voltage Protection	110 – 135%
Over Temperature Protection	Active - Recoverable; plus Passive - Non Recoverable
Over Current Protection	120 – 180%
Short Circuit Protection	Shutdown, auto-restart (hiccup mode)

Notes

*visit www.iccus.com for complete details

**Ripple and noise measured with 20MHz bandwidth; 10µF tantalum capacitor in parallel with a 0.1µF ceramic capacitor.





Model Number	Output Voltage	Output Current ¹	Forced Air Current ²	Total Regulation ³	Typical Efficiency ⁴
FVA100012A	12.0V	8.3A	10.0A	±5%	88%
FVA100015A	15.0V	6.7A	8.0A	±5%	88%
FVA100018A	18.0V	5.6A	6.7A	±5%	89%
FVA100024A	24.0V	4.2A	5.0A	±5%	89%

Notes

- 1) With convection cooling. Peak load (120W) lasting 500ms with a maximum 10% duty cycle.
- 2) Sustained output current with minimum 100 LFM.
- 3) Includes initial setting, line regulation, load regulation, and thermal drift.
- 4) Typical at 115VAC and full load.

General	
Efficiency	Avg Efficiency 88.6% @ 115VAC; 89.5% @ 230VAC
MTBF	min. 200,000 hours demonstrated
Size	4.50" (114mm) x 2.5" (63.5mm) x 1.22" (30.9mm)
Weight	0.66 lbs (0.30 Kg)
Power Density	8.7W/in ³ (at 120W)

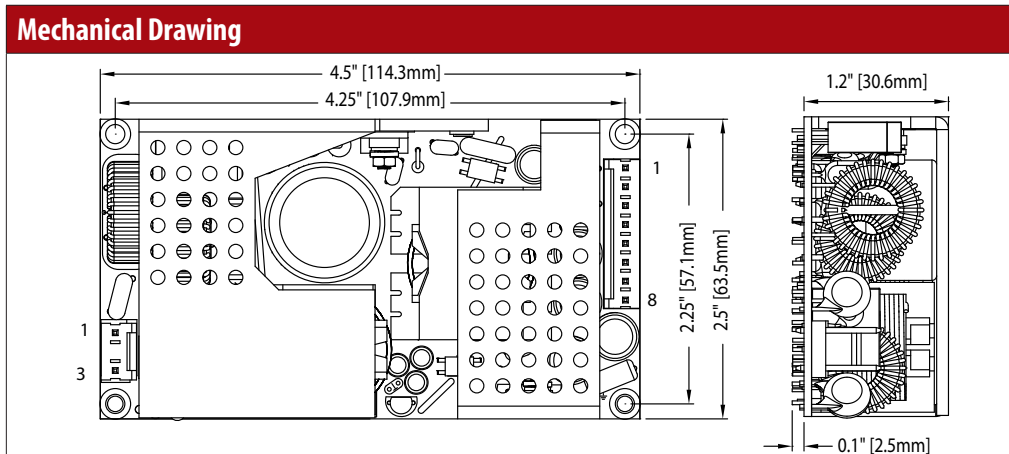
Environmental	
Operating Temperature	0 – 70°C (Full load to 50°C, derate linearly to 50% load at 70°C)
Storage Temperature	-40°C to +85°
Relative Humidity	5-95%, non-condensing
Cooling	Natural Convection (100W) or Forced Air (120W)
Vibration	All units production tested to 19.6m/s ²

EMC & Safety	
Emissions	FCC class B, CISPR22 class B EN61000-3-2, -3
Immunity	EN61000-4-2, -3, -4, -5, -6, -8, -11
Certified by TUV to the following:	cTUVus
	UL 60950-1
	CAN/CSA-22.2 No.60950-1
	CB per IEC60950-1
	CE marked to LVD

Input Configuration	
Standard Input Cable	Not provided
Connection on Power Supply Body	AMP 640445-3
Mating Connector	AMP 640250-3 or Equivalent

Output Configuration	
Standard Output Cable	Not provided
Connector (PSU side)	AMP 640445-8
Mating Connector	AMP 640250-8 or equivalent

Output Pin Assignments	
Pin 1	+V1
Pin 2	+V1
Pin 3	+V1
Pin 4	+V1
Pin 5	Return
Pin 6	Return
Pin 7	Return
Pin 8	Return



Ordering Options Available
Cooling
Floating Output
Chassis Mount
Cable Harness
Load Share
Cover