



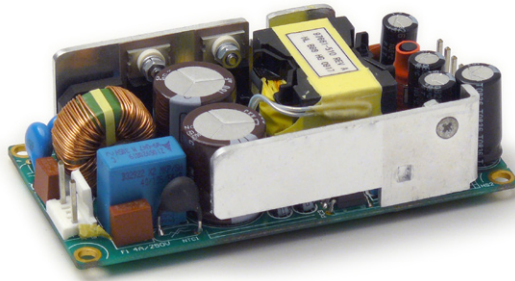
→E Elpac Power Systems™

HIGHER EFFICIENCY, HIGHER POWER DENSITY, UNCOMPROMISED RELIABILITY

TECHNICAL SUPPORT

WORLDWIDE
1-888-357-2280
saleselpac@iccus.com
www.iccus.com

EUROPE
+44.1383.432920
saleseurope@iccus.com



- High Efficiency: Level V
- High Power Density 12.5W/in³
- Output Floating
- Lifetime expectation >5 years
- Hold-up Time 28ms at full load
- Medical Approval - EN60601-1 Class I

5-YEAR LIMITED WARRANTY*

Input	
Input Voltage	85 – 264VAC 100 – 240VAC Nominal
Input Frequency	47 – 63Hz
Input Current	<2A rms
Inrush Current	<37A at 230VAC cold start
Zero Load Power Consumption	<0.3W
Earth Leakage Current	<75µA @ 132VAC @ 60Hz
	<120µA @ 264VAC @ 60Hz
Patient Leakage Current	<40µA @ 132VAC @ 60Hz
	<60µA @ 264VAC @ 60Hz

Output	
Output Voltage	See Table
Total Regulation	+/-5%
Minimum Load	No minimum load required
Start-Up Delay	<0.2s
Hold-Up Time	>28ms at full load
Ripple & Noise	<1% pk-pk **
Over Voltage Protection	120 - 150%
Over Temperature Protection	Active - Recoverable; plus Passive - Non Recoverable
Over Current Protection	110 - 190%
Short Circuit Protection	shutdown, auto-restart (hiccup mode)

Notes

*visit www.iccus.com for complete details

**Ripple and noise measured with 20MHz bandwidth; 10µF tantalum capacitor in parallel with a 0.1µF ceramic capacitor.





Model Number	Output Voltage	Output Current ¹	Peak Current ²	Total Regulation ³	Minimum Efficiency ⁴
MTB080009A	9.0V	7.2A (65W)	10.0A (90W)	±5%	88%
MTB080012A	12.0V	6.7A (80W)	8.3A (100W)	±5%	90%
MTB080015A	15.0V	5.4A (80W)	6.7A (100W)	±5%	90%
MTB080024A	24.0V	3.4A (80W)	4.2A (100W)	±5%	91%

Notes

- 1) Maximum load current with natural convection cooling
- 2) Maximum peak load lasting up to 4 seconds with natural convection cooling, or maximum continuous output current with minimum 5 CFM airflow.
- 3) Includes initial setting, line regulation, load, regulation, and thermal drift.
- 4) Typical at 115VAC and full load (65W)

General	
Efficiency:	Avg. Efficiency 89.6% @115VAC, 90.3% at 230VAC
MTBF	min. 200,000 hours demonstrated
Size	4.00" (101.6mm) x 2.00" (50.8mm) x 1.01" (25.7mm)
Weight	0.37 lbs (.166 Kg)
Power Density:	12.5W/in ³

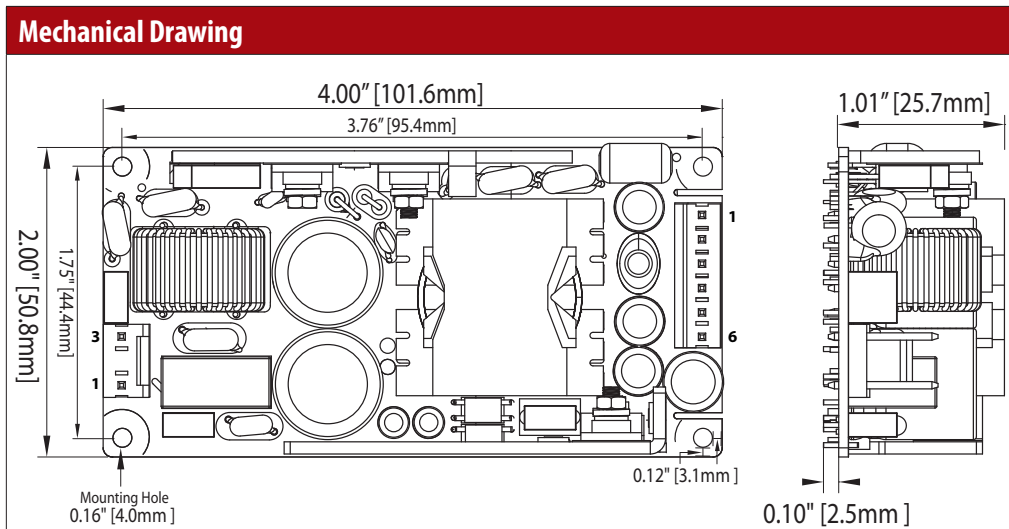
Environmental	
Operating Temperature	0 - 50°C @ full load, linearly derated to 50% load at 70°C
Storage Temperature	-40°C to +85°
Relative Humidity	5-95%, non-condensing
Cooling	Natural Convection
Vibration	All units production tested to 19.6m/s ²

EMC & Safety	
Emissions	FCC class B, CISPR11 class B, EN61000-3-2,-3
Immunity	EN61000-4-2, -3, -4, -5, -6, -8, -11
Certified by TUV to the following:	cTUVus
	UL 60601-1
	CAN/CSA-22.2 No.601.1-M90
	CB per IEC60601-1
	CE marked to LVD

Input Configuration	
PSU side	AMP 640445-3 or equivalent
Cable side	AMP 640250-3 or equivalent

Output Configuration	
PSU side	AMP 640445-6 or equivalent
Cable side	AMP 640250-6 or equivalent

Output Pin Assignments (P2)	
Pin 1	+Vout
Pin 2	+Vout
Pin 3	Return
Pin 4	Return
Pin 5	N/C
Pin 6	N/C



Input Pin Assignments (P1)	
Pin 1	AC Line
Pin 2	<not assembled>
Pin 3	AC Neutral

Ordering Options Available (Contact Factory)

Grounded Output