

Model P231
 24mm Rotary Potentiometer
 Conductive Plastic Element
 100,000 Cycle Life
 Metal shaft / Bushing
 RoHS Compliant



MODEL STYLE

Side Adjust , Solder Lugs

P231

ELECTRICAL¹

Resistance Range, Ohms	500-1M
Standard Resistance Tolerance	± 20%
Residual Resistance	20 ohms max.
Input Voltage, maximum	500 Vac max.
Power rating, Watts	0.5W- B taper, 0.25W-others
Dielectric Strength	500Vac, 1 minute
Insulation Resistance, Minimum	100M ohms at 250Vdc
Sliding Noise	100mV max.
Actual Electrical Travel, Nominal	260°

MECHANICAL

Total Mechanical Travel	300°± 10°
Static Stop Strength	70 oz-in
Rotational Torque	0.5 to 1.25 oz-in

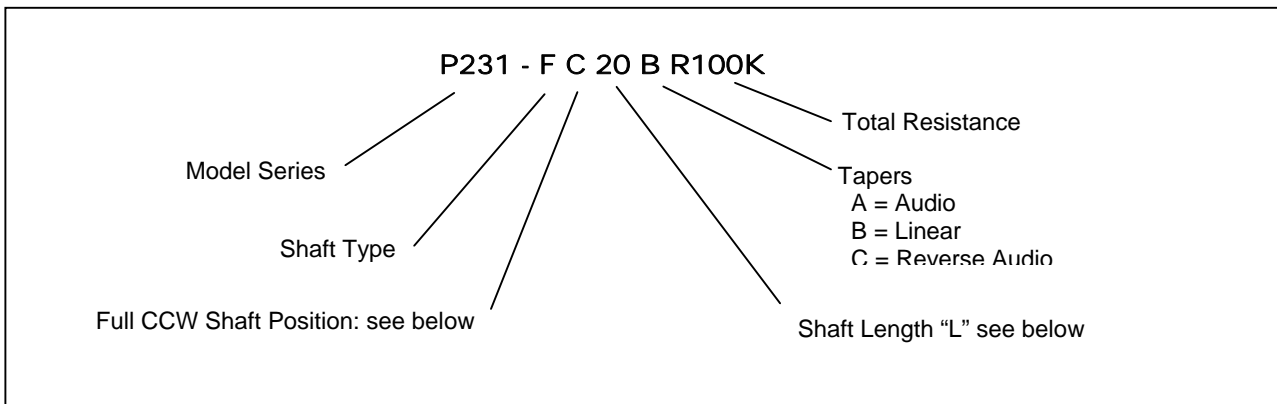
ENVIRONMENTAL

Operating Temperature Range	-20°C to +70°C
Rotational Life	100,000 cycles

¹ Specifications subject to change without notice.

Model P231

ORDERING INFORMATION²

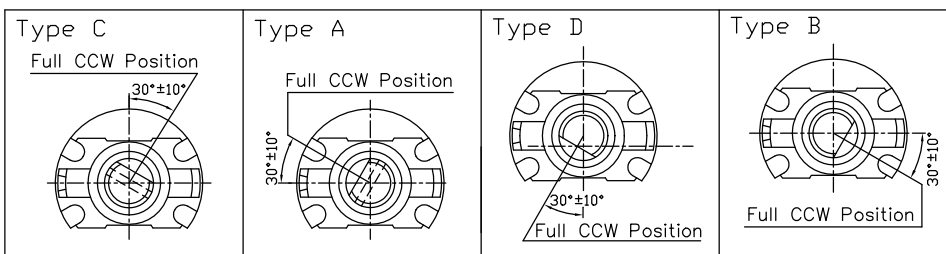


Shaft Types

E-TYPE						F-TYPE						Q-TYPE					
L	15	20	25	30	35	L	15	20	25	30	35	L	15	20	25	30	35
						T	7	12	12	12	12	T	6	10	12	12	12

Shaft Position (F-Type Shaft)

Dashed lines on Type "C" and Type "A" shows position of adjustment slot for E-Type and Q-Type shafts



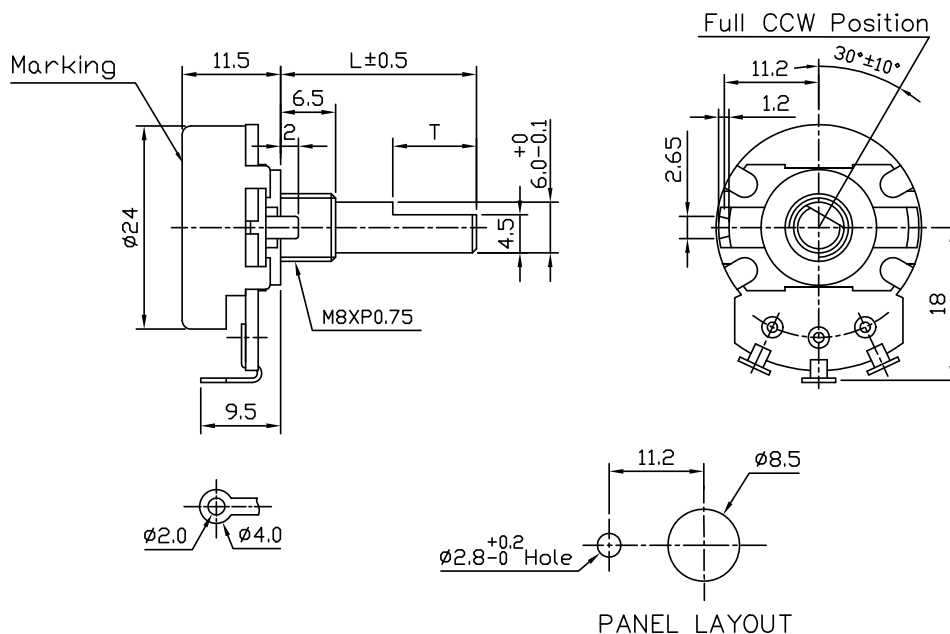
STANDARD RESISTANCE VALUES, OHMS

500 1K 2K 5K 10K 20K 50K 100K 200K 500K 1MEG

² Contact our customer service for custom designs and features.

Model P231

OUTLINE DRAWING



CIRCUIT DIAGRAM

