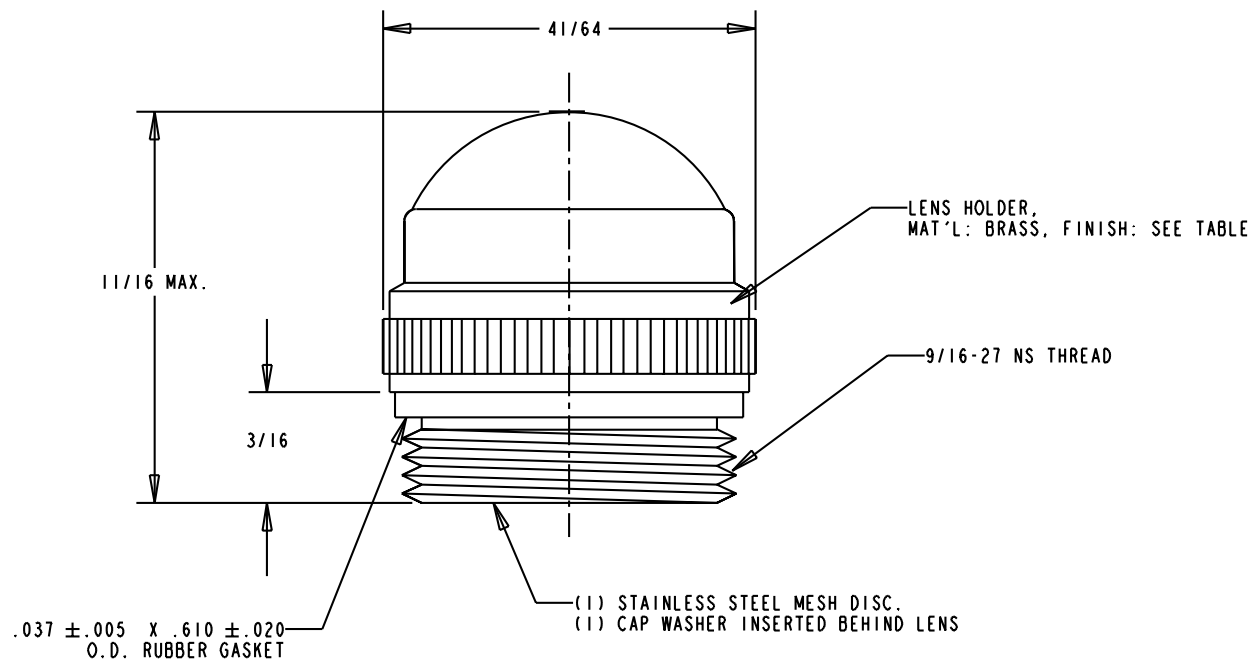


REV.	ECN NO.	REVISIONS	DRN.	CKD.	APP.	DATE
A	—	NEW RELEASE	DC			



CATALOG P/N	LENS COLOR	LENS HOLDER FINISH
222-0111-203	RED	BLACK NICKEL
222-0113-303	AMBER(YELLOW)	CHROME
222-0131-303	RED	CHROME
222-0132-303	GREEN	CHROME
222-0133-303	AMBER(YELLOW)	CHROME
222-0135-203	WHITE TRANSLUCENT	BLACK NICKEL
222-0135-303	WHITE TRANSLUCENT	CHROME
222-0137-203	CLEAR	BLACK NICKEL

THIS DRAWING AND THE CONTENTS HEREIN ARE CONFIDENTIAL AND THE SOLE PROPERTY OF DIALIGHT. REPRODUCTION OF THIS DRAWING OR CONSTRUCTION OF ANY PARTS WITHIN THIS DRAWING ARE FORBIDDEN WITHOUT THE WRITTEN CONSENT OF DIALIGHT.		
SCALE: DRAWING SCALE ALL DIM'S IN: INCHES (MM)	DRAWING NUMBER C-16844	REV A
TOLERANCES: UNLESS OTHERWISE SPECIFIED FRACTIONS: ±1/64 DECIMALS (.XX): ±.01 DECIMALS (.XXX): ±.005 DECIMALS (.XXXX): ±.0005 ANGLES: ±1°	TITLE CAP ASSEMBLY	
FINISH:	MATERIAL	
FSCM 83330	<b>Dialight</b>	1501 ROUTE 34 SOUTH FARMINGDALE, NJ 07727
	SHEET OF	FAMILY TABLE: