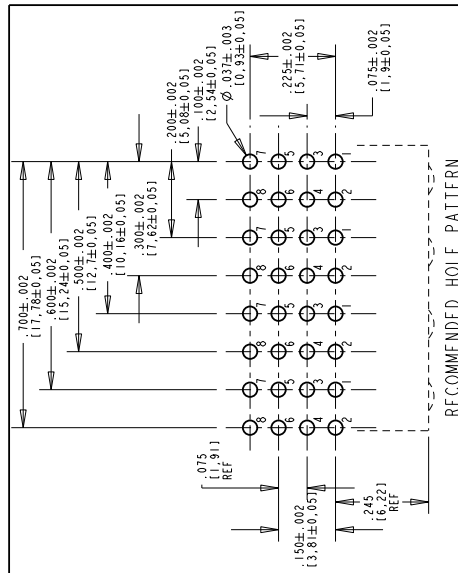
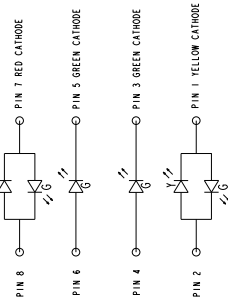


LED COLOR	RED / GREEN BI-COLOR
POS. 1	GREEN
POS. 2	GREEN
POS. 3	GREEN
POS. 4	YELLOW / GREEN BI-COLOR

- NOTES:
- LEADS TO FIT INTO HOLES SPACED AS PER HOLE PATTERN
 - LEADS TO BE FREE OF DEFORMATION AFTER BENDING AND CUTTING
 - PIN NUMBERS FOR REFERENCE ONLY. DESIGNATION NON-EXISTENT ON PART
 - SEE DIMENSIONS FOR POS. 1, 2, 3, 4
 - PACKAGING = 500 BLOCKS / BOX
 - BLOCKS PLACED IN CLEAR ANTI-STATIC TRAY
 - DIALIGHT PART NUMBER = 568-0016-821F

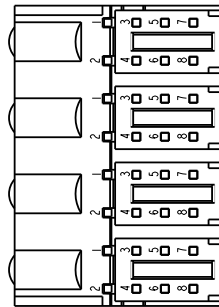
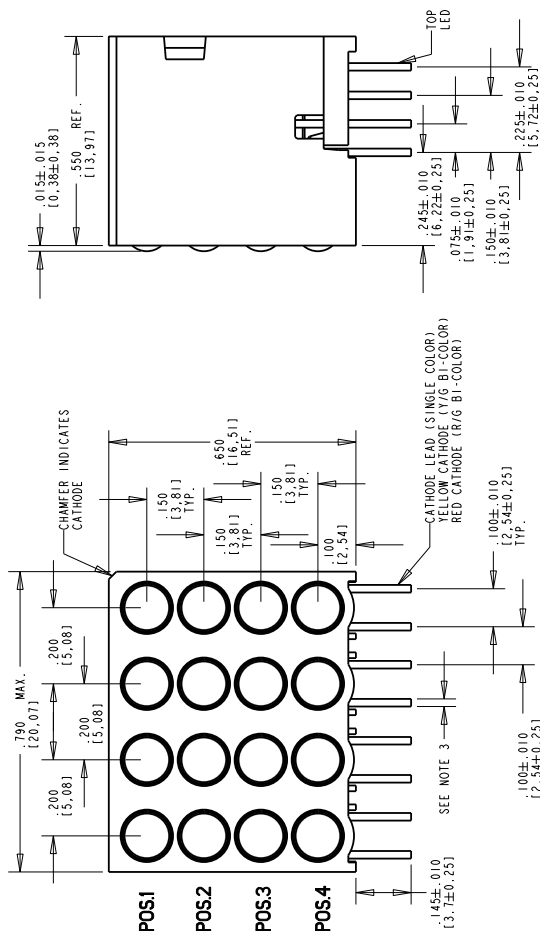
LED SCHEMATICS (REF.)



CHARACTERISTICS	OPERATING CHARACTERISTICS AT 25°C AMBIENT			TEST CONDITIONS		
	COLOR	MIN	TYP	MAX	UNITS	TEST CONDITIONS
LUMINOUS INTENSITY	GREEN	4.7	12.6			
	RED/GREEN	2.5/3.7	4.7/10.0		mA	$I_f = 10$ mA
	YELLOW/GREEN	2.5	4.3/6.3			
FORWARD VOLTAGE	RED/GREEN	2.0/2.1	2.8		V	$I_f = 20$ mA
	YELLOW/GREEN					
PEAK WAVELENGTH	GREEN	565			nm	
	RED/GREEN	635/565				
VIEWING ANGLE (2 θ 1/2)	RED/GREEN	60			Degree	
	YELLOW/GREEN	80				
REVERSE CURRENT	RED/GREEN	1.00			mA	$V_r = 5$ V
	YELLOW/GREEN					

ABSOLUTE MAXIMUM RATING AT 25 °C AMBIENT	GREEN			RED/GRN			YELLOW/GRN		
	UNITS	100	100	100	UNITS	100	100	UNITS	100
POWER DISSIPATION									
DERATE LINEARLY FROM 50 °C									
CONTINUOUS FORWARD CURRENT	0.4	0.4	0.25/0.4		mA/°C				
PEAK FORWARD CURRENT (1/10 DUTY CYCLE, 0.1 ms PULSE WIDTH)	30	30	20/30		mA				
REVERSE VOLTAGE	5	5	5		V				
LEAD SOLDERING TEMPERATURE, 5 SEC, 1/16" FROM BODY	260	260	260		°C				
OPERATING TEMPERATURE	-55	10	+100		°C				
STORAGE TEMPERATURE	-55	10	+100		°C				

REV	ECN NO	REVISIONS	DRN	CD	APP	DATE
A		NEW RELEASE	TWC	NO	MES	11-12-05
B	06060201	CORRECTED DIMENSIONS IN THE RECOMMENDED HOLE PATTERN TO MATCH ACTUAL LEAD PATTERN				



RoHS Compliant 568-0016-821F 4 X 4 Thru Hole CBI

Part Numbers with the "F" suffix ending are RoHS Compliant.
 Packaging is marked with "RoHS Compliant" label or
 marking on the package.
 Parts can be wave soldered, dip soldered or hand soldered using
 typical lead-free soldering process with max 260°C temp. for 5 sec.

THIS DRAWING AND THE CONTENTS HEREIN ARE CONFIDENTIAL AND NOT TO BE REPRODUCED OR TRANSMITTED IN ANY FORM OR BY ANY MEANS OR CONSTRUCTION OF ANY PARTS WITHIN THIS DRAWING ARE FORBIDDEN WITHOUT THE WRITTEN CONSENT OF DIALIGHT.	
SCALE: 4:000	DRAWING NUMBER: C-17327
ALL DIMS IN: INCHES (MM)	REV: B
TOLERANCES: UNLESS OTHERWISE SPECIFIED	TITLE: (4 X 4) CBI BLOCK
DECIMALS: .001, .01	MATERIAL: ROHS COMPLIANT
DECIMALS (.XXX): ±.005	FINISH: .001
FINISH: .001	
1-SCM: 83330	SHEET: 1 OF 1 FAMILY TABLE:
Dialight 1501 ROUTE 34 SOUTH FARMINGDALE, NJ 07171	