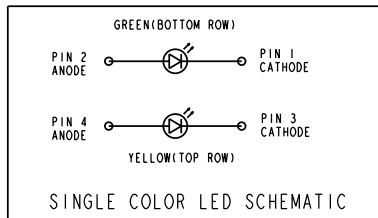
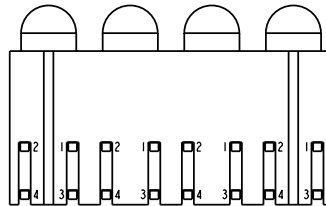
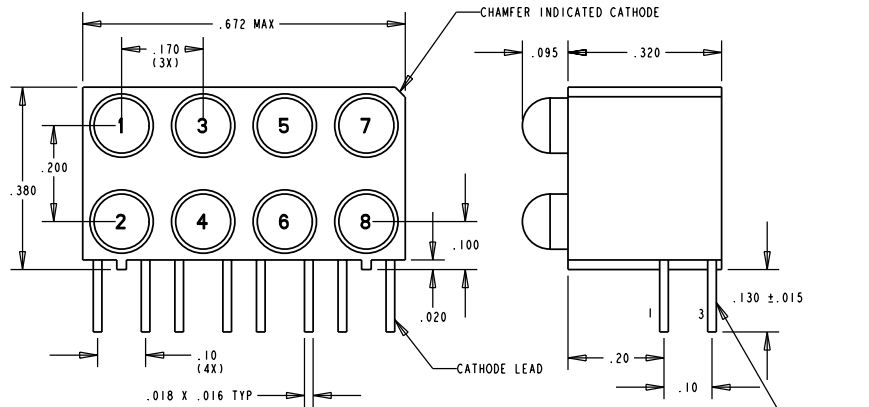
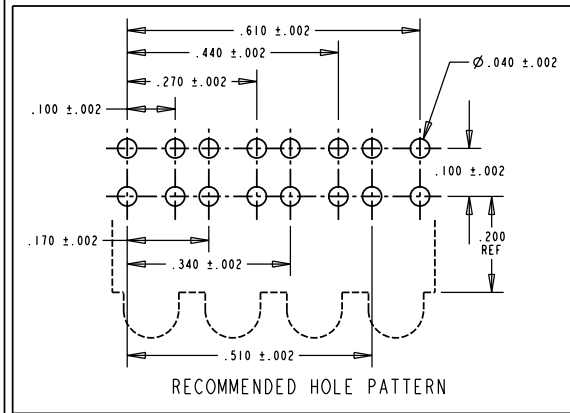


OPERATING CHARACTERISTICS AT 25°C AMBIENT						
CHARACTERISTICS	COLOR	MIN	TYP	MAX	UNITS	TEST CONDITIONS
LUMINOUS INTENSITY	GREEN	2.0	8.0		mcd	$V_f = 5\text{ V}$
	YELLOW	2.2	8.0			
FORWARD CURRENT	GREEN		12	15	V	$V_f = 5\text{ V}$
	YELLOW		10	15		
PEAK WAVELENGTH	GREEN		565		nm	
	YELLOW		583			
VIEWING ANGLE	ALL		60		Degree	

ABSOLUTE MAXIMUM RATING AT 25°C AMBIENT			
	UNITS	GREEN	YELLOW
D.C. FORWARD VOLTAGE	V	7.5	7.5
REVERSE VOLTAGE	V	5.0	5.0
LEAD SOLDERING TEMPERATURE, 5 SEC., 1/16" FROM BODY	°C	260	260
OPERATING TEMPERATURE	°C	-20 TO 85	-40 TO 85
STORAGE TEMPERATURE	°C	-55 TO 100	

LED COLOR	
PART No ->	553-0008-833
POS. 1	YELLOW
POS. 2	GREEN
POS. 3	YELLOW
POS. 4	GREEN
POS. 5	YELLOW
POS. 6	GREEN
POS. 7	YELLOW
POS. 8	GREEN



NOTES:

- LEADS TO FIT INTO HOLES SPACED AS PER HOLE PATTERN
- PIN NUMBERS FOR REFERENCE ONLY, DESIGNATION NON-EXISTENT ON PART.
- LED LEAD DIMENSIONS SHOWN ARE MEASURED AT HOUSING EXIT
- DIALIGHT PART NUMBER = 553-0008-833

REV.	ECN NO.	REVISIONS	DRN.	CKD.	APP.	DATE
A		NEW RELEASE	DC			

THIS DRAWING AND THE CONTENTS HEREIN ARE CONFIDENTIAL AND THE SOLE PROPERTY OF DIALIGHT. REPRODUCTION OF THIS DRAWING OR CONSTRUCTION OF ANY PARTS WITHIN THIS DRAWING ARE FORBIDDEN WITHOUT THE WRITTEN CONSENT OF DIALIGHT.		
SCALE 5:1	DRAWING NUMBER	REV
ALL DIM'S IN: INCHES	C-16610	A
TOLERANCES: UNLESS OTHERWISE SPECIFIED	TITLE 2X4 CB1 BLOCK ARRAY	
FRACTIONS: ±1/64	MATERIAL	
DECIMALS (.XXX): ±.020	Dialight 1913 ATLANTIC AVE. MANASQUAN, N.J. 08736	
DECIMALS (.XXXX): ±.015	SHEET OF FAMILY TABLE:	
ANGLES: ±3°		
FINISH:		
FSCM 83330		