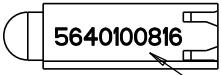


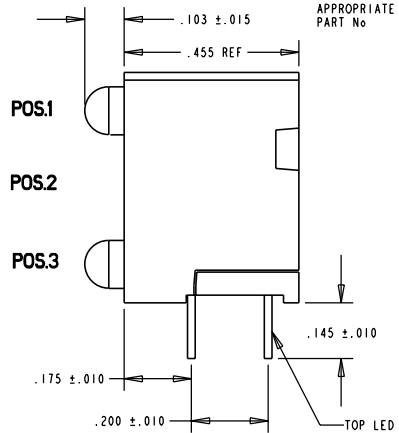
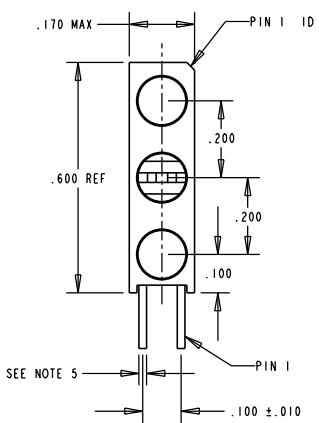
PART NUMBER and LEGEND	LED COLOR		
	POSITION 1	POSITION 2	POSITION 3
564-0100-816	GREEN DIFFUSED	** BLANK **	ORANGE DIFFUSED

REV.	ECN NO.	REVISIONS	DRN.	CKD.	APP.	DATE
A		NEW RELEASE	AV			



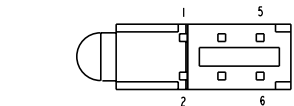
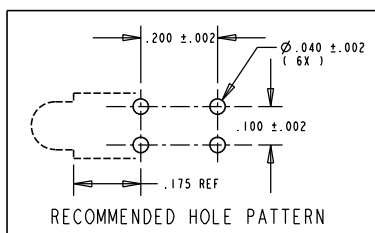
LEGEND AREA

PRINT WITH
APPROPRIATE
PART No



OPERATING CHARACTERISTICS AT 25°C AMBIENT						
CHARACTERISTICS		MIN	TYP	MAX	UNITS	TEST CONDITIONS
LUMINOUS INTENSITY	GREEN	4.7	12.6		mcd	I F = 10 mA
	ORANGE	3.4	7.0			
FORWARD VOLTAGE	GREEN	1.9		2.2	V	I F = 10 mA
	ORANGE	1.5	2.2	3.0		
REVERSE CURRENT	GREEN			100	µA	V R = 5 V
	ORANGE			100		
PEAK WAVELENGTH	GREEN		565		nm	
	ORANGE		600			
VIEWING ANGLE	GREEN		60		Degree	
	ORANGE		60			
CAPACITANCE	GREEN		35		pf	V F = 0, f = 1 MHz
	ORANGE		4			

ABSOLUTE MAXIMUM RATING AT 25°C AMBIENT			
	GREEN	ORANGE	UNITS
POWER DISSIPATION	100	135	mW
DERATE LINEARLY FROM 50°C	0.4	0.5	mA/°C
LEAD SOLDERING TEMPERATURE, 5 SEC., 1/16" FROM BODY	260		°C
OPERATING TEMPERATURE	-55 TO 100		°C
STORAGE TEMPERATURE	-55 TO 100		°C



- NOTES:
- 1- THIS PRODUCT USES SPECIAL BIN OF GREEN LED FOR VOLTAGE RANGE
 - 2- LEADS TO FIT INTO HOLES SPACED AS PER HOLE PATTERN
 - 3- LEADS TO BE FREE OF DEFORMATION AFTER BENDING AND CUTTING
 - 4- LED LEAD DIMENSIONS SHOWN ARE MEASURED AT HOUSING EXIT.
 - 5- .018 SO = ORANGE
.018 X .016 = GREEN
 - 6- DIALIGHT PART NUMBER = 564-0100-816

THIS DRAWING AND THE CONTENTS HEREIN ARE CONFIDENTIAL AND THE SOLE PROPERTY OF DIALIGHT. REPRODUCTION OF THIS DRAWING OR CONSTRUCTION OF ANY PARTS WITHIN THIS DRAWING ARE FORBIDDEN WITHOUT THE WRITTEN CONSENT OF DIALIGHT.

SCALE 4:1	DRAWING NUMBER	REV
ALL DIM'S IN: INCHES	C-16691	A
TOLERANCES: UNLESS OTHERWISE SPECIFIED	TITLE STANDARD 3X1 CBI BLOCK	
FRACTIONS: ±1/64	MATERIAL	
DECIMALS (.XXX): ±.020	Dialight	
DECIMALS (.XXX): ±.015	1913 ATLANTIC AVE.	
ANGLES: ±3°	MANASQUAN, N. J. 08736	
FINISH:	SHEET	FAMILY TABLE:
FSCM 83330	OF	