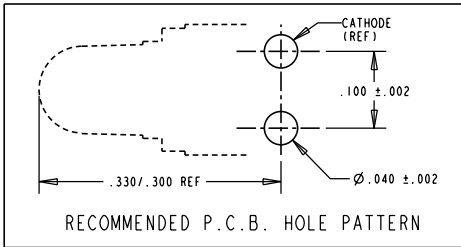


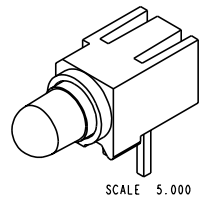
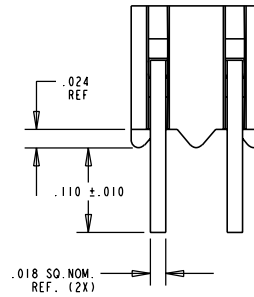
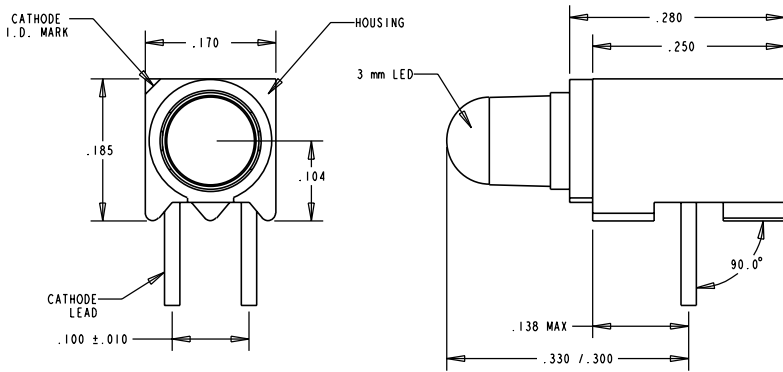
| ASS'Y NO. | LIST NO. | COMCODE | LED COLOR | I _v (MIN.) | V _f (MAX.) | λ PEAK (nm) | I _r (MAX.) SVDC | TEST COND. |
|--------------|----------|-----------|-----------|-----------------------|-----------------------|-------------|----------------------------|------------------------|
| 551-0001-844 | 4 | 406212357 | RED | 1.0 mc d | 2.2 V | 613-635 | 100 μA | I _f = 10 mA |
| 551-0001-845 | 5 | 406212365 | YELLOW | 1.0 mc d | 2.2 V | 584-591 | 100 μA | I _f = 10 mA |
| 551-0001-846 | 6 | 406212381 | GREEN | 1.0 mc d | 2.3 V | 560-580 | 100 μA | I _f = 10 mA |

| REV. | ECN NO. | REVISIONS | DRN. | CKD. | APP. | DATE |
|------|---------|--|------|------|------|------|
| B | — | P/N 551-0001-845 COMCODE 406212365 WAS 406212265; ADDED NOTE 5.6 AND .024 REF .018 SQ. NOM. REF. (2X); RECOMMENDED P.C.B. HOLE PATTERN, TITLE AND MODEL. | DC | | | |



NOTES :

- 1- LAMP MUST BE PROPERLY SEATED IN BASE.
- 2- OBSERVE POLARITY WHEN INSERTING L.E.D. INTO HOUSING. (NON-STANDARD POLARITY)
- 3- PART MUST MEET LUCENT TECHNOLOGIES SPEC. WP-90931 L4, L5, L6 (REF. AT&T DWG #L-739234).
- 4- LED MUST MEET LUCENT TECHNOLOGIES SPEC. WP-90913 LIST #1 (RED), LIST #2 (YELLOW) AND LIST #3 (GREEN).
- 5- PACKAGE- 500 PIECES IN ANTISTATIC ZIP LOCK BAG. APPLY DIALIGHT LABEL WITH DIALIGHT P/N, DATE CODE, LED LOT #, QTY/BAG, COMCODE # "406212357 DIO WP90931L4" FOR -844; "406212365 DIO WP90931L5" FOR -845 AND "406212381 DIO WP90931L6" FOR -846.
- 6- DIALIGHT PART NO. 551-0001-844, 551-0001-845, 551-0001-846.



| | | |
|---|--|---------------|
| THIS DRAWING AND THE CONTENTS HEREIN ARE CONFIDENTIAL AND THE SOLE PROPERTY OF DIALIGHT. REPRODUCTION OF THIS DRAWING OR CONSTRUCTION OF ANY PARTS WITHIN THIS DRAWING ARE FORBIDDEN WITHOUT THE WRITTEN CONSENT OF DIALIGHT. | | |
| SCALE: 8:1 | DRAWING NUMBER | REV |
| ALL DIM'S IN: INCHES | C-16108 | B |
| TOLERANCES: UNLESS OTHERWISE SPECIFIED | TITLE 3mm LED CB1 | |
| FRACTIONS: ±1/64 | MATERIAL | |
| DECIMALS (.XXX): ±.020 | Dialight | |
| DECIMALS (.XXX): ±.015 | 1913 ATLANTIC AVE. MANASQUAN, N. J. 08736 | |
| ANGLES: ±3° | FSCM 83330 | |
| FINISH: | SHEET OF | FAMILY TABLE: |