

PART NUMBER	LED COLOR				LED SPEC. CHART.
	POSITION 1	POSITION 2	POSITION 3	POSITION 4	
569-0100-231F	BLANK	GREEN	YELLOW	RED	1
569-0101-111F	RED	RED	YELLOW	RED	1
569-0101-212F	RED	GREEN	RED	GREEN	1
569-0101-232F	RED	GREEN	YELLOW	GREEN	1
569-0101-237F	RED	GREEN	YELLOW	ORANGE	1
569-0101-372F	RED	YELLOW	ORANGE	GREEN	1
569-0101-732F	RED	ORANGE	YELLOW	GREEN	1
+569-0101-970F	RED	BLUE	ORANGE	BLANK	1
569-0102-222F	GREEN	GREEN	GREEN	GREEN	1
569-0102-232F	GREEN	GREEN	YELLOW	GREEN	1
569-0102-233F	GREEN	GREEN	YELLOW	YELLOW	1
569-0102-237F	GREEN	GREEN	YELLOW	ORANGE	1
569-0103-222F	YELLOW	GREEN	GREEN	GREEN	1
569-0103-233F	YELLOW	GREEN	YELLOW	ORANGE	1
569-0103-272F	YELLOW	GREEN	ORANGE	GREEN	1
569-0103-312F	YELLOW	YELLOW	RED	GREEN	1
569-0103-323F	GREEN	YELLOW	GREEN	YELLOW	1
569-0103-333F	YELLOW	YELLOW	YELLOW	YELLOW	1
+569-0103-970F	YELLOW	BLUE	ORANGE	BLANK	1
569-0107-777F	ORANGE	ORANGE	ORANGE	ORANGE	1
+569-0109-999F	BLUE	BLUE	BLUE	BLUE	1
569-0201-111F	RED	RED	RED	RED	2
569-0202-222F	GREEN	GREEN	GREEN	GREEN	2
569-0202-233F	GREEN	GREEN	YELLOW	YELLOW	2
569-0203-333F	YELLOW	YELLOW	YELLOW	YELLOW	2
569-0301-111F	RED	RED	RED	RED	3
569-0302-222F	GREEN	GREEN	GREEN	GREEN	3
569-0302-233F	GREEN	GREEN	YELLOW	YELLOW	3
569-0303-333F	YELLOW	YELLOW	YELLOW	YELLOW	3
569-0701-111F	RED/GREEN	RED/GREEN	RED/GREEN	RED/GREEN	4
569-0701-144F	RED/GREEN	RED/GREEN	YELLOW/GREEN	YELLOW/GREEN	4
569-0704-411F	YELLOW/GREEN	YELLOW/GREEN	RED/GREEN	RED/GREEN	4
569-0704-444F	YELLOW/GREEN	YELLOW/GREEN	YELLOW/GREEN	YELLOW/GREEN	4

OPERATING CHARACTERISTICS AT 25°C AMBIENT						
CHARACTERISTICS	COLOR	MIN	TYP	MAX	UNITS	TEST CONDITIONS
LUMINOUS INTENSITY	RED	7.4	10.0		mcd	I <sub>r</sub> = 10 mA
	YELLOW	7.4	10.0			
	GREEN	4.7	12.6			
	ORANGE	3.4	7.0			
	BLUE	7.1	12.5	18.0		
FORWARD VOLTAGE	RED		2.0	2.8	V	I <sub>r</sub> = 20 mA
	YELLOW		2.1	2.8		
	GREEN		2.1	2.8		
	ORANGE	1.5	2.2	3.0		
	BLUE		3.5	4.1		
REVERSE VOLTAGE	RED	5			V	I <sub>a</sub> = 100 µA
	YELLOW	5				
	GREEN	5				
	ORANGE	5				
	BLUE	5				
PEAK WAVELENGTH	RED		635		nm	MEASURED AT PEAK
	YELLOW		585			
	GREEN		565			
	ORANGE		600			
	BLUE		428			
VIEWING ANGLE 2 θ 1/2	RED		60		DEG.	
	YELLOW		60			
	GREEN		60			
	ORANGE		60			
	BLUE		70			

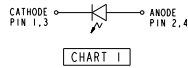


CHART 1

OPERATING CHARACTERISTICS AT 25°C AMBIENT						
CHARACTERISTICS	COLOR	MIN	TYP	MAX	UNITS	TEST CONDITIONS
LUMINOUS INTENSITY	RED	1.0	1.6		mcd	I <sub>r</sub> = 2 mA
	YELLOW	1.0	1.6			
	GREEN	1.0	1.6			
FORWARD VOLTAGE	RED		1.7	2.2	V	I <sub>r</sub> = 2 mA
	YELLOW		1.8	2.2		
	GREEN		1.9	2.7		
REVERSE VOLTAGE	RED	5			V	I <sub>a</sub> = 10 µA
	YELLOW	5				
	GREEN	5				
PEAK WAVELENGTH	RED		635		nm	MEASURED AT PEAK
	YELLOW		583			
	GREEN		565			
VIEWING ANGLE 2 θ 1/2	RED		60		DEG.	
	YELLOW		60			
	GREEN		60			



CHART 2

YELLOW/GREEN BI-COLOR LEDS OPERATING CHARACTERISTICS AT 25°C AMBIENT						
CHARACTERISTICS	COLOR	MIN	TYP	MAX	UNITS	TEST CONDITIONS
LUMINOUS INTENSITY	YELLOW	2.5	4.3		mcd	I <sub>r</sub> = 10 mA
	GREEN	2.5	6.3			
FORWARD VOLTAGE	YELLOW		2.1	2.8	V	I <sub>r</sub> = 20 mA
	GREEN		2.1	2.8		
PEAK WAVELENGTH	YELLOW		635		nm	MEASURED AT PEAK
	GREEN		565			
VIEWING ANGLE 2 θ 1/2	RED		80		DEG.	
	YELLOW		80			
	GREEN		80			



CHART 4

REV	ECN NO	REVISIONS	DRN	CKD	APP	DATE
A		NEW RELEASE	TWC	N.O.	MES	1-6-06
B		ADDED P/N 569-0103-312F	TWC	N.O.	MES	3-27-06
C		ADDED P/N 569-0100-231F	TC			

OPERATING CHARACTERISTICS AT 25°C AMBIENT						
CHARACTERISTICS	COLOR	MIN	TYP	MAX	UNITS	TEST CONDITIONS
LUMINOUS INTENSITY	RED	8.7	28.0		mcd	V <sub>r</sub> = 5 V
	YELLOW	3.7	12.6			
	GREEN	5.6	19.0			
FORWARD VOLTAGE	RED		10.0	15.0	V	V <sub>r</sub> = 5 V
	YELLOW		10.0	15.0		
	GREEN		12.0	15.0		
REVERSE VOLTAGE	RED	5			V	I <sub>a</sub> = 100 µA
	YELLOW	5				
	GREEN	5				
PEAK WAVELENGTH	RED		635		nm	MEASURED AT PEAK
	YELLOW		585			
	GREEN		565			
VIEWING ANGLE 2 θ 1/2	RED		60		DEG.	
	YELLOW		60			
	GREEN		60			

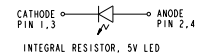
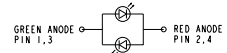


CHART 3

RED/GREEN BI-COLOR LEDS OPERATING CHARACTERISTICS AT 25°C AMBIENT						
CHARACTERISTICS	COLOR	MIN	TYP	MAX	UNITS	TEST CONDITIONS
LUMINOUS INTENSITY	RED	1.7	4.7		mcd	I <sub>r</sub> = 20 mA
	GREEN	3.7	10.0			
FORWARD VOLTAGE	RED		2.0	2.8	V	I <sub>r</sub> = 20 mA
	GREEN		2.1	2.8		
PEAK WAVELENGTH	RED		635		nm	MEASURED AT PEAK
	GREEN		565			
REVERSE VOLTAGE	RED	5			V	I <sub>a</sub> = 100 µA
	GREEN	5				
VIEWING ANGLE 2 θ 1/2	RED		60		DEG.	
	GREEN		60			
	GREEN		60			

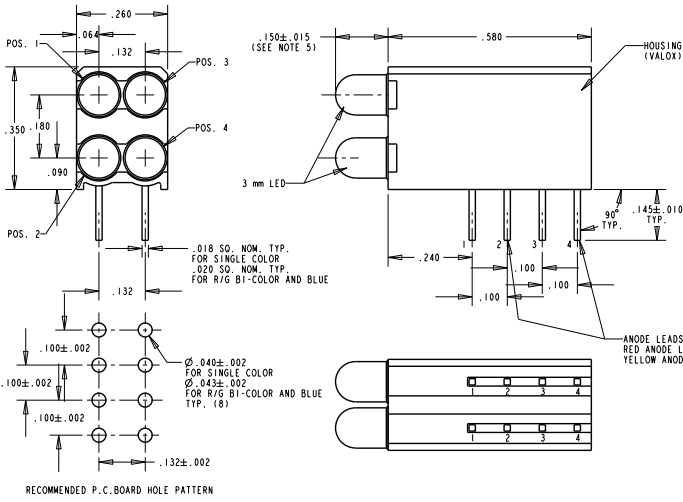


RoHS Compliant 569-0100-XXXX Thru hole CBI

Part Numbers with the "F" suffix ending are RoHS Compliant.  
 Example: 569-0101-372F  
 Packaging is marked with "RoHS Compliant" label or equivalent markings.  
 Parts can be wave soldered, dip soldered or hand soldered using typical lead-free soldering process with max 260°C temp. for 5 sec.

- NOTE:
- LED LEAD SPACING MEASURED AT HOUSING EXIT.
  - PIN NUMBERS FOR REFERENCE ONLY. DESIGNATION NON-EXISTENT ON PARTS.
  - DIALIGHT PART NUMBER: 569-0100-XXXX
  - ATTENTION: OBSERVE PRECAUTIONS FOR HANDLING ELECTROSTATIC SENSITIVE DEVICES.
  - P/N: 569-0109-999F: DIMENSION FOR LED PROTRUSION FROM HOUSING IS .156±.015.

SEE NOTE 4



SCALE: 5:1		DRAWING NUMBER	
ALL DIM'S IN: INCHES (MM)		C-17340	
TOLERANCES: UNLESS OTHERWISE SPECIFIED		REV	
FRACTIONS: ±1/64		BI-LEVEL CBI	
DECIMALS: ±.010; ±.02		ROHS COMPLIANT	
DECIMALS: ±.001; ±.015		MATERIAL	
ANGLES: ±1°		FINISH:	
FSCM 83330		Dialight 1501 ROUTE 34 SOUTH FARMINGDALE, NJ 07727	
		SHEET 1 OF 1 FAMILY TABLES	