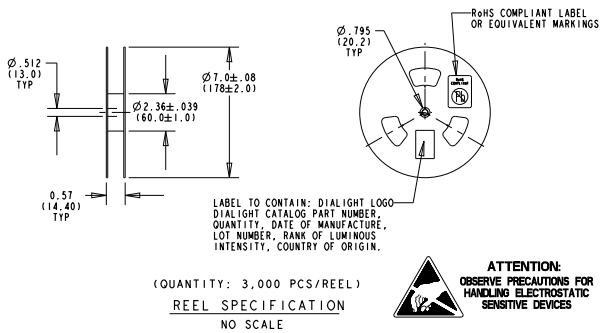
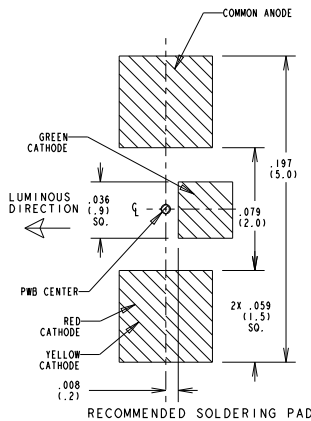
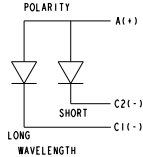
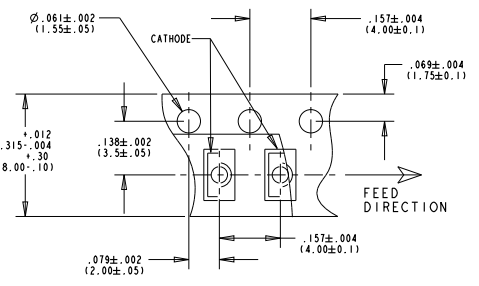
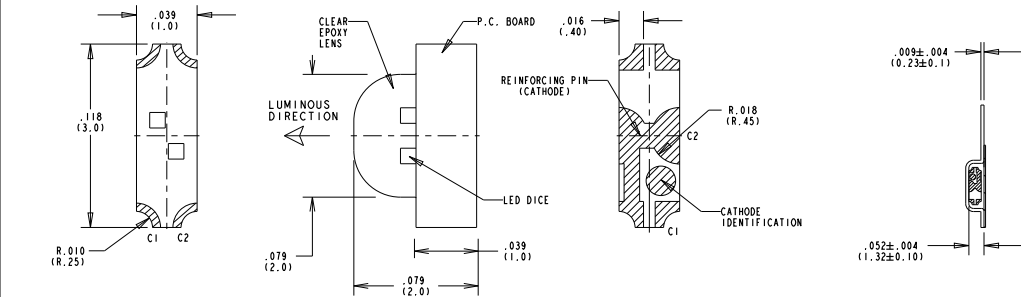


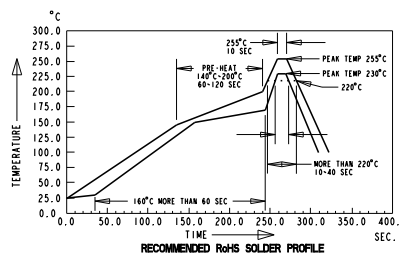
DIALIGHT CATALOG P/N	COLOR	DOMINANT WAVELENGTH $I_f = 20\text{mA}$ (nm)			PEAK EMISSION WAVELENGTH $I_f = 20\text{mA}$ $\lambda_{PK}$ (nm)	SPECTRAL LINE HALF WIDTH $\Delta\lambda$ (nm) $I_f = 20\text{mA}$ TYP	LUMINOUS INTENSITY (mcd) @ $I_f = 20\text{mA}$ ; 25°C			FORWARD VOLTAGE (V) @ $I_f = 20\text{mA}$ ; 25°C		REVERSE CURRENT ( $\mu\text{A}$ ); 25°C	VIEWING ANGLE (2 $\theta$ ) (DEG.)
		MIN.	TYP.	MAX.			MIN.	TYP.	MAX.	TYP.	MAX.		
							MIN.	TYP.	MAX.	TYP.	MAX.		
597-2723-602F	GREEN	567	571	576	574	15	18.0	35.0	112.0	2.0	2.4	10 @ $V_R = 5\text{V}$	130
597-2723-607F	YELLOW	582	589	597	591	15	28.0	75.0	118.0	2.0	2.4	10 @ $V_R = 5\text{V}$	130
597-2751-602F	RED	631	—	—	639	20	18.0	45.0	—	2.0	2.4	10 @ $V_R = 5\text{V}$	130
597-2751-607F	GREEN	567	571	576	574	15	18.0	35.0	112.0	2.0	2.4	10 @ $V_R = 5\text{V}$	130

REV	ECN NO	REVISIONS	DRN	CKD	APP	DATE
A	—	NEW RELEASE	TWC	N.O.	MES	3-21-06
B	—	GRN MIN LUM INT "18.0" WAS "20.0"; YEL MIN LUM INT "28.0" WAS "20.0"; RED MIN LUM INT "15.0" WAS "30.0"; GRN & YEL MAX REVERSE CURRENT "10" WAS "100"; RED MAX REVERSE CURRENT "10" WAS "100"; ABS MAX RATINGS TABLE; RED LINEAR DERATION "0.42" WAS "0.4"; MSL LEVEL IN NOTE 9 WAS "4"; "168" WAS "72" IN NOTE 9; ADDED NOTE 13.	KLJ	NO	MES	5-2-08
C	—	ADDED MIN AND MAX DOMINANT WAVELENGTH; ADDED MAX LUMINOUS INTENSITY.	AJF	KLJ	NO	9-16-09



- NOTES:
1. AlInGaP FOR RED, GREEN, YELLOW
  2. EPOXY COLOR: WATER CLEAR.
  3. SOLDER PAD: COPPER BASE, GOLD PLATED.
  4. SOLDER ADHERANCE PER MIL. STD. 202E, METHOD 208C.
  5. PARTS TAPED AND REELED PER ANSI/EIA 481-1-A-1994 SPECS.
  6. PARTS SUPPLIED 3,000 PIECES PER REEL WITH ALL PARTS ON ONE REEL FROM SAME LOT AND SAME BIN CATEGORY.
  7. REEL PACKED IN ANTI-HUMIDITY ALUMINUM FOIL BAG, HEAT SEALED WITH SILICA GEL. LABEL ON BAG TO CONTAIN SAME INFORMATION AS LABEL ON REEL.
  8. DEVICE HAS A MOISTURE SENSITIVITY LEVEL "3". CAUTION LABEL APPLIED AS PER JEDEC STD. 033.
  9. STORAGE CONDITION: 5 TO 30°C @ 70% RH MAX. BAKING IS REQUIRED IF THE PACK HAS BEEN OPENED FOR 168 HOURS OR MORE. BAKING RECOMMENDED CONDITION: 60±5°C FOR 24 HOURS.
  10. TAPE AND REEL LED'S MAY REQUIRE RE-TAPING AFTER TWELVE MONTHS.
  11. DIALIGHT PART NUMBER: 597-2723-607F, -602F; 597-2751-607F, -602F
  12. THIS ASSEMBLY CONTAINS ELECTROSTATIC DISCHARGE SENSITIVE DEVICES (ESDS). MAINTAIN ALL PRECAUTIONARY MEASURES DURING ASSEMBLY, HANDLING AND STORAGE IN ACCORDANCE WITH IPC-A-610.
  13. -602F SUFFIX DESIGNATES 20 PC SAMPLE STRIP -607F SUFFIX DESIGNATES 7 INCH REEL

ABSOLUTE MAXIMUM RATINGS AT 25°C.	GREEN	YELLOW	RED	UNITS
POWER DISSIPATION	75	75	75	mW
PEAK FORWARD CURRENT (1/10 DUTY CYCLE, 0.1ms PULSE WIDTH)	80	80	80	mA
DC FORWARD CURRENT	30	30	30	mA
DERATING LINEAR FROM 50°C, RED 25°C	0.4	0.4	0.42	mA/°C
REVERSE VOLTAGE	5			V
OPERATING TEMPERATURE RANGE	-55 TO +85			°C
STORAGE TEMPERATURE	-55 TO +85			°C
WAVE SOLDERING CONDITION	260 FOR 5 SECONDS			°C



**RoHS COMPLIANT 597-27XX-602F, -607F**  
 Part Numbers with the "F" suffix ending are RoHS Compliant.  
 For example: 597-2723-607F  
 Reel and bag packaging are marked with "RoHS Compliant" label or equivalent markings. These parts can be used with RoHS reflow profile. Parts can be wave soldered, dip soldered or hand soldered using typical lead-free soldering process with max 260°C temp. for 5 sec.

THIS DRAWING AND THE CONTENTS HEREIN ARE CONFIDENTIAL AND THE SOLE PROPERTY OF DIALIGHT. REPRODUCTION OF THIS DRAWING OR CONSTRUCTION OF ANY PARTS WITHIN THIS DRAWING ARE FORBIDDEN WITHOUT THE WRITTEN CONSENT OF DIALIGHT.	
SCALE: 20:1	DRAWING NUMBER
ALL DIM'S IN: INCHES (MM)	C-17385
TOLERANCES: UNLESS OTHERWISE SPECIFIED	REV
FRACTIONS: 1/164	C
DECIMALS: 1.001 ± .01	TITLE RIGHT ANGLE SURFACE MOUNT LED
DECIMALS: 1.001 ± .005	RoHS COMPLIANT
ANGLES: 1°	MATERIAL
FINISH:	Dialight
FSCN 83330	1501 ROUTE 34 SOUTH FARMINGDALE, N.J. 07727
SHEET 1 OF 1	FAMILY TABLES: