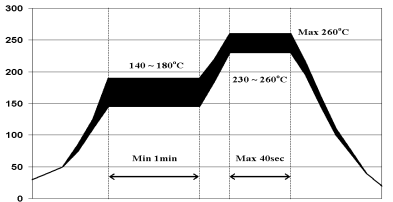


OPERATING CHARACTERISTICS AT 25 °C AMBIENT																	
DIALIGHT CATALOG P/N	COLOR	I _F (mA)	FORWARD VOLTAGE (V)		LUMINOUS INTENSITY (mc d)		REVERSE LEAKAGE CURRENT (μA)	PEAK WAVELENGTH (nm)	DOMINANT WAVELENGTH (nm)			VIEWING ANGLE (2θ 1/2) (DEGREES)	REVISIONS				
			TYP.	MAX.	MIN.	TYP.			MAX.	MAX.	MIN.		TYP.	MAX.	REV.	ECN.	DRN.
597-3021-507F, -502F	RED	20	2.0	2.8	2.2	6.3	10.4	100	650	646	653	659	110	A	---	TWC	10-11-05
597-3111-507F, -502F	BRIGHT RED	20	1.75	2.5	5.6	16.0	26.4	100	660	656	662	668	110	A	---	TWC	10-11-05
597-3211-507F, -502F	ORANGE	20	2.0	2.8	3.6	10.0	16.4	100	610	604	612	618	110	A	---	TWC	10-11-05
597-3301-507F, -502F	GREEN	20	2.2	2.8	5.6	25.0	44.4	100	570	565	573	581	110	A	---	TWC	10-11-05
597-3401-507F, -502F	YELLOW	20	2.1	2.8	2.2	6.3	10.4	100	585	580	588	596	110	A	---	TWC	10-11-05

REV	ECN NO	REVISIONS	DRN	CKD	APP	DATE
A	---	NEW RELEASE	TWC	---	---	---

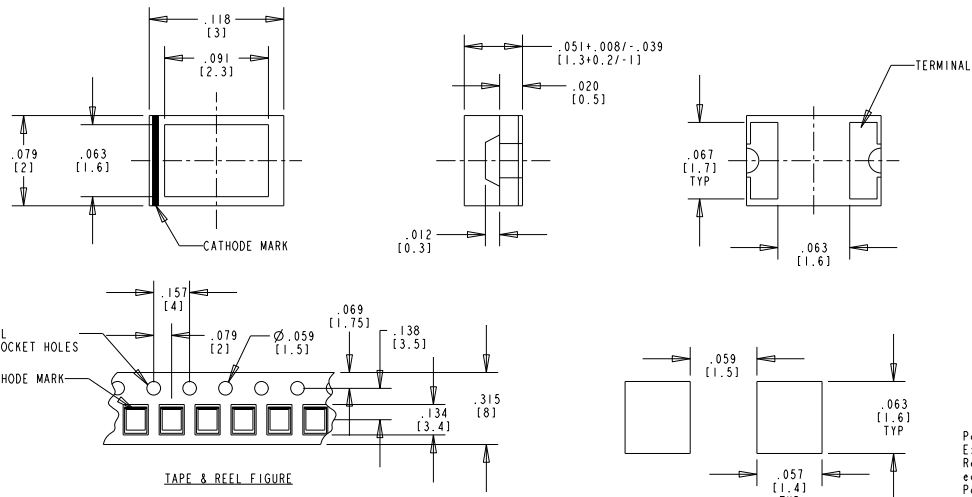


RoHS COMPLIANT REFLOW PROFILE

- NOTES:
- EPOXY COLOR: WATER CLEAR.
 - LEAD FINISH: GOLD (Au) PLATED OVER NICKEL (Ni).
 - TAPE AND REEL LEDS MAY REQUIRE RE-TAPING AFTER TWELVE MONTHS.
 - DIALIGHT PART NUMBER: 597-3XX1-507F FOR A 2500 PC. REEL AND 597-3XX1-502F FOR A 20 PC. SAMPLE STRIP

RoHS Compliant 597-3XX1-50XF Surface Mount CBI

Part Numbers with the "F" suffix ending are RoHS Compliant.
 Example: 597-3301-507F
 Reel and bag packaging are marked with "RoHS Compliant" label or equivalent markings. These parts can be used with RoHS reflow profile. Parts can be wave soldered, dip soldered or hand soldered using typical lead-free soldering process with max 260°C temp. for 5 sec.



ABSOLUTE MAXIMUM RATING AT 25°C AMBIENT	597-3XX1-507F AND 597-3XX1-502F					UNITS
	3021 RED	3111 BRIGHT RED	3211 ORANGE	3301 GREEN	3401 YELLOW	
POWER DISSIPATION	70	75		70		mW
CONTINUOUS FORWARD CURRENT	25	30		25		mA
PEAK FORWARD CURRENT (PULSE WIDTH 1 ms, DUTY 20%)	60	75		60		mA
OPERATING TEMPERATURE	-30 TO +85					°C
STORAGE TEMPERATURE	-40 TO +85					°C

THIS DRAWING AND THE CONTENTS HEREIN ARE CONFIDENTIAL AND THE SOLE PROPERTY OF DIALIGHT. REPRODUCTION OF THIS DRAWING OR CONSTRUCTION OF ANY PARTS WITHIN THIS DRAWING ARE FORBIDDEN WITHOUT THE WRITTEN CONSENT OF DIALIGHT.		
SCALE: DRAWING SCALE ALL DIM'S IN: INCHES (MM)	DRAWING NUMBER C-17290	REV A
TOLERANCES: UNLESS OTHERWISE SPECIFIED FRACTIONS: ±1/64 DECIMALS (.XX): ±.01 DECIMALS (.XXX): ±.005 DECIMALS (.XXXX): ±.0005 ANGLES: ±1°	TITLE SINGLE COLOR SMT LED 1208 PKG RoHS COMPLIANT	MATERIAL
FINISH:	1501 ROUTE 34 SOUTH FARMINGDALE, NJ 07727	
FSCM 83330	SHEET 1 OF 1 FAMILY TABLE:	