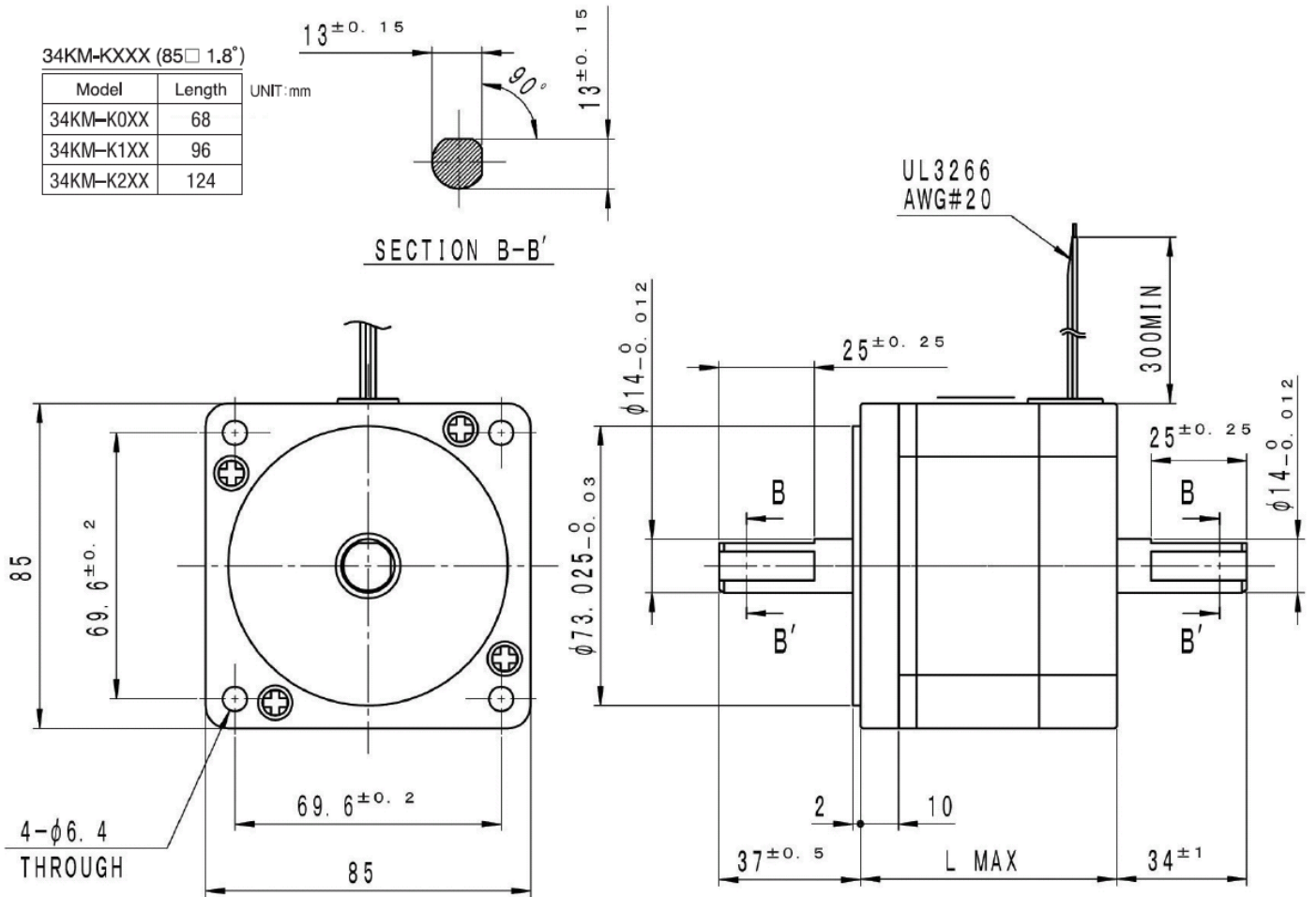


Standard Hybrid Step Motors

34KM-K



34KM-K

| Part Number | Motor Size [mm] | Step Angle [deg] | Rated Current [A] | Resistance [Ohms] | Holding Torque [mNm] | Mass [g] |
|-------------------|--------------------|---------------------|----------------------|----------------------|-------------------------|-------------|
| 34KM-K122-00W/99W | 85 ~96 | 1.8 | 1.9 | 3.9 | 4,800 | 2,900 |
| 34KM-K112-00W/99W | 85 ~96 | 1.8 | 3 | 1.5 | 4,800 | 2,900 |
| 34KM-K106-00W/99W | 85 ~96 | 1.8 | 4.8 | 0.65 | 4,800 | 2,900 |
| 34KM-K221-00W/99W | 85 ~124 | 1.8 | 2 | 4.9 | 6,700 | 4,000 |
| 34KM-K206-00W/99W | 85 ~124 | 1.8 | 4.8 | 0.85 | 6,700 | 4,000 |

Model No : 34KM-K006U,K012U,K023U,K106U,K112U,K122U,K206U
Driver : Chopper Dual
Supply Voltage : 24.0 (volt)

