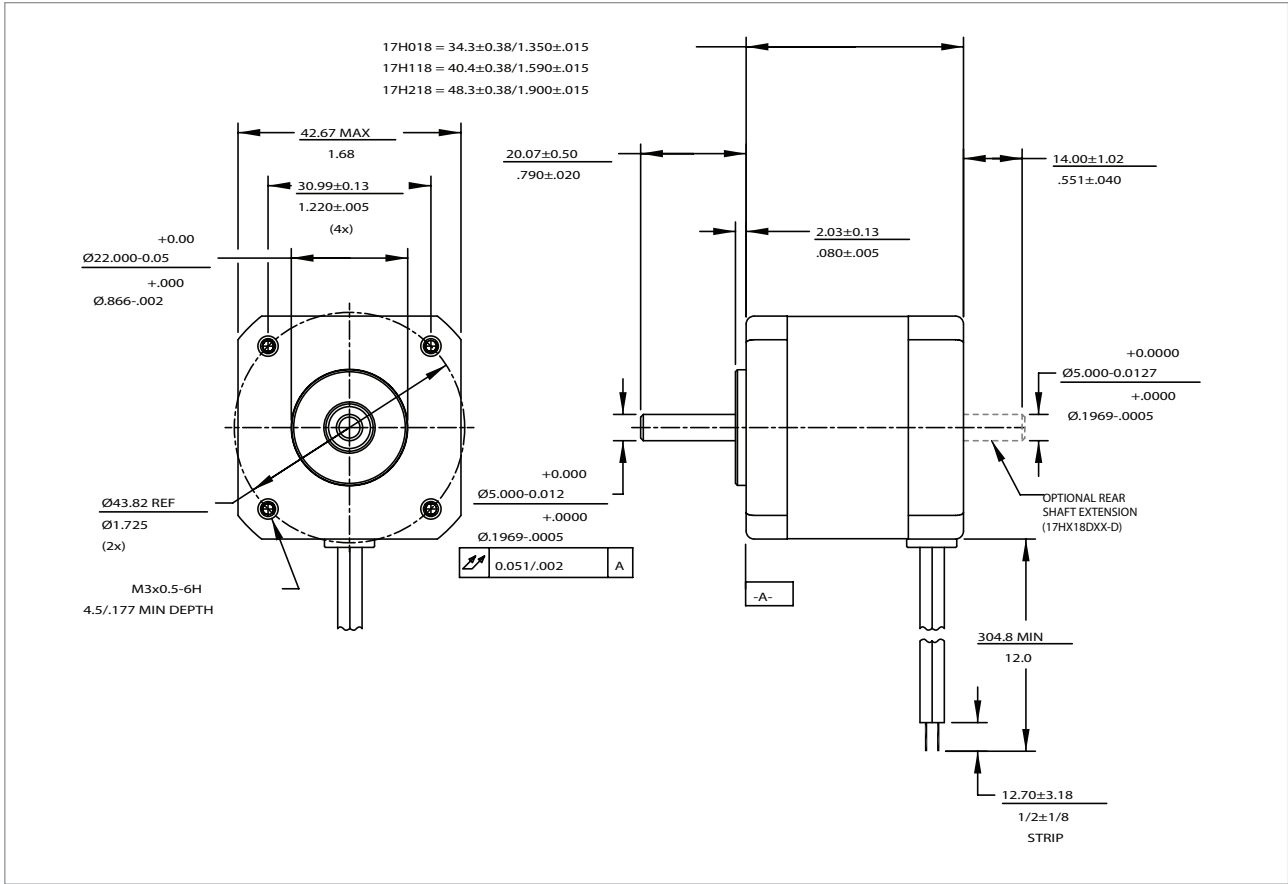


**17HX18D**



Motor Part Number			17HX18D05B	17HX18D10B	17HX18D15B
			17HX18D05B-D	17HX18D10B-D	17HX18D15B-D
<b>Resistance per phase, ± 10%</b>	Short Stack	ohms	13.28	3.32	1.47
	1 Stack	ohms	16.48	4.12	1.83
	2 Stack	ohms	17.96	4.49	2.00
<b>Inductance per phase, typ</b>	Short Stack	mH	17.70	3.80	1.60
	1 Stack	mH	20.20	6.50	2.85
	2 Stack	mH	26.70	6.50	3.20
<b>Rated current per phase *</b>		amps	0.5	1.0	1.5
<b>Holding torque, typical *</b>	Short Stack	oz-in / Nm		30 / 0.21	
	1 Stack	oz-in / Nm		51 / 0.36	
	2 Stack	oz-in / Nm		65 / 0.46	
<b>Thermal resistance</b>	Short Stack	°C/watt		6.21	
	1 Stack	°C/watt		5.40	
	2 Stack	°C/watt		4.71	
<b>Detent torque, typical</b>	Short Stack	oz-in / Nm		1.6 / 0.011	
	1 Stack	oz-in / Nm		2.5 / 0.017	
	2 Stack	oz-in / Nm		3.2 / 0.023	
<b>Rotor moment of inertia</b>	Short Stack	oz-in-s <sup>2</sup> / kg-cm <sup>2</sup>		.00051 / 0.04	
	1 Stack	oz-in-s <sup>2</sup> / kg-cm <sup>2</sup>		.00075 / 0.05	
	2 Stack	oz-in-s <sup>2</sup> / kg-cm <sup>2</sup>		.00106 / 0.07	
<b>Step angle, ± 5% *</b>		degrees		1.8	
<b>Steps per revolution *</b>				200	
<b>Ambient temperature range</b>					
<b>Operating</b>		°C		-20 ~ +40	
<b>Storage</b>		°C		-40 ~ +85	
<b>Bearing type</b>				Ball bearing	
<b>Insulation resistance at 500vdc</b>		Mohms		100 megohms	
<b>Dielectric withstanding voltage</b>		vac		1200 for 1 second	
<b>Weight</b>	Short Stack	lb / kg		0.45 / 0.20	
	1 Stack	lb / kg		0.57 / 0.26	
	2 Stack	lb / kg		0.76 / 0.34	
<b>Shaft load ratings, max at 1500 rpm</b>					
<b>Radial</b>		lb / kg		15 / 6.8 (at shaft center)	
<b>Axial</b>		lb / kg		6 / 2.7 (Push)	
<b>Axial</b>		lb / kg		15 / 6.8 (Pull)	
<b>Leadwires</b>				AWG 26 UL 3266	
<b>Temperature class, max</b>				B (130°C)	
<b>RoHS</b>				COMPLIANT	

ALL MOTOR DATA VALUES AT 20°C UNLESS OTHERWISE SPECIFIED  
\* ENERGISE AT RATED CURRENT, 2 PHASE ON

17HX18D (Contd..)

Motor Part Number			17HX18D05U	17HX18D10U	17HX18D15U
			17HX18D05U-D	17HX18D10U-D	17HX18D15U-D
<b>Resistance per phase, ± 10%</b>	Short Stack	ohms	13.28	3.32	1.47
	1 Stack	ohms	16.48	4.12	1.83
	2 Stack	ohms	17.96	4.49	2.00
<b>Inductance per phase, typ</b>	Short Stack	mH	6.05	1.55	0.84
	1 Stack	mH	9.65	2.85	1.15
	2 Stack	mH	11.30	3.20	1.55
<b>Rated current per phase *</b>		amps	0.5	1.0	1.5
<b>Holding torque, typical *</b>	Short Stack	oz-in / Nm		21 / 0.15	
	1 Stack	oz-in / Nm		38 / 0.27	
	2 Stack	oz-in / Nm		47 / 0.33	
<b>Thermal resistance</b>	Short Stack	°C/watt		6.21	
	1 Stack	°C/watt		5.40	
	2 Stack	°C/watt		4.71	
<b>Detent torque, typical</b>	Short Stack	oz-in / Nm		1.6 / 0.011	
	1 Stack	oz-in / Nm		2.5 / 0.017	
	2 Stack	oz-in / Nm		3.2 / 0.023	
<b>Rotor moment of inertia</b>	Short Stack	oz-in-s <sup>2</sup> / kg-cm <sup>2</sup>		.00051 / 0.04	
	1 Stack	oz-in-s <sup>2</sup> / kg-cm <sup>2</sup>		.00075 / 0.05	
	2 Stack	oz-in-s <sup>2</sup> / kg-cm <sup>2</sup>		.00106 / 0.07	
<b>Step angle, ± 5% *</b>		degrees		1.8	
<b>Steps per revolution *</b>				200	
<b>Ambient temperature range</b>					
<b>Operating</b>		°C		-20 ~ +40	
<b>Storage</b>		°C		-40 ~ +85	
<b>Bearing type</b>				Ball bearing	
<b>Insulation resisance at 500vdc</b>		Mohms		100 megohms	
<b>Dielectric withstanding voltage</b>		vac		1200 for 1 second	
<b>Weight</b>	Short Stack	lb / kg		0.45 / 0.20	
	1 Stack	lb / kg		0.57 / 0.26	
	2 Stack	lb / kg		0.76 / 0.34	
<b>Shaft load ratings, max at 1500 rpm</b>					
<b>Radial</b>		lb / kg		15 / 6.8 (at shaft center)	
<b>Axial</b>		lb / kg		6 / 2.7 (Push)	
<b>Axial</b>		lb / kg		15 / 6.8 (Pull)	
<b>Leadwires</b>				AWG 26 UL 3266	
<b>Temperature class, max</b>				B (130°C)	
<b>RoHS</b>				COMPLIANT	

ALL MOTOR DATA VALUES AT 20°C UNLESS OTHERWISE SPECIFIED  
\* ENERGISE AT RATED CURRENT, 2 PHASE ON