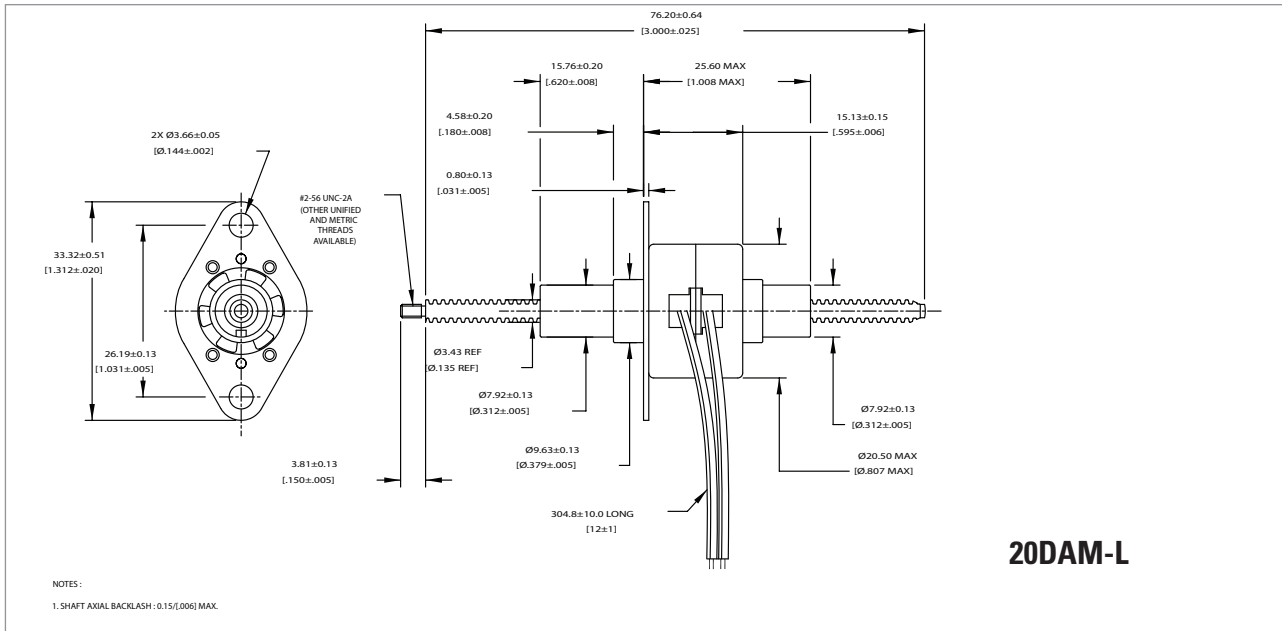


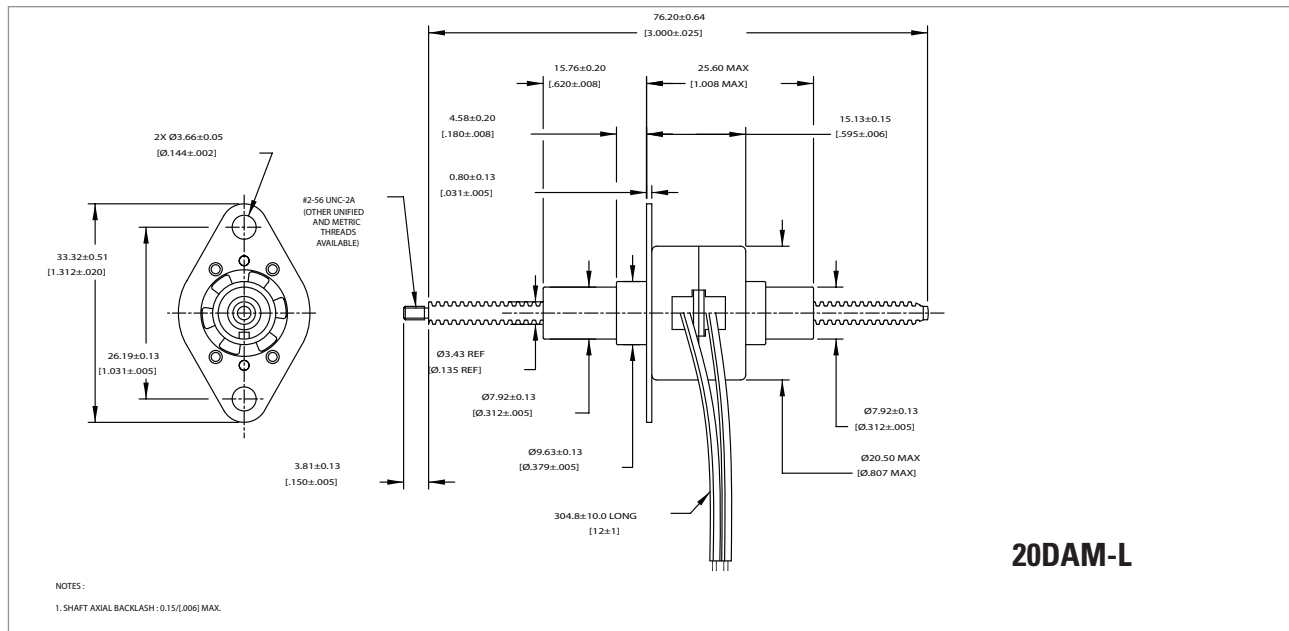
**20DAM-L**



| Motor Part Number                      |                   | 20DAMXXD1B-L | 20DAMXXD2B-L      |
|--|-------------------|--------------|-------------------|
| <b>Rated voltage</b>                   | vdc               | 5.00         | 12.00             |
| <b>Resistance per phase, ± 10%</b>     | ohms              | 20.00        | 115.20            |
| <b>Inductance per phase, typ</b>       | mH                | 7.20         | 40.80             |
| <b>Rated current per phase *</b>       | amps              | 0.25         | 0.10              |
| <b>Maximum force</b>                   |                   |              |                   |
|  | .001" (0.0254mm)  | oz / N       | 110 / 30.6        |
|  | .002" ( 0.0508mm) |              | 75 / 20.9         |
|  | .004" (0.1016mm)  |              | 40 / 11.1         |
| <b>Minimum force (unenergized)</b>     |                   |              |                   |
|  | .001" (0.0254mm)  | oz / N       | 200 / 55.6        |
|  | .002" ( 0.0508mm) |              | 40 / 11.1         |
|  | .004" (0.1016mm)  |              | 10 / 2.8          |
| <b>Maximum travel</b>                  |                   |              |                   |
|  | .001" (0.0254mm)  | in / mm      | 1.97 / 50.0       |
|  | .002" ( 0.0508mm) |              | 1.97 / 50.0       |
|  | .004" (0.1016mm)  |              | 1.97 / 50.0       |
| <b>Step angle, ± 1° *</b>              | degrees           |              | 15.00             |
| <b>Steps per revolution *</b>          |                   |              | 24                |
| <b>Thermal resistance</b>              | °C/watt           |              | N.A.              |
| <b>Ambient temperature range</b>       |                   |              |                   |
| <b>Operating</b>                       | °C                |              | -20 ~ +70         |
| <b>Storage</b>                         | °C                |              | -40 ~ +85         |
| <b>Bearing type</b>                    |                   |              | Ball bearing      |
| <b>Insulation resistance at 500vdc</b> | Mohms             |              | 20 megohms        |
| <b>Dielectric withstanding voltage</b> | vac               |              | 650 for 2 seconds |
| <b>Weight</b>                          | lbs / g           |              | 0.055 / 25        |
| <b>Leadwires</b>                       |                   |              | AWG28, UL 1429    |
| <b>Temperature class, max</b>          |                   |              | B (130°C)         |
| <b>RoHS</b>                            |                   |              | COMPLIANT         |

ALL MOTOR DATA VALUES AT 20°C UNLESS OTHERWISE SPECIFIED  
\* ENERGISE AT RATED CURRENT, 2 PHASE ON, L/R Drive

20DAM-L



| Motor Part Number               |   | 20DAMXXD1U-L | 20DAMXXD2U-L                              |
|---------------------------------|---|--------------|---|
| Rated voltage                   | vdc   | 5.00         | 12.00                                     |
| Resistance per phase, ± 10%     | ohms  | 20.00        | 115.20                                    |
| Inductance per phase, typ       | mH  | 3.80         | 20.30                                     |
| Rated current per phase *       | amps  | 0.25         | 0.10                                      |
| Maximum force                   | .001" (0.0254mm)<br>.002" ( 0.0508mm)<br>.004" (0.1016mm) | oz / N       | 75 / 20.9<br>50 / 13.9<br>30 / 8.3        |
| Minimum force (unenergized)     | .001" (0.0254mm)<br>.002" ( 0.0508mm)<br>.004" (0.1016mm) | oz / N       | 200 / 55.6<br>40 / 11.1<br>10 / 2.8       |
| Maximum travel                  | .001" (0.0254mm)<br>.002" ( 0.0508mm)<br>.004" (0.1016mm) | in / mm      | 1.97 / 50.0<br>1.97 / 50.0<br>1.97 / 50.0 |
| Step angle, ± 1° *              |   | degrees      | 15.00                                     |
| Steps per revolution *          |   |              | 24  |
| Thermal resistance              |   | °C/watt      | N.A.                                      |
| Ambient temperature range       |   |              |   |
| Operating                       |   | °C           | -20 ~ +70                                 |
| Storage                         |   | °C           | -40 ~ +85                                 |
| Bearing type                    |   |              | Ball bearing                              |
| Insulation resistance at 500vdc |   | Mohms        | 20 megohms                                |
| Dielectric withstanding voltage |   | vac          | 650 for 2 seconds                         |
| Weight                          |   | lbs / g      | 0.055 / 25                                |
| Leadwires                       |   |              | AWG28, UL 1429                            |
| Temperature class, max          |   |              | B (130°C)                                 |
| RoHS                            |   |              | COMPLIANT                                 |

Stepper

ALL MOTOR DATA VALUES AT 20°C UNLESS OTHERWISE SPECIFIED  
\* ENERGISE AT RATED CURRENT, 2 PHASE ON , L/R Drive