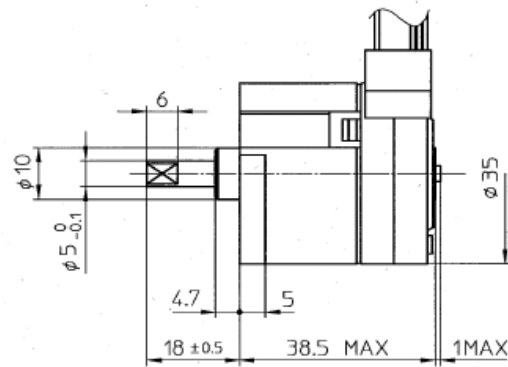
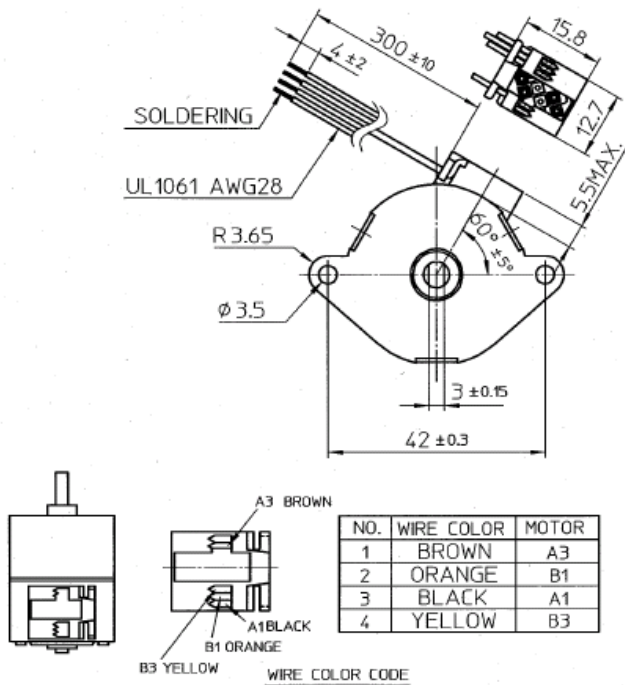


Standard PG Step Motors

PG35S-D48-HHC2

Model Specifications

Model:	PG35S-D48-HHC2
Step Angle:	0.212 °
Drive Voltage:	DC 24.0 V
Shaft Length:	18mm
Wire Length:	300mm fly lead (no connector)
Wire Holder:	90 deg. Left
Gear Ratio:	1/30.1
Electrical:	24V, 250mA
	Bipolar Constant Current
	28 ohms, MS70A



MARKING

COLOR	BLACK	BROWN	ORANGE	YELLOW
STEP 1	-	+	+	-
STEP 2	-	+	-	+
STEP 3	+	-	-	+
STEP 4	+	-	+	-

SWITCHING SEQUENCE
(VIEWED FROM MOUNTING SURFACE)

MARKING

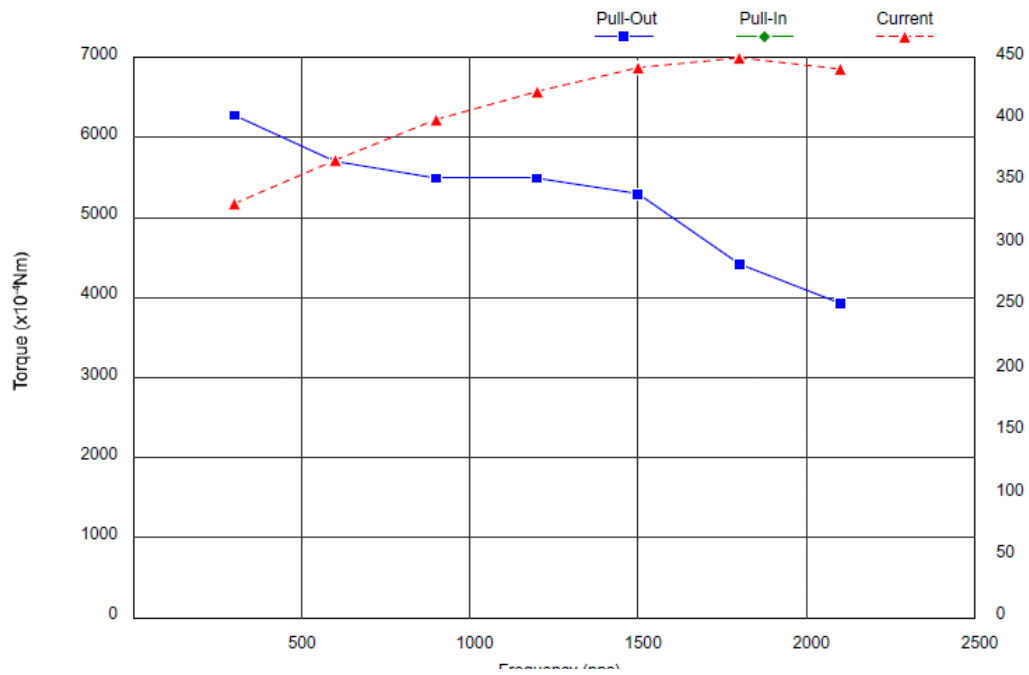
NMB-MAT PG35S-D48-HHC2	JAPAN H0107
<JAPAN>	
NMB-MAT PG35S-D48-HHC2	THAILAND TA0107
<THAILAND>	
GEAR RATIO : 1/35.4	

PG35S-D48-HHC2

DYNAMIC TORQUE CHARACTERISTICS (No. 63646)

(ALL VALUES ARE GAINED BY MEASUREMENT AND NOT SPECIFICATIONS VALUES)

Model : PG35S-D48-HHC2
 Drive Mode : BIPOLAR CHOPPER
 Drive Voltage : 24.0 V
 Method : 2-2P
 Drive IC : UDN2916B-V
 Surge/Current : / 500 mA / Phase (Peak)
 Coil Resistance : 8.0 Ω
 Magnet Material : MS70A
 Stator Material : SECC
 Note : GEAR RATIO 1/35.4



Frequency (pps)	300	600	900	1200	1500	1800	2100
■ Pull-Out (x10 ⁻⁴ Nm)	6276.5	5688.1	5491.9	5491.9	5295.8	4413.1	3922.8
◆ Pull-In (x10 ⁻⁴ Nm)							
▲ Current (mA)	332	367	400	422	442	449	440