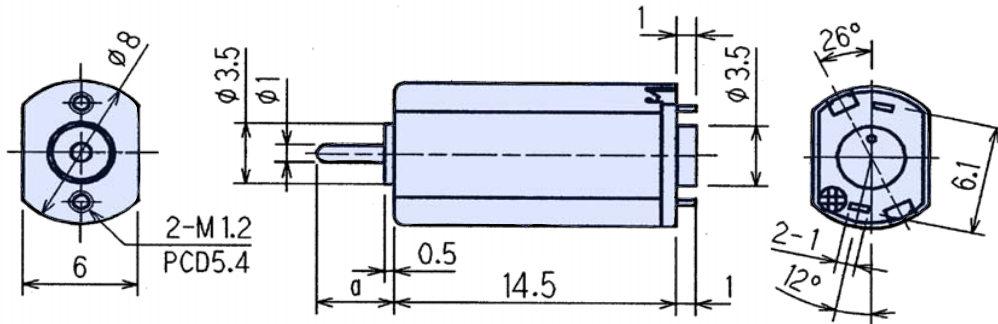


PNN7



Weight: 2.5g

Outline UNIT:mm



Specifications

Model	Operating Voltage (V)	Rated Voltage (V)	No Load Speed (min ⁻¹)	No Load Current (mA)	Rated Load		Rated Load Speed (min ⁻¹)	Rated Load Current (mA)	Starting Torque		Starting Current (mA)	Shaft Length (mm)
					(gf·cm)	(mN·m)			(gf·cm)	(mN·m)		
PNN7RE09PD	1 to 3	1.5	12800	42	1.0	0.1	8880	142	3.3	0.3	370	a=5.5
PNN7RE08JD	1 to 3.5	3.0	20862	44	1.0	0.1	16364	134	4.7	0.5	460	a=10.5

Characteristics

