



Features

- Available in E6 series
- Unit height of 1.8 mm
- Current up to 2.8 A
- Lead free
- RoHS compliant*

Applications

- Input/output of DC/DC converters
- Power supplies for:
 - Portable communication equipment
 - Camcorders
 - LCD TVs
 - Car radios

SRU5018 Series - Shielded SMD Power Inductors

Electrical Specifications

| Bourns Part No. | Inductance 100 KHz | | Q Ref. | Test Frequency (MHz) | SRF Min. (MHz) | RDC (mΩ) | I rms Max. (A) | I sat Typ. (A) |
|-----------------|--------------------|--------|--------|----------------------|----------------|----------|----------------|----------------|
| | (μH) | Tol. % | | | | | | |
| SRU5018-1R0Y | 1.0 | ± 30 | 9 | 7.96 | 200 | 12.5 | 2.80 | 2.85 |
| SRU5018-1R5Y | 1.5 | ± 30 | 9 | 7.96 | 160 | 15.5 | 2.50 | 2.40 |
| SRU5018-2R2Y | 2.2 | ± 30 | 10 | 7.96 | 130 | 20.5 | 2.30 | 2.10 |
| SRU5018-3R5Y | 3.5 | ± 30 | 9 | 7.96 | 90 | 32.0 | 2.10 | 1.70 |
| SRU5018-4R7Y | 4.7 | ± 30 | 8.5 | 7.96 | 80 | 36.0 | 2.00 | 1.55 |
| SRU5018-6R8Y | 6.8 | ± 30 | 7.5 | 7.96 | 60 | 50.0 | 1.45 | 1.20 |
| SRU5018-100Y | 10.0 | ± 30 | 12 | 2.52 | 50 | 65.0 | 1.25 | 1.05 |
| SRU5018-150Y | 15.0 | ± 30 | 12 | 2.52 | 40 | 100.0 | 0.95 | 0.80 |
| SRU5018-220Y | 22.0 | ± 30 | 12 | 2.52 | 28 | 160.0 | 0.68 | 0.65 |
| SRU5018-330Y | 33.0 | ± 30 | 13 | 2.52 | 23 | 220.0 | 0.66 | 0.56 |
| SRU5018-470Y | 47.0 | ± 30 | 13 | 2.52 | 18 | 330.0 | 0.54 | 0.45 |
| SRU5018-680Y | 68.0 | ± 30 | 12 | 2.52 | 16 | 480.0 | 0.37 | 0.36 |
| SRU5018-101Y | 100.0 | ± 30 | 15 | 0.796 | 15 | 620.0 | 0.32 | 0.31 |

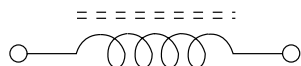
General Specifications

Test Voltage0.1 V
 Reflow Soldering ...230 °C, 50 sec. max.
 Operating Temperature
-40 °C to +125 °C
 (Temperature rise included)
 Storage Temperature..-40 °C to +125 °C
 Resistance to Soldering Heat
260 °C for 10 sec.

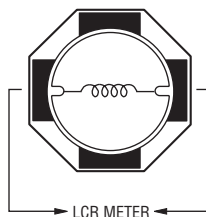
Materials

Core.....Ferrite DR and RI core
 Wire.....Enamelled copper
 TerminalAg/Ni/Sn
 Rated Current
Ind. drop 35 % typ. at Isat
 Temperature Rise
30 °C max. at rated Irms
 Packaging.....1000 pcs. per reel

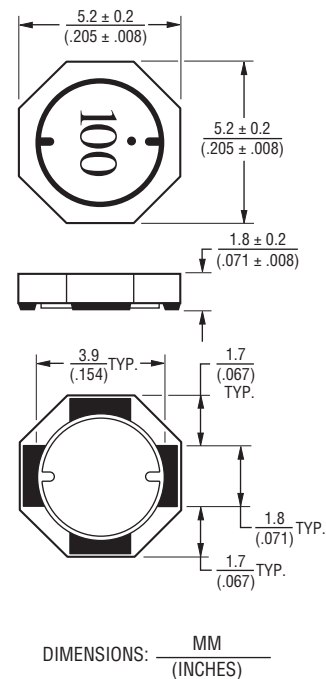
Electrical Schematic



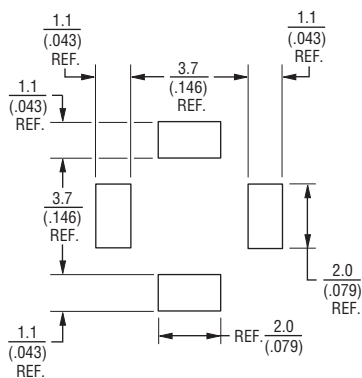
Inductor Connection



Product Dimensions



Recommended Layout

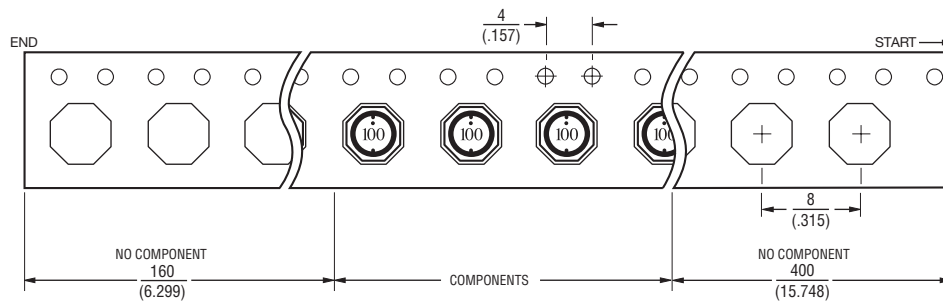
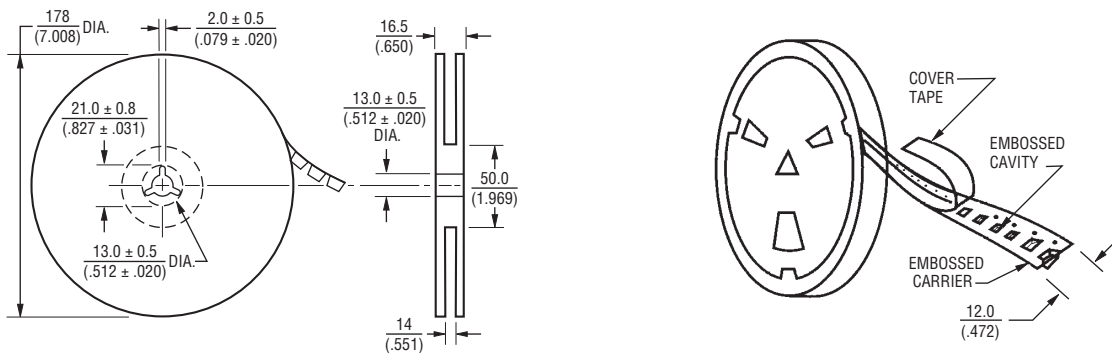


*RoHS Directive 2002/95/EC Jan 27, 2003 including Annex. Specifications are subject to change without notice. Customers should verify actual device performance in their specific applications.

SRU5018 Series - Shielded SMD Power Inductors

BOURNS®

Packaging Specifications



USER DIRECTION OF FEED →

QTY: 1,000 PCS. PER REEL

DIMENSIONS: $\frac{\text{MM}}{\text{(INCHES)}}$

REV. 01/11

Specifications are subject to change without notice.

Customers should verify actual device performance in their specific applications.