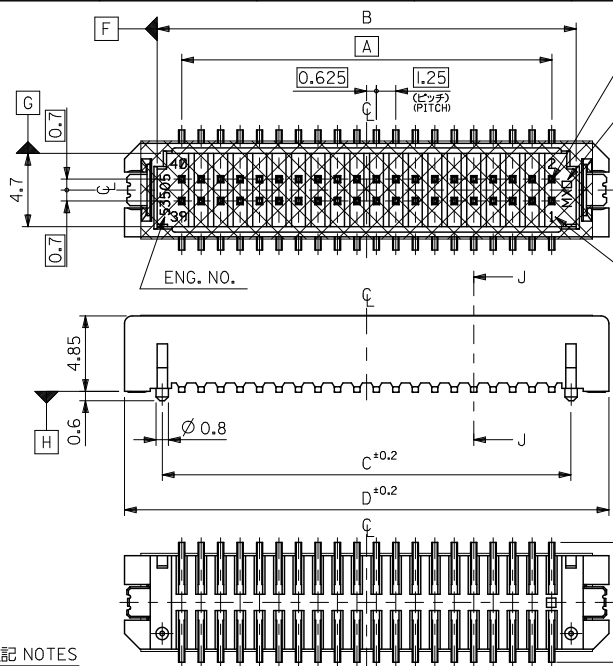
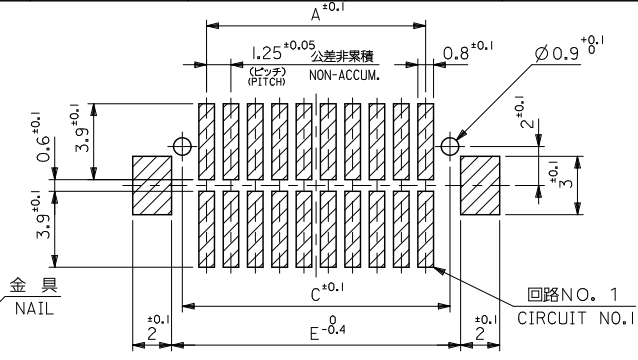


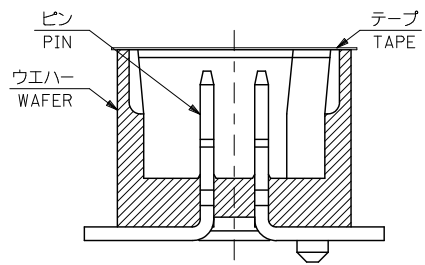
10 9 8 7 6 5 4 3 2 1



⌀ 0.4 F G  
 トレードマーク  
 TRADE MARK  
 回路番号  
 CIRCUIT NO.



推奨基板寸法 (参考)  
 RECOMMENDED PCB PATTERN LAYOUT  
 (REFERENCE)



SECT. J-J  
 (SCALE 10:1)

注記 NOTES

- 1 嵌合相手 : 51127 シリーズ  
 MATE WITH : 51127 SERIES
- 2 使用材料 MATERIAL  
 ウエハー : ガラス入りPA, UL94V-0  
 WAFER : G.F. PA, UL94V-0  
 ピン : リン青銅 (t=0.35)  
 PIN : PHOSPHOR BRONZE (t=0.35)  
 金メッキ 0.2 MICROMETER MIN.  
 Au  
 錫メッキ 1.0 MICROMETER MIN.  
 Sn  
 ニッケル下地 2.0 MICROMETER MIN.  
 Ni(UNDER)
- 3 金具  
 NAIL : リン青銅 (t=0.2)  
 PHOSPHOR BRONZE (t=0.2)  
 錫メッキ 1.0 MICROMETER MIN.  
 Sn  
 ニッケル下地 1.0 MICROMETER MIN.  
 Ni(UNDER)
- 4 テープ  
 TAPE : ポリイミド (t=50μm)  
 PI (t=50μm)

- 4 ピン及び金具の半田付け面のバラツキ寸法  
 PIN AND NAIL COPLANARITY  
 [H]面を基準とし、上へ 0 下へ 0.1 の範囲とする。  
 TAILS TO BE WITHIN 0 UPWARD AND  
 0.1 DOWNWARD FROM [H] PLANE.
- 5 本製品は53505-\*\*10の鉛フリー品である。  
 THIS PRODUCT IS LEAD FREE OF 53505-\*\*10.
6. ELV 及び RoHS適合品  
 ELV AND ROHS COMPLIANT.

21.1	24.85	20.0	20.65	17.5	53505-3071	30
E	D	C	B	A	EMBOSSED PACKAGE	CKT. 種数
					オーダー番号 ORDER NO.	

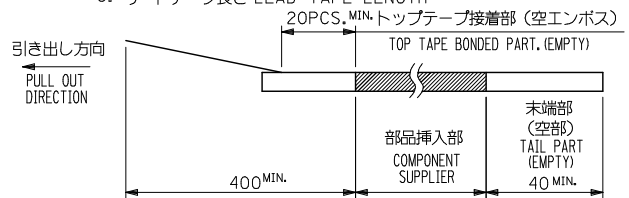
CONNECTOR SERIES NO. 53505-\*\*19

REVISED EC NO: J2010-1709 DRAWN: SIZUKI 2010/02/22 CHKD: HATAJUNO 2010/03/29 APPR: HIRATA 2010/03/30 REV	GENERAL TOLERANCES (UNLESS SPECIFIED)		DIMENSION STYLE MM ONLY		SCALE 4:1	DESIGN UNITS METRIC	THIRD ANGLE PROJECTION
	10 UNDER	±0.2	DRAWN BY Y. WADA	DATE '04/02/10	TITLE 1.25 DUAL W/B CONN WAFER ASSY		
	10 OVER 30 UNDER	±0.25	CHECKED BY M. SASAO	DATE '04/02/10	MOLEX INCORPORATED		
	30 OVER	±0.3	APPROVED BY M. SASAO	DATE '04/02/10	DOCUMENT NO. SD-53505-001		
ANGULAR ±3°		DRAFT WHERE APPLICABLE MUST REMAIN WITHIN DIMENSIONS		MATERIAL NO. SEE TABLE		SHEET NO. 1 OF 1	
SIZE A3				THIS DRAWING CONTAINS INFORMATION THAT IS PROPRIETARY TO MOLEX INCORPORATED AND SHOULD NOT BE USED WITHOUT WRITTEN PERMISSION			

10 9 8 7 6 5 4 3 2 1

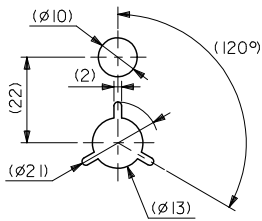
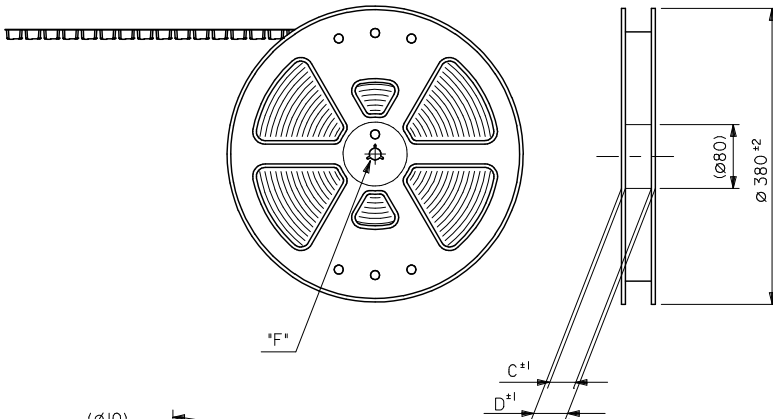
NOTES

- 製品詳細寸法については図面 SD-53505-001 を参照下さい。  
RE DETAILED DIMENSION, SEE SD-53505-001
- 梱包数量：1000個/リール  
NUMBER OF CONNECTORS：1000PCS/REEL
- リードテープ長さ LEAD TAPE LENGTH



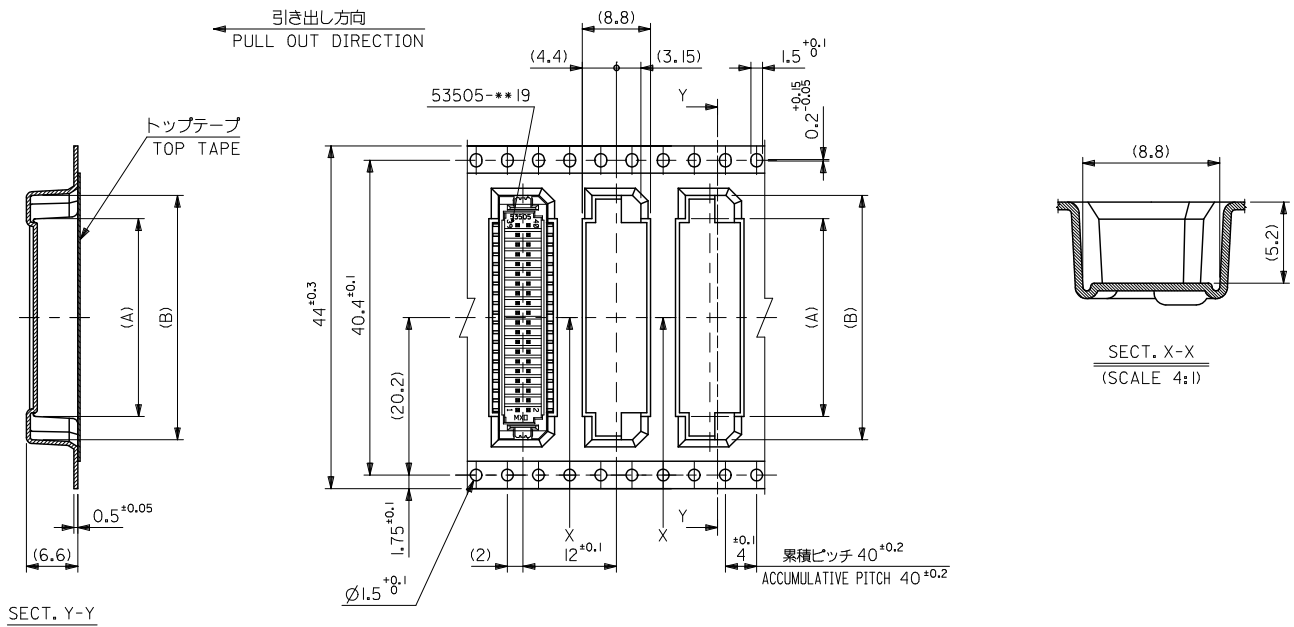
- 材料 (MATERIAL)  
キャリアテープ (CARRIER TAPE)：ポリプロピレン (POLYPROPYLENE)  
トップテープ (TOPTAPE)：PET, PE, PEF  
リール (REEL)：ポリスチレン (PS) <リサイクル材を含む>  
POLYSTYRENE (PS) <RECYCLE MATERIAL CONTAINED>
- 本製品は53505-\*\*\*90の鉛フリー品である。  
THIS PRODUCT IS LEAD FREE OF 53505-\*\*\*90.
- ELV 及び RoHS適合品  
ELV AND RoHS COMPLIANT.

引き出し方向  
PULL OUT



DETAIL "F"

REVISED EC NO: J2009-0588 DRAWN BY: YOSHIDAM 2008/12/04 CHKD: THARYAMA 2008/12/04 APPR: NIKITA 2009/01/09	GENERAL TOLERANCES (UNLESS SPECIFIED)		DIMENSION STYLE MM ONLY		SCALE ---	53505-***71	MODEL NO.
	10 UNDER	±0.2	DRAWN BY Y. WADA	DATE '04/02/10	TITLE 1.25 DUAL W/B CONN WAFER ASSY EMBSTP PKG	DESIGN UNITS METRIC	THIRD ANGLE PROJECTION
	10 OVER 30 UNDER	±0.25	CHECKED BY M. SASAO	DATE '04/02/10	MOLEX INCORPORATED	DOCUMENT NO. SD-53505-002	SHEET NO. 1 OF 2
	30 OVER	±0.3	APPROVED BY M. SASAO	DATE '04/02/10			
DESCRIPTION B	ANGULAR ±3 °	MATERIAL NO. SEE SHEET 2		THIS DRAWING CONTAINS INFORMATION THAT IS PROPRIETARY TO MOLEX INCORPORATED AND SHOULD NOT BE USED WITHOUT WRITTEN PERMISSION			
REV	DRAFT WHERE APPLICABLE MUST REMAIN WITHIN DIMENSIONS		SIZE A3				



44mm幅キャリアテープ  
44mm WIDTH CARRIER TAPE

44	49.4	45.4	25.15	19.15	53505-3071	30
キャリアテープ幅 CARRIER TAPE WIDTH	D	C	(B)	(A)	MATERIAL NO.	種数 CKT.

REVISED E.C. NO: J2009-0588 DRAWN: YOSHIDAM 2008/12/04 CHECKED: THARYAMA 2008/12/04 APPR: NIKITA 2009/01/09	GENERAL TOLERANCES (UNLESS SPECIFIED)		DIMENSION STYLE MM ONLY		SCALE ---	DESIGN UNITS METRIC	THIRD ANGLE PROJECTION
	10 UNDER	±---	DRAWN BY Y. WADA	DATE '04/02/10	TITLE 1.25 DUAL W/B CONN WAFER ASSY EMBSTP PKG		
	10 OVER 30 UNDER	±---	CHECKED BY M. SASAO	DATE '04/02/10	MOLEX INCORPORATED		
	30 OVER	±---	APPROVED BY M. SASAO	DATE '04/02/10	DOCUMENT NO. SD-53505-002	SHEET NO. 2 OF 2	
ANGULAR ±--- °		DRAFT WHERE APPLICABLE MUST REMAIN WITHIN DIMENSIONS		MATERIAL NO. SEE TABLE			