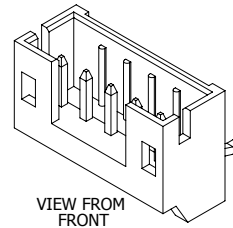
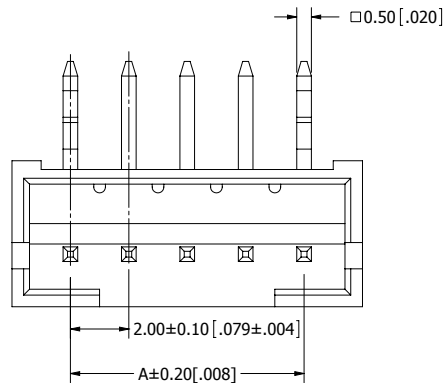


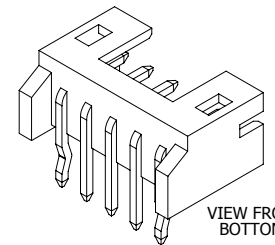
PART NUMBER CODING
SWR201-NREN-S_-RL-WH

NUMBER OF POSITIONS
 (CONTACTS PER ROW)

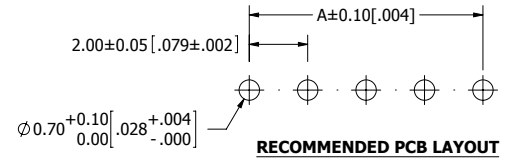
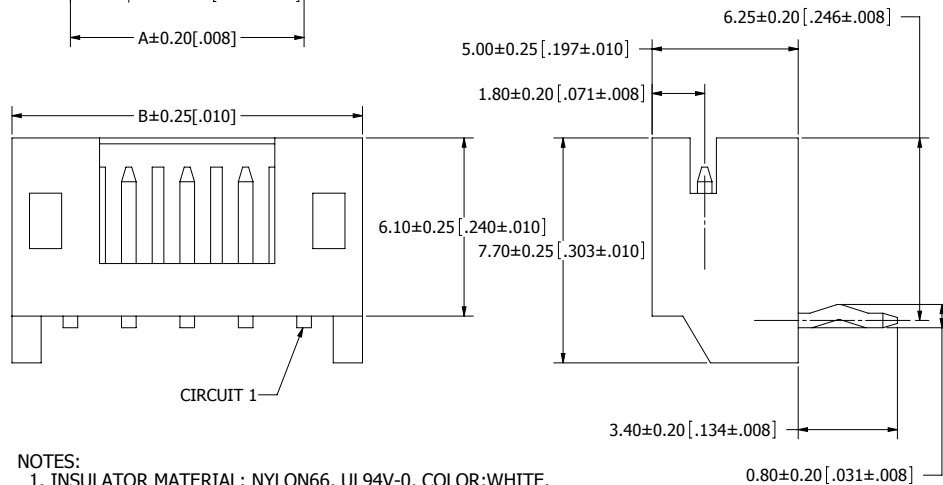
REVISIONS				
REV.	ECO. NO	DESCRIPTION	DATE	BY
A	2003	INITIAL RELEASE	7/17/2009	JH



VIEW FROM FRONT



VIEW FROM BOTTOM



RECOMMENDED PCB LAYOUT

Part Number	Positions/ Contacts	A		B	
		MM	INCH	MM	INCH
SWR201-NREN-S02-RL-WH	02/02	2.00	0.079	6.00	0.236
SWR201-NREN-S03-RL-WH	03/03	4.00	0.157	8.00	0.315
SWR201-NREN-S04-RL-WH	04/04	6.00	0.236	10.00	0.394
SWR201-NREN-S05-RL-WH	05/05	8.00	0.315	12.00	0.472
SWR201-NREN-S06-RL-WH	06/06	10.00	0.394	14.00	0.551
SWR201-NREN-S07-RL-WH	07/07	12.00	0.472	16.00	0.630
SWR201-NREN-S08-RL-WH	08/08	14.00	0.551	18.00	0.709
SWR201-NREN-S09-RL-WH	09/09	16.00	0.630	20.00	0.787
SWR201-NREN-S10-RL-WH	10/10	18.00	0.709	22.00	0.866
SWR201-NREN-S11-RL-WH	11/11	20.00	0.787	24.00	0.945
SWR201-NREN-S12-RL-WH	12/12	22.00	0.866	26.00	1.024
SWR201-NREN-S13-RL-WH	13/13	24.00	0.945	28.00	1.102
SWR201-NREN-S14-RL-WH	14/14	26.00	1.024	30.00	1.181
SWR201-NREN-S15-RL-WH	15/15	28.00	1.102	32.00	1.260
SWR201-NREN-S16-RL-WH	16/16	30.00	1.181	34.00	1.339

- NOTES:**
1. INSULATOR MATERIAL: NYLON66, UL94V-0, COLOR:WHITE.
 2. CONTACT MATERIAL: BRASS.
 3. CONTACT PLATING: TIN OVERALL.
 4. CURRENT RATING: 2 AMPS.
 5. VOLTAGE RATING: 100V AC/DC.
 6. INSULATOR RESISTANCE: 1000 MEGOHMS MIN.
 7. CONTACT RESISTANCE: 10 MILLIOHMS MAX.
 8. DIELECTRIC WITHSTANDING VOLTAGE: 800V AC.
 9. OPERATING TEMPERATURE: -25° C TO +85° C.
 10. MATES WITH SWH201 SERIES SINGLE ROW HOUSING.



RoHS COMPLIANT

UNLESS OTHERWISE SPECIFIED:
 DIMENSIONS ARE IN MM(INCHES)
 TOLERANCES:
 ANGULAR: ± 5°
 X = ± 3 [0.1]
 XX = ± 15 [0.04]
 XXX = ± 0.50 [0.020]
 SURFACE FINISH: 63 Ra
 REMOVE ALL BURRS AND SHARP EDGES .010 MAX
 INTERPRET DIMENSIONS AND GEOMETRIC
 TOLERANCING
 PER: ANSI Y14.5M-1994

DATE	NAME	DESCRIPTION	PART NUMBER	SIZE	DWG. NO.	REV
9/03/09	JH					

SCALE: 10:1 SHEET 1 OF 1