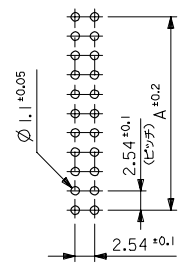
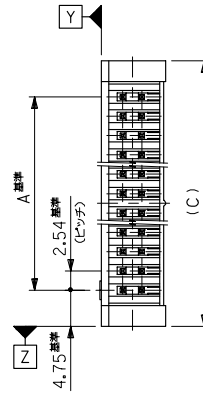
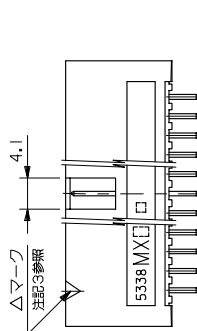
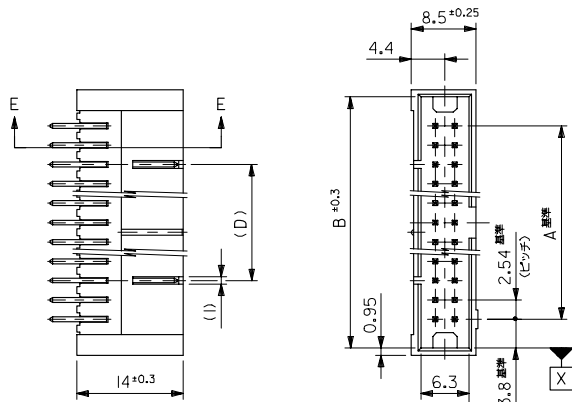
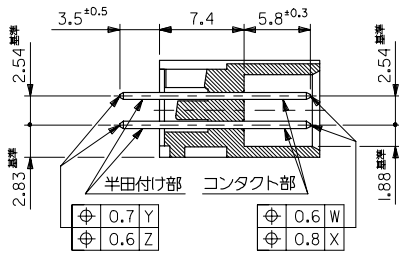


10 9 8 7 6 5 4 3 2 1



基板取付穴推奨寸法



SECT. E-E  
(SCALE 3-1)

注記

- 材料 ウエハー : ガラス繊維 15% 入り PBTP (UL94V-0), 黒色  
ピン : 黄銅, サイズ  $\square 0.635$
- 嵌合相手 : 5320 シリーズ
- 使用符号の説明

5332 - N \*  
 ベースナンバー  
 極数  
 ピンのメッキコード

コード*	△マークの色	コンタクト部	半田付け部	下地メッキ
GS1	黄	金 0.1 $\mu$ m MIN.	半田 3 $\mu$ m MIN.	
GS3	青	金 0.25 $\mu$ m MIN.		ニッケル 1 $\mu$ m MIN.
LEAD-FREE GS17F	黄	金 0.1 $\mu$ m MIN.	錫 1 $\mu$ m MIN.	
LEAD-FREE GS37F	青	金 0.25 $\mu$ m MIN.		ニッケル 0.5 $\mu$ m MIN.
LEAD-FREE T2	黒		錫 1 $\mu$ m MIN.	

60	73.66	81.26	83.16	63.50
50	60.96	68.56	70.46	50.80
40	48.26	55.86	57.76	38.10
34	40.64	48.24	50.14	30.48
30	35.56	43.16	45.06	25.40
26	30.48	38.08	39.98	—
20	22.86	30.46	32.36	—
16	17.78	25.38	27.28	—
14	15.24	22.84	24.74	—
10	10.16	17.76	19.66	—
極数	A 寸法	B 寸法	C 寸法	D 寸法

fb\_frame A3\_1\_ME\_S  
Rev. D 2004/04/02

REVISED EC NO: J2006-2606 DRAWN: TAKEMOTO 2006/03/22 CHKD: H. ANAKA 2006/03/22 APPR: N. ITO 2006/03/24	GENERAL TOLERANCES (UNLESS SPECIFIED)		DIMENSION STYLE MM ONLY		SCALE 2:1	DESIGN UNITS METRIC	THIRD ANGLE PROJECTION
	10 UNDER	±0.2	DRAWN BY H. HIRAMOTO	DATE 1990/06/19	TITLE QIK FLECS WAFER ASSY ST JAPANESE ONLY		
	10 OVER 30 UNDER	±0.25	CHECKED BY M. SASAO	DATE			
	30 OVER	±0.3	APPROVED BY H. IKESUGI	DATE	DOCUMENT NO. SD-5332-001		
ANGULAR ±3 °		DRAFT WHERE APPLICABLE MUST REMAIN WITHIN DIMENSIONS		MATERIAL NO. SEE SHEET 2 OF 2	SHEET NO. 1 OF 2		

THIS DRAWING CONTAINS INFORMATION THAT IS PROPRIETARY TO MOLEX INCORPORATED AND SHOULD NOT BE USED WITHOUT WRITTEN PERMISSION

EN-02JA(021)

10 9 8 7 6 5 4 3 2 1

F

E

D

C

B

A

F

E

D

C

B

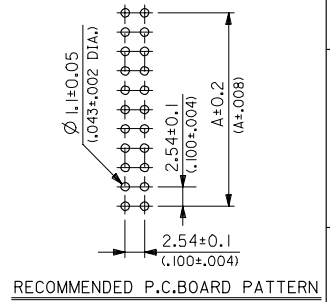
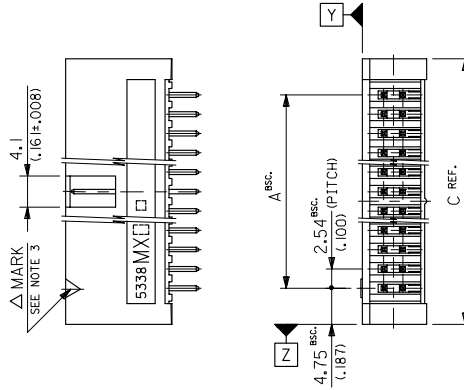
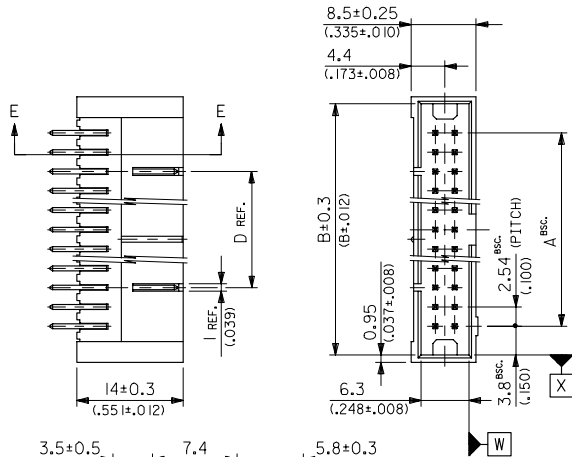
A

		60
		50
		40
39-28-534I	5332-34T2	34
↑ -530I	↑ -30T2	30
↑ -526I	↑ -26T2	26
↑ -520I	↑ -20T2	20
↑ -516I	↑ -16T2	16
↑ -514I	↑ -14T2	14
39-28-510I	5332-10T2	10
EDP NO.	ENG. NO.	極数
5332-NT2	-LEAD FREE-	

39-53-6606	5332-60GS37F	39-26-7607	5332-60GS3	60
↑ -6506	↑ -50GS37F	↑ -7507	↑ -50GS3	50
↑ -6406	↑ -40GS37F	↑ -7407	↑ -40GS3	40
↑ -6346	↑ -34GS37F	↑ -7347	↑ -34GS3	34
↑ -6306	↑ -30GS37F	↑ -7307	↑ -30GS3	30
↑ -6266	↑ -26GS37F	↑ -7267	↑ -26GS3	26
↑ -6206	↑ -20GS37F	↑ -7207	↑ -20GS3	20
↑ -6166	↑ -16GS37F	↑ -7167	↑ -16GS3	16
↑ -6146	↑ -14GS37F	↑ -7147	↑ -14GS3	14
39-53-6106	5332-10GS37F	39-26-7107	5332-10GS3	10
EDP NO.	ENG. NO.	EDP NO.	ENG. NO.	極数
5332-NGS37F	-LEAD FREE-	5332-NGS3		
39-53-6604	5332-60GS17F	39-26-7605	5332-60GS1	60
↑ -6504	↑ -50GS17F	↑ -7505	↑ -50GS1	50
↑ -6404	↑ -40GS17F	↑ -7405	↑ -40GS1	40
↑ -6344	↑ -34GS17F	↑ -7345	↑ -34GS1	34
↑ -6304	↑ -30GS17F	↑ -7305	↑ -30GS1	30
↑ -6264	↑ -26GS17F	↑ -7265	↑ -26GS1	26
↑ -6204	↑ -20GS17F	↑ -7205	↑ -20GS1	20
↑ -6164	↑ -16GS17F	↑ -7165	↑ -16GS1	16
↑ -6144	↑ -14GS17F	↑ -7145	↑ -14GS1	14
39-53-6104	5332-10GS17F	39-26-7105	5332-10GS1	10
EDP NO.	ENG. NO.	EDP NO.	ENG. NO.	極数
5332-NGS17F	-LEAD FREE-	5332-NGS1		

REVISED EC NO. J2006-2606 DRW: HIRAMOTO 2006/03/22 CHK: HIRAMOTO 2006/03/22 APPR: NUKITA 2006/03/24	GENERAL TOLERANCES (UNLESS SPECIFIED)		DIMENSION STYLE MM ONLY		SCALE 2:1	DESIGN UNITS METRIC	THIRD ANGLE PROJECTION
	10 UNDER	±0.2	DRAWN BY H. HIRAMOTO	DATE 1990/06/19	TITLE QIK FLECS WAFER ASSY ST. JAPANESE ONLY		
	10 OVER 30 UNDER	±0.25	CHECKED BY M. SASAO	DATE			
	30 OVER	±0.3	APPROVED BY H. IKESUGI	DATE			
	ANGULAR	±3 °	MATERIAL NO. SEE CHART		DOCUMENT NO. SD-5332-001	SHEET NO. 2 OF 2	
DRAFT WHERE APPLICABLE MUST REMAIN WITHIN DIMENSIONS		THIS DRAWING CONTAINS INFORMATION THAT IS PROPRIETARY TO MOLEX INCORPORATED AND SHOULD NOT BE USED WITHOUT WRITTEN PERMISSION					

10 9 8 7 6 5 4 3 2 1



NOTES

- MATERIAL WAFER : G.F. 15% PBT (UL94V-0), COLOR---BLACK  
PINS : BRASS, SIZE--- $\square$ 0.635(.025 SQ.)
- MATES WITH MOLEX CONNECTOR SERIES OF 5320.
- LEGEND

5332 - N \*  
 BASE NUMBER \_\_\_\_\_  
 CIRCUIT SIZE \_\_\_\_\_  
 PLATING CODE OF PIN \_\_\_\_\_

CODE:*	MARK COLOR	CONTACT AREA	SOLDER AREA	UNDER PLATE
GS1	YELLOW	GOLD 0.1 $\mu$ m(.000004) MIN.	TIN-LEAD 3 $\mu$ m(.00012) MIN.	NICKEL 1 $\mu$ m(.00004) MIN.
GS3	BLUE	GOLD 0.25 $\mu$ m(.00001) MIN.	TIN 1 $\mu$ m(.00004) MIN.	
LEAD-FREE GS17F	YELLOW	GOLD 0.1 $\mu$ m(.000004) MIN.	TIN 1 $\mu$ m(.00004) MIN.	NICKEL 0.5 $\mu$ m(.00002) MIN.
LEAD-FREE GS37F	BLUE	GOLD 0.25 $\mu$ m(.00001) MIN.	TIN 1 $\mu$ m(.00004) MIN.	
LEAD-FREE T2	BLACK	TIN 1 $\mu$ m(.00004) MIN.		

SECT. E-E  
(SCALE 3-1)

	DIM. A	DIM. B	DIM. C	DIM. D
60	73.66 (2.900)	81.26 (3.200)	83.16 (3.274)	63.50 (2.500)
50	60.96 (2.400)	68.56 (2.700)	70.46 (2.774)	50.80 (2.000)
40	48.26 (1.900)	55.86 (2.200)	57.76 (2.274)	38.10 (1.500)
36	43.18 (1.700)	50.78 (2.000)	52.68 (2.074)	33.02 (1.300)
34	40.64 (1.600)	48.24 (1.900)	50.14 (1.974)	30.48 (1.200)
30	35.56 (1.400)	43.16 (1.700)	45.06 (1.774)	25.40 (1.000)
26	30.48 (1.200)	38.08 (1.500)	39.98 (1.574)	—
20	22.86 (.900)	30.46 (1.200)	32.36 (1.274)	—
16	17.78 (.700)	25.38 (1.000)	27.28 (1.074)	—
14	15.24 (.600)	22.84 (.900)	24.74 (.974)	—
10	10.16 (.400)	17.76 (.700)	19.66 (.774)	—

NO. OF  
CKTS: DIM. A DIM. B DIM. C DIM. D  
Rev. D 2004/04/02

REVISED EC NO: J2006-2606 DRAWN: HIRAMOTO CHKD: HIRAMOTO APPR: NIKITA	DESCRIPTION 2006/03/22 2006/03/22 2006/03/24	GENERAL TOLERANCES (UNLESS SPECIFIED)		DIMENSION STYLE MM/IN	SCALE 2:1	DESIGN UNITS METRIC	THIRD ANGLE PROJECTION	
		10 UNDER	±0.2	DRAWN BY H. HIRAMOTO	DATE 1989/07/18	TITLE QIK FLECS WAFER ASSY ST ENGLISH ONLY		
		10 OVER 30 UNDER	±0.25	CHECKED BY M. SASAO	DATE	MOLEX INCORPORATED		
		30 OVER	±0.3	APPROVED BY H. IKESUGI	DATE	DOCUMENT NO. SD-5332-003	SHEET NO. 1 OF 2	
ANGULAR ±3 °		DRAFT WHERE APPLICABLE MUST REMAIN WITHIN DIMENSIONS		MATERIAL NO. SEE SHEET 2 OF 2	THIS DRAWING CONTAINS INFORMATION THAT IS PROPRIETARY TO MOLEX INCORPORATED AND SHOULD NOT BE USED WITHOUT WRITTEN PERMISSION			

EN-02JA(021)

