

PLATING OPTIONS:

- 0.38um/15uin GOLD IN CONTACT AREA AND 1.88um/75uin MIN.TIN IN SOLDER TAIL AREA OVER 1.27um/50uin MIN. NICKEL OVERALL.
- 0.76um/30uin GOLD IN CONTACT AREA AND 1.88um/75uin MIN.TIN IN SOLDER TAIL AREA OVER 1.27um/50uin MIN. NICKEL OVERALL.

NOTES:

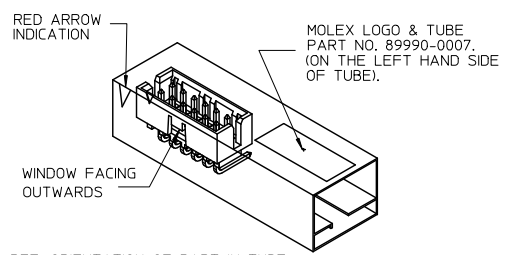
- FOR ILLUSTRATION PURPOSES, 8 CIRCUIT SIZE WAFER IS SHOWN.
- MATERIAL : HOUSING : NYLON 46, GLASS FILLED, UL94V-0, COLOR BLACK. PIN : 0.50MM SQ.PHOSPHOR BRONZE. KAPTON TAPE : POLYIMIDE 4mm X 30m X 0.055mm COLOR: AMBER
- PRODUCT SPECIFICATION PS-87831-027 APPLIES.
- CKT 4 & 6 HAS NO IDENTIFICATION TAG.
- THIS HEADER MATES WITH MOLEX:
 - CRIMP RECEPTACLE HOUSING, 51110 SERIES WITH CRIMP TERMINAL, 50394 SERIES.
 - 2MM MILLIGRID DUAL ROW IDT, 87568 SERIES.
- PARTS TO BE PACKED WITH MOISTURE BARRIER BAG.
- NO CENTRE POLARIZATION SLOT FOR CKT SIZE 4 AND 6

ASSEMBLY P/N PACKED IN TUBE (W/O KAPTON)	ASSEMBLY P/N PACKED IN TUBE (WITH KAPTON)	ASSEMBLY P/N PACKED IN T&R (WITH KAPTON)	CKT SIZE	VOID PIN LOCATION	DIMENSION						PLATING OPTION
					A	B	C	D	E	F	
87833-0431	87833-0441	87833-0451	4	-	6.65	2.00	5.00	4.85	1.00	2.16	1
87833-0631	87833-0641	87833-0651	6	-	8.65	4.00	7.00	6.85	2.00	2.16	1
87833-0831	87833-0841	87833-0851	8	-	10.65	6.00	9.00	8.85	3.00	2.16	1
87833-1031	-	-	10	-	12.65	8.00	11.00	10.85	4.00	2.16	1
87833-1231	-	-	12	-	14.65	10.00	13.00	12.85	5.00	2.16	1
87833-5230	-	-	1	1	-	-	-	-	-	-	-
87833-0432	-	-	4	-	6.65	2.00	5.00	4.85	1.00	2.16	2
87833-0632	-	-	6	-	8.65	4.00	7.00	6.85	2.00	2.16	2
87833-0832	-	-	8	-	10.65	6.00	9.00	8.85	3.00	2.16	2
87833-1032	-	-	10	-	12.65	8.00	11.00	10.85	4.00	2.16	2
87833-1232	-	-	12	-	14.65	10.00	13.00	12.85	5.00	2.16	2
87833-5220	-	-	10	10	12.65	8.00	11.00	10.85	4.00	2.16	1
-	87833-1041	87833-1051	10	-	12.65	8.00	11.00	10.85	4.00	1.70	1
87833-0661	-	-	6	-	8.65	4.00	7.00	6.85	2.00	3.18	1

ADD IN NOTE NO. 7 E.C. NO: S22009-0964 DRWN: YIMCHONG 2009/07/04 CHKD: SKANG 2009/07/08 APPR: M.LONG 2009/07/15 A13	QUALITY SYMBOLS $\nabla=0$ $\nabla=0$	GENERAL TOLERANCES (UNLESS SPECIFIED)		DIMENSION STYLE		SCALE	DESIGN UNITS	THIRD ANGLE PROJECTION			
				MM ONLY		NTS	METRIC				
				mm	INCH	DRAWN BY DATE		TITLE			
				4 PLACES ± --- ± ---	ATSEE 2003/10/23	MGRID, SHROUDED HEADER W/LOCKING FEATURE, R/A					
		3 PLACES ± --- ± ---	CHECKED BY DATE	MOLEX INCORPORATED							
		2 PLACES ± 0.2 ± ---	KCL ING 2003/11/07	DOCUMENT NO. SD-87833-011							
		1 PLACE ± --- ± ---	APPROVED BY DATE	SHEET NO. 1 OF 2							
		ANGULAR ± 3°	SKTOH 2003/11/07	THIS DRAWING CONTAINS INFORMATION THAT IS PROPRIETARY TO MOLEX INCORPORATED AND SHOULD NOT BE USED WITHOUT WRITTEN PERMISSION							
		DRAFT WHERE APPLICABLE MUST REMAIN WITHIN DIMENSIONS		MATERIAL NO. SEE TABLE							

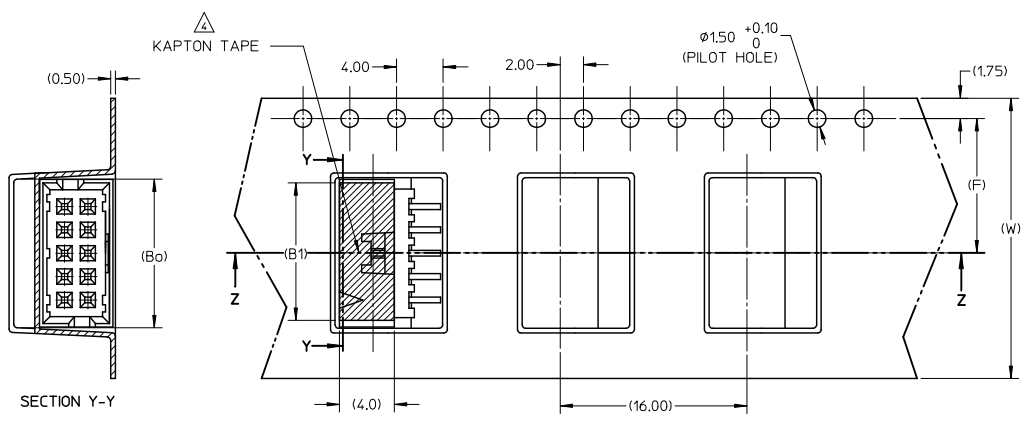
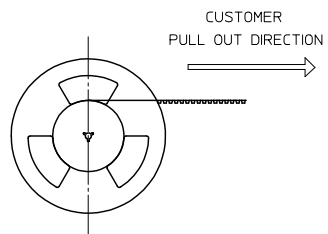
RECOMMENDED PCB PATTERN

10 9 8 7 6 5 4 3 2 1



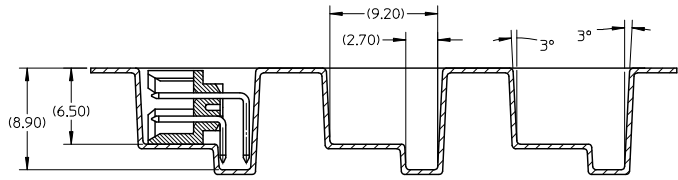
ASSEMBLY P/N PACKED IN T&R (WITH KAPTON)	CKT SIZE	(F)	(Bo)	(B1)	(W)
87833-0451	04	7.50	7.00	6.00	16.00
87833-0651	06	11.50	9.00		24.00
87833-0851	08	11.50	11.00	10.00	24.00
87833-1051	10	11.50	13.00	12.00	24.00

REF: ORIENTATION OF PART IN TUBE. (FOR THE REFERENCE OF PART/TUBE ASSEMBLY.)



NOTES:

- LEADER AND TRAILER TAPE
- PEELING OFF FORCE OF THE TOP TAPE: 20-80gf. (PEELING DIRECTION AS SHOWN IN FOLLOWING FIGURE)
- PACKAGING STANDARD IS AS PER EIA-481.
- KAPTON TAPE SHOULD BE LOCATED AS CENTRAL OF PART AS POSSIBLE AND MUST COVER THE WINDOWS.
- TAPE & REEL QUANTITY : 500 PCS/REEL



ADD IN NOTE NO. 7 E.C. NO: S2009-0964 DRAWN BY: CHYK-SYANG CHECKED BY: CHYK-SYANG APPROVED BY: CHYK-SYANG DATE: 2009/07/07 DATE: 2009/07/15	QUALITY SYMBOLS ▽=0 ▽=0	GENERAL TOLERANCES (UNLESS SPECIFIED)		DIMENSION STYLE		SCALE	DESIGN UNITS	THIRD ANGLE PROJECTION			
				MM ONLY		NTS	METRIC				
				DRAWN BY: ATSEE		DATE: 2003/10/23		TITLE: MGRID, SHROUDED HEADER W/LOCKING FEATURE, R/A			
				CHECKED BY: KCLING		DATE: 2003/11/07		MOLEX INCORPORATED			
		APPROVED BY: SKTOH		DATE: 2003/11/07		DOCUMENT NO. SD-87833-011		SHEET NO. 2 OF 2			
DRAFT WHERE APPLICABLE MUST REMAIN WITHIN DIMENSIONS		MATERIAL NO. SEE TABLE		THIS DRAWING CONTAINS INFORMATION THAT IS PROPRIETARY TO MOLEX INCORPORATED AND SHOULD NOT BE USED WITHOUT WRITTEN PERMISSION							