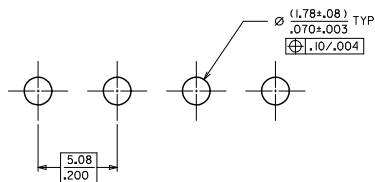
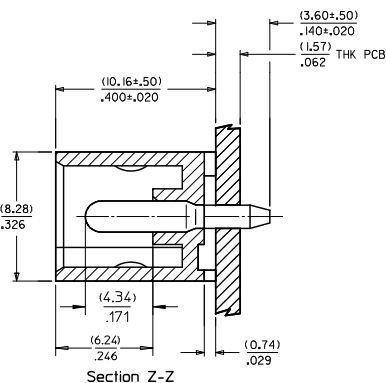
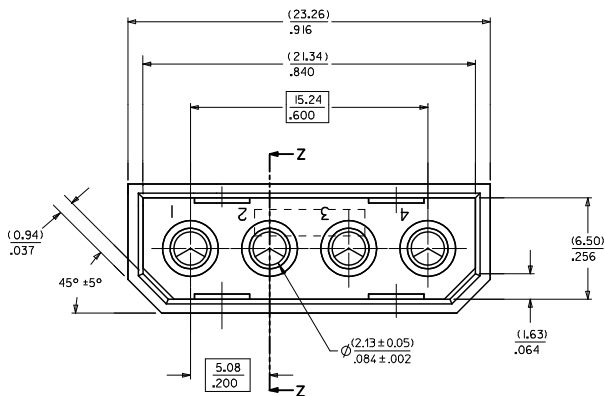


MAT'L NO.	ENG NO.
15-24-4449	A-8981-4V-LF



RECOMMENDED P C B HOLE LAYOUT

NOTES:

- PART TO MATE WITH HOUSING 8981-4P AND TERMINAL 8980-3*
- PRODUCT SPEC. PS - 8981-4V* APPLIES

MATERIAL :

HOUSING : NYLON 6/6, UNFILLED, 94V-2, COLOR - BEIGE.
 TERMINAL : PHOSPHOR BRONZE, C51000
 PLATING : POSTPLATE (0.00254)/.000100 MIN. TIN OVER
 (0.00127)/.000050 MIN. NICKEL OVERALL

UPDATES VIEW EEC NO: S2009-0150 2008/09/19 DRWNSKANG 2008/09/19 CHYKATSEE 2008/09/19 APPR:MLONG	QUALITY SYMBOLS ▽=0 ▽=0	GENERAL TOLERANCES (UNLESS SPECIFIED)		DIMENSION STYLE MM/IN	SCALE NTS	DESIGN UNITS METRIC	THIRD ANGLE PROJECTION		
		4 PLACES ± --- ± --- 3 PLACES ± --- ± .008 2 PLACES ± 0.20 ± --- 1 PLACE ± --- ± ---	mm INCH	DRAWN BY TAY	DATE 1989/05/26	TITLE HEADER, 4 CKTS VERTICAL MOUNT			
		ANGULAR ± 3°	DRAFT WHERE APPLICABLE MUST REMAIN WITHIN DIMENSIONS	CHECKED BY NK	DATE 1989/05/26	MOLEX INCORPORATED			
		MATERIAL NO. SEE TABLE	MATERIAL NO. SDA-8981-4V	APPROVED BY AB	DATE 1989/05/26	DOCUMENT NO.	SHEET NO. 1 OF 1	THIS DRAWING CONTAINS INFORMATION THAT IS PROPRIETARY TO MOLEX INCORPORATED AND SHOULD NOT BE USED WITHOUT WRITTEN PERMISSION	