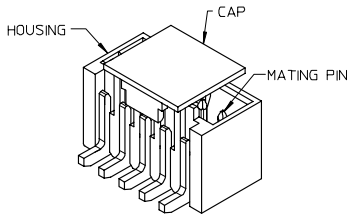


- NOTES:
- MATERIAL:
HOUSING: NYLON, GLASS FILLED, UL94 V-0,
COLOR - SEE TABLE.
CAP: NYLON, GLASS FILLED, UL94V-0
COLOR: BEIGE.
PINS: BRASS ALLOY, C26000, P/N87437-8083.
 - PLATING: 2.54µM. MIN. TIN OVER 1.27µM MIN. NICKEL.
 - DRAWING SHOWS PLUG WITH 5 CIRCUITS.
 - HEADER TO BE USED WITH CRIMP HOUSING, P/N 87439 AND CRIMP TERMINAL, P/N 87421.
 - PARTS TO BE PACKED IN MOISTURE BAG.

| | | | | | | | | | | | | | | |
|---|-------------------------------|---------------------------------------|----------------------|--|---------------------|--------------------|------------------------|------------------------|---------------------|--------------------|----------------------|--------------------|---|--------------|
| ADD MOIST BAG NOTE EC NO.: S2007-1049 DRAWN: SKANG CHECKED: SEE APPROV: HLONG D7 | QUALITY SYMBOLS ▽=0 ▽=0 | GENERAL TOLERANCES (UNLESS SPECIFIED) | | DIMENSION STYLE MM ONLY | | SCALE NTS | DESIGN UNITS METRIC | THIRD ANGLE PROJECTION | | | | | | |
| | | 4 PLACES ± --- ± --- | 3 PLACES ± --- ± --- | 2 PLACES ± 0.20 ± --- | 1 PLACE ± --- ± --- | ANGULAR ± 3 ° | DRAWN BY KCLING | DATE 1994/04/08 | CHECKED BY SKTOH | DATE 1994/04/21 | APPROVED BY RWONG | DATE 1994/04/21 | TITLE 1.50MM PITCH, W-T-B HEADER, VERTICAL, SMT | MATERIAL NO. |
| DRAFT WHERE APPLICABLE MUST REMAIN WITHIN DIMENSIONS | | SEE TABLE | | THIS DRAWING CONTAINS INFORMATION THAT IS PROPRIETARY TO MOLEX INCORPORATED AND SHOULD NOT BE USED WITHOUT WRITTEN PERMISSION | | MOLEX INCORPORATED | | | | | | | | |



PART NUMBER ASSIGNMENT

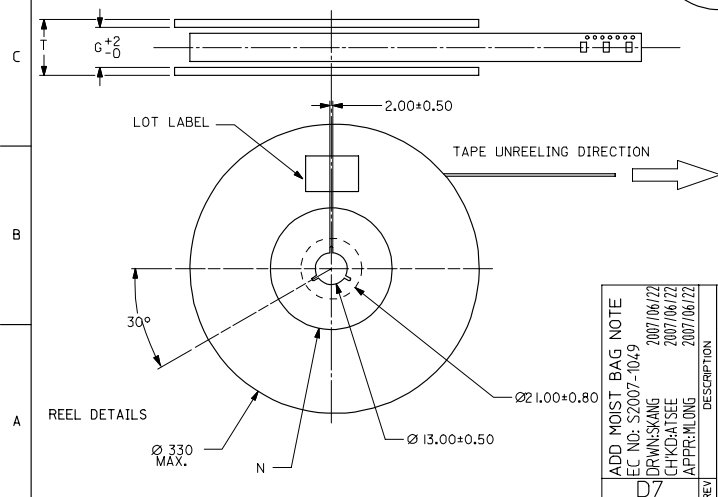
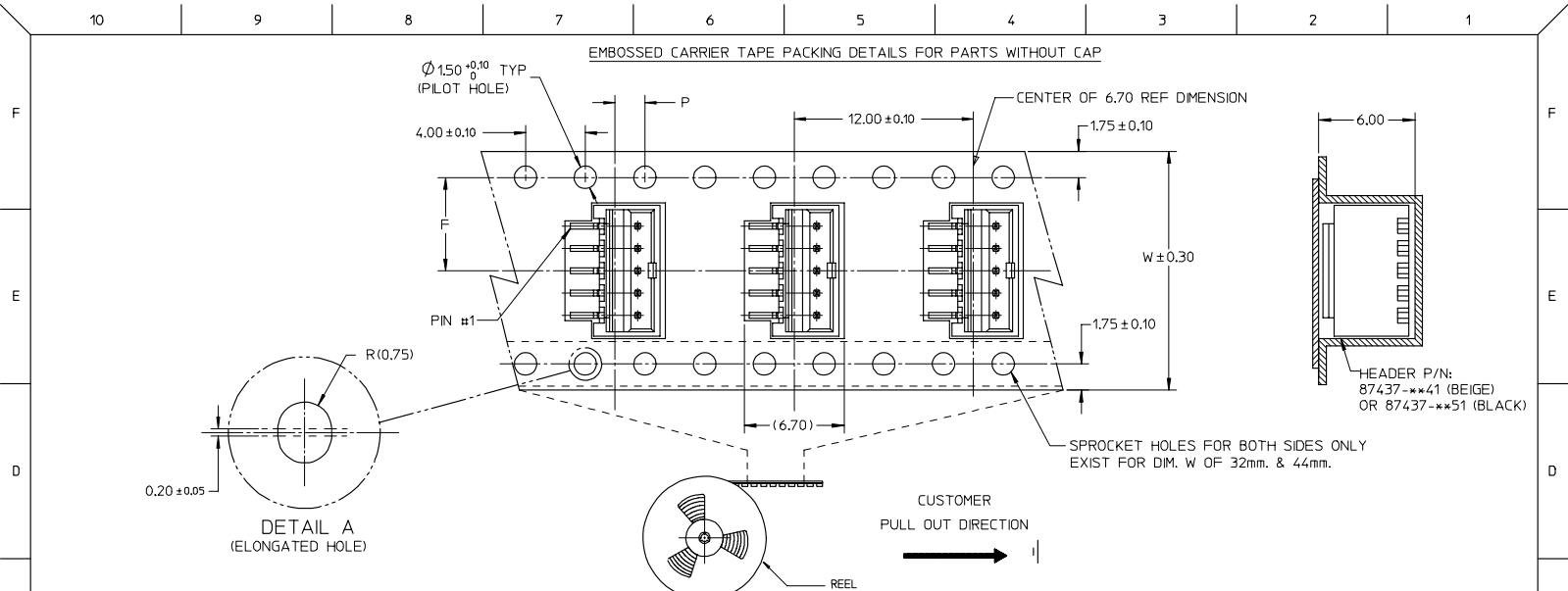
87437-XXXX

- 2- TUBE PACKAGING
- 3- TAPE AND REEL PACKAGING
- 4- BEIGE COLOR HSG } WITHOUT CAP
- 5- BLACK COLOR HSG }
- 6- BLACK COLOR HSG } WITH CAP
- 7- BEIGE COLOR HSG }
- 02 TO 15 CIRCUIT SIZE

| CIRCUIT SIZE | A | B | C | D | E |
|--------------|-------|-------|-------|-------|-------|
| 02 | 1.50 | 3.30 | 3.70 | 4.30 | 1.70 |
| 03 | 3.00 | 4.80 | 5.20 | 5.80 | 3.20 |
| 04 | 4.50 | 6.30 | 6.70 | 7.30 | 4.70 |
| 05 | 6.00 | 7.80 | 8.20 | 8.80 | 6.20 |
| 06 | 7.50 | 9.30 | 9.70 | 10.30 | 7.70 |
| 07 | 9.00 | 10.80 | 11.20 | 11.80 | 9.20 |
| 08 | 10.50 | 12.30 | 12.70 | 13.30 | 10.70 |
| 09 | 12.00 | 13.80 | 14.20 | 14.80 | 12.20 |
| 10 | 13.50 | 15.30 | 15.70 | 16.30 | 13.70 |
| 11 | 15.00 | 16.80 | 17.20 | 17.80 | 15.20 |
| 12 | 16.50 | 18.30 | 18.70 | 19.30 | 16.70 |
| 13 | 18.00 | 19.80 | 20.20 | 20.80 | 18.20 |
| 14 | 19.50 | 21.30 | 21.70 | 22.30 | 19.70 |
| 15 | 21.00 | 22.80 | 23.20 | 23.80 | 21.20 |

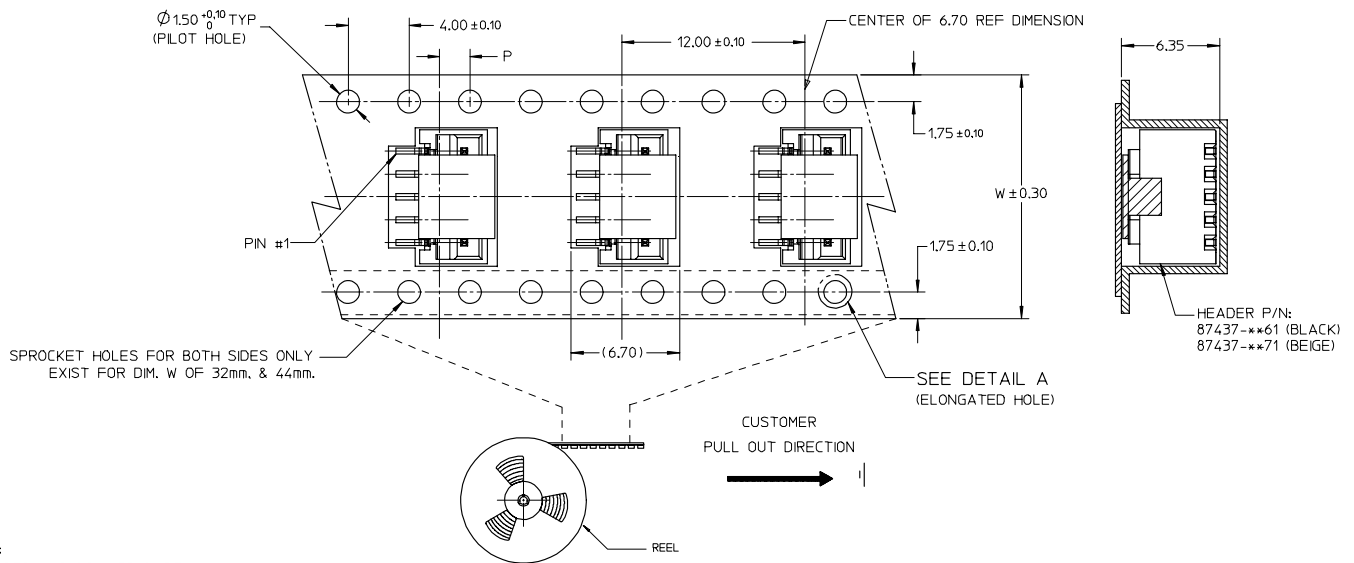
| | | | | | | | | |
|--|-------------------------------|--|-------|----------------------------|--|---|------------------------|---------------------|
| ADD MOIST BAG NOTE EC NO. S2007-1049 DRW:SKANG CHK:KATSEE APPR:HLONG 2007/06/22 2007/06/22 2007/06/22 | QUALITY SYMBOLS ▽=0 ▽=0 | GENERAL TOLERANCES (UNLESS SPECIFIED) | | DIMENSION STYLE MM ONLY | SCALE NTS | DESIGN UNITS METRIC | THIRD ANGLE PROJECTION | |
| | | mm | INCH | DRAWN BY KCLING | DATE 1994/04/08 | TITLE 1.50MM PITCH, W-T-B HEADER, VERTICAL, SMT | | |
| | | 4 PLACES ± --- | ± --- | CHECKED BY SKTOH | DATE 1994/04/21 | MOLEX INCORPORATED | | |
| | | 3 PLACES ± --- | ± --- | APPROVED BY RWONG | DATE 1994/04/21 | MATERIAL NO. SD-87437-***31 | DOCUMENT NO. | SHEET NO. 2 OF 4 |
| 2 PLACES ± 0.20 | ± --- | DRAFT WHERE APPLICABLE MUST REMAIN WITHIN DIMENSIONS | | SEE TABLE | THIS DRAWING CONTAINS INFORMATION THAT IS PROPRIETARY TO MOLEX INCORPORATED AND SHOULD NOT BE USED WITHOUT WRITTEN PERMISSION | | | |
| 1 PLACE ± --- | ± --- | | | SIZE A3 | | | | |
| ANGULAR ± 3 ° | | | | | | | | |

EMBOSSED CARRIER TAPE PACKING DETAILS FOR PARTS WITHOUT CAP

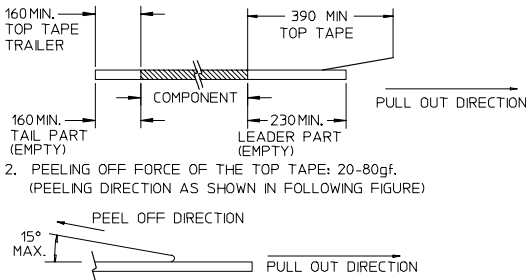


| | | | | | | | | | |
|--|-------------------------------|---------------------------------------|----------------------|--|---------------------|------------------------|--------------------------------|--------------------------------|---------------------|
| ADD MOIST BAG NOTE EC NO. S2007-1049 DRAWN: SKANG CHECKED: SEE APPROV: HLONG 2007/06/22 2007/06/22 2007/06/22 | QUALITY SYMBOLS ▽=0 ▽=0 | GENERAL TOLERANCES (UNLESS SPECIFIED) | | DIMENSION STYLE MM ONLY | SCALE NTS | DESIGN UNITS METRIC | THIRD ANGLE PROJECTION | | |
| | | 4 PLACES ± --- ± --- | 3 PLACES ± --- ± --- | 2 PLACES ± 0.20 ± --- | 1 PLACE ± --- ± --- | DRAWN BY KCLING | DATE 1994/04/08 | CHECKED BY SKTOH | DATE 1994/04/21 |
| | | ANGULAR ± 3 ° | | DRAFT WHERE APPLICABLE MUST REMAIN WITHIN DIMENSIONS | | SEE TABLE | MATERIAL NO. SD-87437-**-31 | DOCUMENT NO. SD-87437-**-31 | SHEET NO. 3 OF 4 |
| | | D7 | | INCORPORATED AND SHOULD NOT BE USED WITHOUT WRITTEN PERMISSION | | MOLEX INCORPORATED | | | |

EMBOSSED CARRIER TAPE PACKING DETAILS FOR PARTS WITH CAP



- NOTES:
- LEADER AND TRAILER TAPE
 - PEELING OFF FORCE OF THE TOP TAPE: 20-80gf. (PEELING DIRECTION AS SHOWN IN FOLLOWING FIGURE)
 - THE TAPE IS TREATED FOR ANTI-STATIC.
 - PACKAGING STANDARD IS AS PER EIA-481.
 - TAPE & REEL QUANTITY = 1000PCS/REEL (WITHOUT CAP)
TAPE & REEL QUANTITY = 900PCS/REEL (WITH CAP)



| | | | | | | |
|----------------|----|------------|-----|-------|-------|-----------|
| 15 | 44 | 20.20±0.15 | 100 | 44.40 | 50.40 | 2.00±0.15 |
| 11, 12, 13, 14 | 32 | 14.20±0.10 | 100 | 32.40 | 38.40 | 2.00±0.10 |
| 7, 8, 9, 10 | 24 | 11.50±0.10 | 100 | 24.40 | 30.40 | 2.00±0.10 |
| 2, 3, 4, 5, 6 | 16 | 7.50±0.10 | 100 | 16.40 | 22.40 | 2.00±0.10 |
| CIRCUIT SIZE | W | F | N | G | T MAX | P |

| ADD MOST BAG NOTE EC NO. S2007-1049 DRW:SKANG CHK:KATSEE APPR:HLONG 2007/06/22 2007/06/22 2007/06/22 | QUALITY SYMBOLS ▽=0 ▽=0 | GENERAL TOLERANCES (UNLESS SPECIFIED) | DIMENSION STYLE | SCALE | DESIGN UNITS | THIRD ANGLE PROJECTION | | | | | | | | | | | | | | | |
|---|----------------------------------|--|---|--------------------|--------------|---------------------------|--------------------------------|---------------------|------|----------|------|------|----------|-------|------|---------|------|------|---------|-----|--------|
| | | <table border="1"> <tr> <th></th> <th>mm</th> <th>INCH</th> </tr> <tr> <td>4 PLACES</td> <td>±---</td> <td>±---</td> </tr> <tr> <td>3 PLACES</td> <td>±---</td> <td>±---</td> </tr> <tr> <td>2 PLACES</td> <td>±0.20</td> <td>±---</td> </tr> <tr> <td>1 PLACE</td> <td>±---</td> <td>±---</td> </tr> </table> | | mm | INCH | | 4 PLACES | ±--- | ±--- | 3 PLACES | ±--- | ±--- | 2 PLACES | ±0.20 | ±--- | 1 PLACE | ±--- | ±--- | MM ONLY | NTS | METRIC |
| | | | mm | INCH | | | | | | | | | | | | | | | | | |
| | | 4 PLACES | ±--- | ±--- | | | | | | | | | | | | | | | | | |
| 3 PLACES | ±--- | ±--- | | | | | | | | | | | | | | | | | | | |
| 2 PLACES | ±0.20 | ±--- | | | | | | | | | | | | | | | | | | | |
| 1 PLACE | ±--- | ±--- | | | | | | | | | | | | | | | | | | | |
| DRAFT WHERE APPLICABLE MUST REMAIN WITHIN DIMENSIONS | DRAWN BY KCLING 1994/04/08 | DATE 1994/04/08 | TITLE 1.50MM PITCH, W-T-B HEADER, VERTICAL, SMT | | | | | | | | | | | | | | | | | | |
| D7 | REV | APPROVED BY RWONG 1994/04/21 | DATE 1994/04/21 | MOLEX INCORPORATED | | MATERIAL NO. SEE TABLE | DOCUMENT NO. SD-87437-**-31 | SHEET NO. 4 OF 4 | | | | | | | | | | | | | |