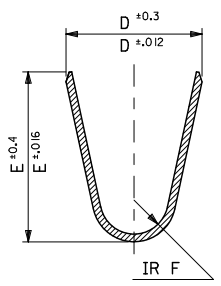
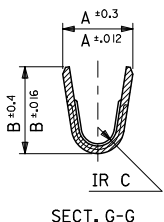
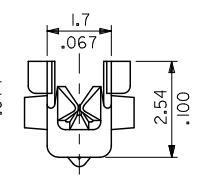
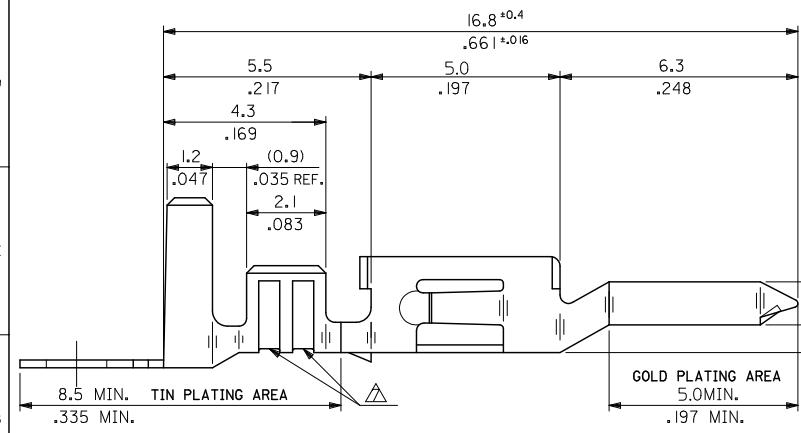
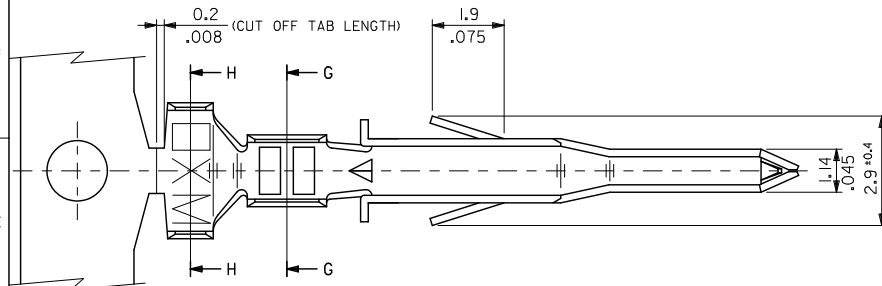


10 9 8 7 6 5 4 3 2 1

NOTES

1. MATERIAL: SEE CHART
2. FINISH: SEE CHART
3. PRODUCT SPECIFICATION: PS-5556-001, PS-5556-002, PS-5556-003.
4. PACKAGING SPECIFICATION: PK-5558-001 FOR CHAIN
PK-5556-003 FOR LOOSE
5. MATES WITH TERMINAL: 5556 SERIES.
6. APPLICABLE HOUSING: 5559, 30068, 42475 SERIES.
7. THE NUMBER OF SERRATIONS TO BE ONE FOR WIRE RANGE #22-28.
8. WHEN TERMINALS ARE INSTALLED IN THE HOUSING THE WIRES ARE TO BE DRESSED IN SUCH A MANNER TO ALLOW THE TERMINALS TO FLOAT FREELY IN THE POCKET.
9. THIS TERMINAL IS DESIGNED FOR SINGLE WIRE CRIMPING.
10. PART CONFORMS TO CLASS "B" REQUIREMENTS OF COSMETIC SPECIFICATION PS-45499-002.



UPDATE NOTES EC NO: UCP2010-2478 DRWN: JAGUILAR 2010/04/06 CHKD: IRELL '92/05/21 APPR: FSMITH 2010/04/09	QUALITY SYMBOLS	GENERAL TOLERANCES (UNLESS SPECIFIED)	DIMENSION STYLE	SCALE	DESIGN UNITS	THIRD ANGLE PROJECTION
	$\nabla=0$ $\nabla=0$ $\nabla=0$	mm INCH 4 PLACES ± -- ± -- 3 PLACES ± -- ± .008 2 PLACES ± 0.20 ± .008 1 PLACE ± 0.2 ± --- ANGULAR ± 3 °	MM/IN	10:1	METRIC	☉ □ THIRD ANGLE PROJECTION
	DRAFT WHERE APPLICABLE MUST REMAIN WITHIN DIMENSIONS	SEE CHART	MATERIAL NO.	DOCUMENT NO.	SHEET NO.	
					1 OF 2	

DRAWN BY H. HIRAMOTO DATE '91/03/13 CHECKED BY M. FUKUSHIMA DATE '92/05/21 APPROVED BY FSMITH DATE 2010/04/09		TITLE MINI-FIT JR SELECT GOLD MALE CRIMP TERMINAL -LEAD FREE-	
MOLEX INCORPORATED		MOLEX INCORPORATED	
SD-5558-002		SD-5558-002	
THIS DRAWING CONTAINS INFORMATION THAT IS PROPRIETARY TO MOLEX INCORPORATED AND SHOULD NOT BE USED WITHOUT WRITTEN PERMISSION		THIS DRAWING CONTAINS INFORMATION THAT IS PROPRIETARY TO MOLEX INCORPORATED AND SHOULD NOT BE USED WITHOUT WRITTEN PERMISSION	

ib_frame_B_P_ME_T
Rev. F 2009/06/18

9 8 7 6 5 4 3 2 1

10 9 8 7 6 5 4 3 2 1

MATERIAL	FINISH	F	E	D	C	B	A	INS. RANGE	WIRE RANGE	EDP NO.	ENG NO.	FORM	
PHOSPHOR BRONZE	SELECTIVE GOLD 0.76µm /30m.i. MIN. AND SELECTIVE TIN 2.03µm /80m.i. MIN. OVER NICKEL 1.27µm /50m.i. MIN.	0.9	4.5	3.6	0.6	2.7	2.3	∅ 3.1	#16	39-00-0224	5558 PBGS3L	LOOSE CHAIN	
		.035	.177	.142	.024	.106	.091	.122 MAX.		↑ -0223	↑ PBGS3	CHAIN	
		0.6	2.3	2.3	0.4	1.65	1.8	∅ 0.9-1.8	#22-28	-0222	PBGS2L	LOOSE CHAIN	
		.024	.091	.091	.016	.065	.071	.035-.071		-0221	PBGS2	CHAIN	
		0.9	4.5	3.6	0.5	2.3	1.9	∅ 1.3-3.1	#18-24	-0220	PBGS1	LOOSE CHAIN	
		.035	.177	.142	.020	.091	.075	.051-.122		-0219	PBGS	CHAIN	
	BRASS	SELECTIVE GOLD 1.27µm /50m.i. MIN. AND SELECTIVE TIN 2.54µm /100m.i. MIN. OVER NICKEL 1.27µm /50m.i. MIN.	0.9	4.5	3.6	0.6	2.7	2.3	∅ 3.1	#16	39-00-0145	GS8	CHAIN
			.035	.177	.142	.024	.106	.091	.122 MAX.		↓ -0146	GS9	CHAIN
			0.6	2.3	2.3	0.4	1.65	1.8	∅ 0.9-1.8	#22-28	39-00-0145	GS8	CHAIN
			.024	.091	.091	.016	.065	.071	.035-.071		40-13-0854	GS7L	LOOSE CHAIN
			0.9	4.5	3.6	0.5	2.3	1.9	∅ 1.3-3.1	#18-24	40-13-0853	GS7	CHAIN
			.035	.177	.142	.020	.091	.075	.051-.122		39-00-0100	GS6L	LOOSE CHAIN
SELECTIVE GOLD 0.38µm /15m.i. MIN. AND SELECTIVE TIN 2.03µm /80m.i. MIN. OVER NICKEL 1.27µm /50m.i. MIN.		0.9	4.5	3.6	0.6	2.7	2.3	∅ 3.1	#16	39-00-0100	GS6L	LOOSE CHAIN	
		.035	.177	.142	.024	.106	.091	.122 MAX.		↑ -0099	GS6	CHAIN	
		0.6	2.3	2.3	0.4	1.65	1.8	∅ 0.9-1.8	#22-28	-0098	GS5L	LOOSE CHAIN	
		.024	.091	.091	.016	.065	.071	.035-.071		-0097	GS5	CHAIN	
		0.9	4.5	3.6	0.5	2.3	1.9	∅ 1.3-3.1	#18-24	-0076	GS4L	LOOSE CHAIN	
		.035	.177	.142	.020	.091	.075	.051-.122		-0075	GS4	CHAIN	
SELECTIVE GOLD 0.76µm /30m.i. MIN. AND SELECTIVE TIN 2.03µm /80m.i. MIN. OVER NICKEL 1.27µm /50m.i. MIN.	0.9	4.5	3.6	0.6	2.7	2.3	∅ 3.1	#16	-0096	GS3L	LOOSE CHAIN		
	.035	.177	.142	.024	.106	.091	.122 MAX.		-0095	GS3	CHAIN		
	0.6	2.3	2.3	0.4	1.65	1.8	∅ 0.9-1.8	#22-28	-0433	GS2L7F	LOOSE CHAIN		
	.024	.091	.091	.016	.065	.071	.035-.071		-0432	GS27F	CHAIN		
	0.9	4.5	3.6	0.5	2.3	1.9	∅ 1.3-3.1	#18-24	↓ -0431	↓ GSL7F	LOOSE CHAIN		
	.035	.177	.142	.020	.091	.075	.051-.122		39-00-0430	5558 GS7F	CHAIN		

UPDATE TITLE BLOCK EC NO: UCP2010-2478 DRWN: JAGUILAR 2010/04/06 CHKD: IRELL 02/05/21 APPR: FSMITH 2010/04/09	QUALITY SYMBOLS ∇=0 ∇=0 ∇=0	GENERAL TOLERANCES (UNLESS SPECIFIED) mm INCH 4 PLACES ± -- ± --- 3 PLACES ± -- ± .008 2 PLACES ± 0.20 ± .008 1 PLACE ± 0.2 ± --- ANGULAR ± 3 °		DIMENSION STYLE MM/IN	SCALE 10:1	DESIGN UNITS METRIC	<input checked="" type="checkbox"/> THIRD ANGLE PROJECTION
		DRAWN BY H.HIRAMOTO DATE '91/03/13 CHECKED BY M.FUKUSHIMA DATE '92/05/21 APPROVED BY FSMITH DATE 2010/04/09	TITLE MINI-FIT JR SELECT GOLD MALE CRIMP TERMINAL -LEAD FREE-				
		MATERIAL NO. DOCUMENT NO.	MOLEX INCORPORATED				
		DRAFT WHERE APPLICABLE MUST REMAIN WITHIN DIMENSIONS	SEE CHART	SD-5558-002	SHEET NO. 2 OF 2		

9 8 7 6 5 4 3 2 1