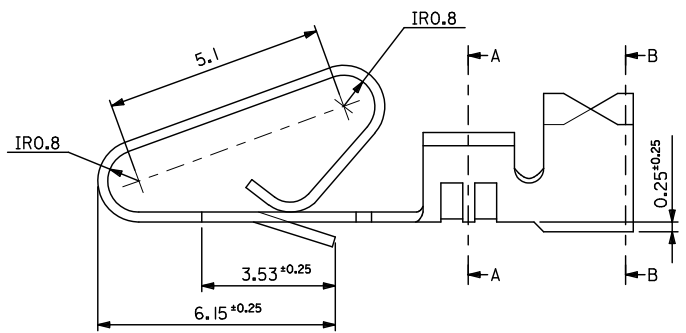
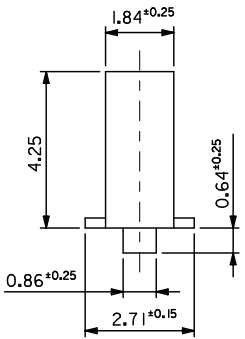
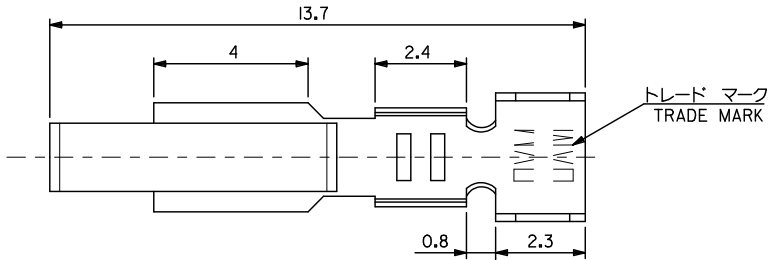
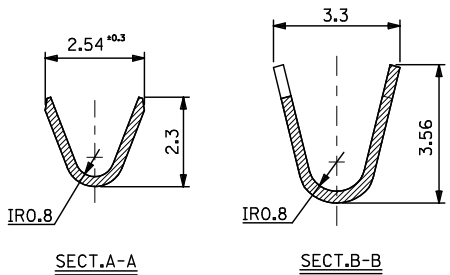


10 9 8 7 6 5 4 3 2 1



注記 NOTES :
 1. 一般公差: ±0.4
 GENERAL TOLERANCES: ±0.4

OVERALL TIN 0.88μmin	39000342	2478TL	LOOSE
OVERALL COPPER 0.54μmin	39000286	2478T	CHAIN
ニッケル下地 2 μmMIN.	39-00-0344	2478GL	バラ状 LOOSE
金 0.35 μmMIN.	39-00-0343	2478G	チェーン状 CHAIN
GOLD 0.35 μmMIN. OVER			
NICKEL 2 μmMIN.			
メッキ PLATING	EDP NO.	ENG.NO.	形状 FORM

MATERIAL
 BRASS t = 0.254

ENTER DESCRIPTION	2010/06/23	QUALITY SYMBOLS	GENERAL TOLERANCES (UNLESS SPECIFIED)	DIMENSION STYLE	SCALE	DESIGN UNITS	THIRD ANGLE PROJECTION
EC NO: I2010-0695	DRWNS01	▽=0	mm INCH	MM ONLY	10:1	METRIC	
2010/06/23	CHKD:HIRAMOT	▽=0	4 PLACES ± 0.2 ± ---	DRAWN BY	DATE	TITLE	
1996/01/30	APPR:KPRASAD		3 PLACES ± 0.25 ± ---	HASEGAW	1993/04/23	STD KK CRIMP REC	
2010/07/28			2 PLACES ± 0.3 ± ---	CHECKED BY	DATE		
			1 PLACE ± 0.01 ± ---	HIRAMOT	1996/01/30		
			ANGULAR ± 3°	APPROVED BY	DATE		
				MFUKUSHI	1996/01/30		
				MATERIAL NO.			
				SEE CHART			
				SIZE			
				A3			

DRAFT WHERE APPLICABLE MUST REMAIN WITHIN DIMENSIONS

MATERIAL NO.	DOCUMENT NO.	SHEET NO.
SEE CHART	SD-2478*	1 OF 1

MOLEX INCORPORATED

9 8 7 6 5 4 3 2 1