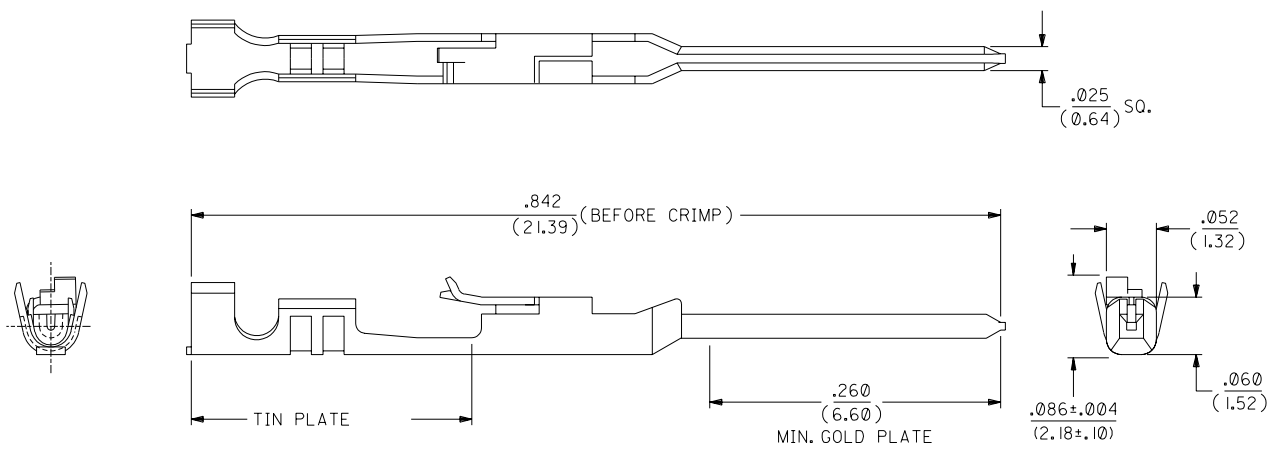


10 9 8 7 6 50021 4 3 2 70021



G	LEAD FREE UCP2004-1769 RWHITE 04/03/12
FI	REVISED ECR #U80270 MCGRATH 97/07/31
F	REVISED PLTG. SPEC. PER ECR # U31149 08/17/93 REED
E	REVISED PER ECR # U82220 11-07-88 MJM/MGB
D	REDRAWN ON CAD PER E.C.M. #9509 11/10/86 WJF/MJM

NOTES:

1. TERMINAL FOR USE WITH HOUSING PART NO. 70066-**** & 70107-****.
2. MATERIAL: .008/(0.20) THK. PHOSPHOR BRONZE.
3. TERMINAL TO BE USED WITH 24-30 AWG STRANDED WIRE WITH .060 DIA. MAX. INSULATION.
4. REFER TO MOLEX OPERATIONAL AND SERVICE MANUAL FOR DETAILS.
5. REFER TO PRODUCT SPECIFICATION NO. PS-70021.
6. PARTS SUPPLIED IN REEL FORM.

PLATING:

30 GOLD - .000030 MIN. GOLD PLATE IN SELECT AREA,
.000075 MIN. TIN PLATE IN SELECT AREA,
OVER .000050 MIN. NICKEL PLATE OVERALL.

*THE PRIMARY SHIPPING CARTON WILL BE LABELED "COMPLIANT TO RoHS DIRECTIVE 2002/95/EC AND ELV ANNEX II OF DIRECTIVE 2000/53/EC". CARTONS WITHOUT THIS LABEL MAY CONTAIN PRODUCT WITH LEAD.

MFG.	SH.	REV.	LTR.	REVISIONS
				REVISE ONLY ON CAD SYSTEM

DIMENSIONS SHOWN (METRIC) INCH UNLESS OTHERWISE SPECIFIED TOLERANCES: ANGULAR ± 1/2°		TITLE TERMINAL, MALE CRIMP																			
<table border="1"> <tr> <th></th> <th>INCH</th> <th>METRIC</th> </tr> <tr> <td>3 PLACE</td> <td>± .010</td> <td>---</td> </tr> <tr> <td>2 PLACE</td> <td>± .015</td> <td>± 0.25</td> </tr> <tr> <td>1 PLACE</td> <td>---</td> <td>± 0.35</td> </tr> </table>			INCH	METRIC	3 PLACE	± .010	---	2 PLACE	± .015	± 0.25	1 PLACE	---	± 0.35	<table border="1"> <tr> <td>MOLEX INCORPORATED</td> <td>SHEET NO. 1</td> <td>DATE 10/30/86</td> </tr> <tr> <td>LISLE, ILL. 60532 U.S.A.</td> <td></td> <td></td> </tr> </table>		MOLEX INCORPORATED	SHEET NO. 1	DATE 10/30/86	LISLE, ILL. 60532 U.S.A.		
	INCH	METRIC																			
3 PLACE	± .010	---																			
2 PLACE	± .015	± 0.25																			
1 PLACE	---	± 0.35																			
MOLEX INCORPORATED	SHEET NO. 1	DATE 10/30/86																			
LISLE, ILL. 60532 U.S.A.																					
DRAFT WHERE APPLICABLE MUST REMAIN WITHIN DIMENSIONS		PART NO. 16-02-0078 SD-70021-0008																			
DRWG. BY: WJF	CHK'D. BY: MJM	FILE NAME: S70021X7.DGN	THIS DRAWING CONTAINS INFORMATION THAT IS PROPRIETARY TO MOLEX INC. AND SHOULD NOT BE USED WITHOUT WRITTEN PERMISSION.																		
APP'D. BY: WAZ	SCALE: 10:1	DRWG. NO. 16-02-0078	DIV. DA																		

10 9 8 7 6 5 4 3 2 1