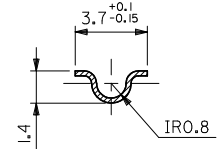
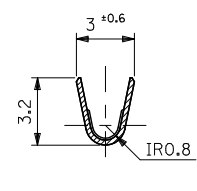
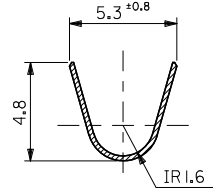
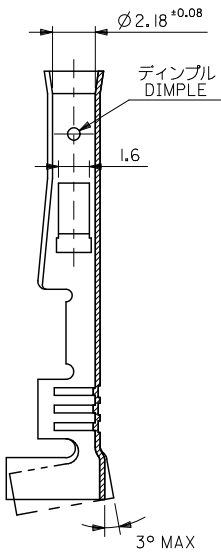
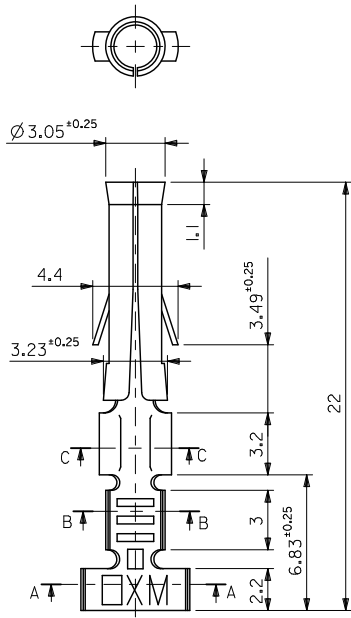


10 9 8 7 6 5 4 3 2 1



ニッケル (2 μm MIN.) 下地 金 (0.35 μm MIN.) GOLD (0.35 μm MIN.) OVER NICKEL (2 μm MIN.)	無 NO	39-00-0295	1189AGL	バラ端子 LOOSE
	有 YES	39-00-0294	1189GL	連鎖端子 CHAIN
銅 (0.5 μm MIN.) 下地 錫 (0.9 μm MIN.) TIN (0.9 μm MIN.) OVER COPPER (0.5 μm MIN.)	無 NO	39-00-0289	1189ATL	バラ端子 LOOSE
	有 YES	39-00-0288	1189TL	連鎖端子 CHAIN
メッキ PLATING	デインプル有無 WITH DIMPLE	EDP.NO.	ENG.NO.	形状 FORM

注記 NOTES:

- 1. 一般公差 : ±0.4
GENERAL TOLERANCES : ±0.4

材料 MATERIAL	黄銅 BRASS	0.264t
適用電線範囲 WIRE RANGE	AWG #14-#20	
被覆外径 INS. RANGE	∅ 1.6 ~ 4.1	

REVISED EC NO: J2010-2186 DRWRTS: SUKUDA 2010/05/17 CHKD: THARYAMA 2010/05/17 APPR: HIRATA 2010/05/21	DESCRIPTION	GENERAL TOLERANCES (UNLESS SPECIFIED)	DIMENSION STYLE MM ONLY	SCALE 5:1	DESIGN UNITS METRIC	THIRD ANGLE PROJECTION
	10 UNDER	±---	DRAWN BY HHASEGAWA	DATE 1993/07/06	TITLE .093 DIA.FEMALE TERM.	
	10 OVER 30 UNDER	±---	CHECKED BY HHIRAMOTO	DATE 1993/07/06	MOLEX INCORPORATED	
	30 OVER	±---	APPROVED BY MFUKUSHIMA	DATE 1993/07/06	DOCUMENT NO. SD-1189-002	SHEET NO. 1 OF 1
ANGULAR ±--- °		DRAFT WHERE APPLICABLE MUST REMAIN WITHIN DIMENSIONS	MATERIAL NO. SEE TABLE	THIS DRAWING CONTAINS INFORMATION THAT IS PROPRIETARY TO MOLEX INCORPORATED AND SHOULD NOT BE USED WITHOUT WRITTEN PERMISSION		