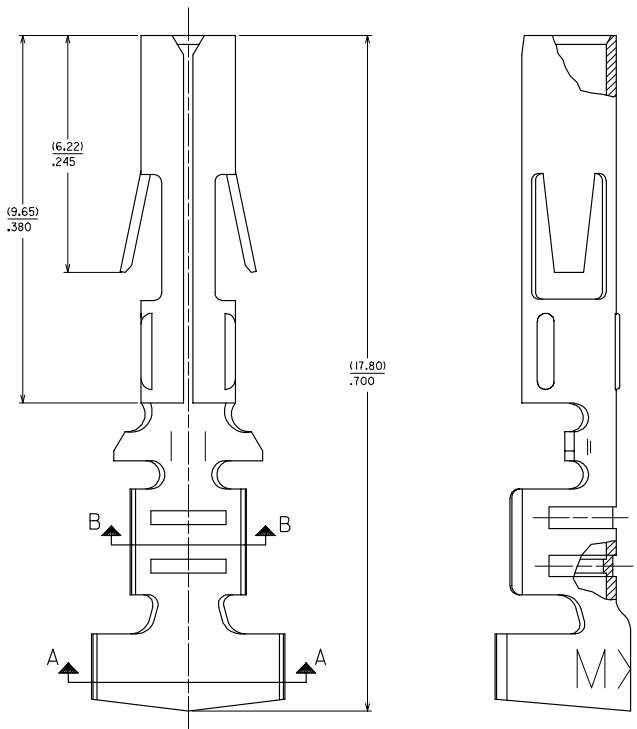
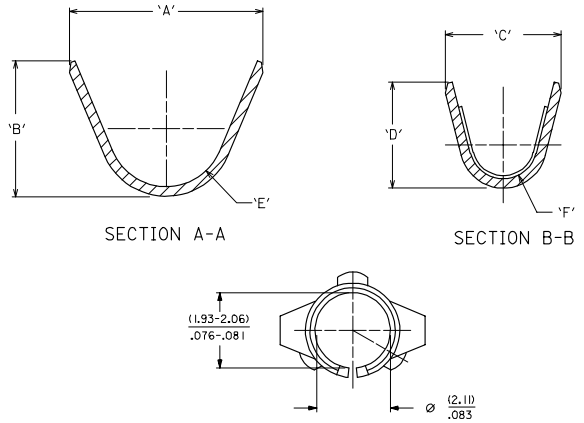


EDP NO.	ENG NO.	FORM	'A'	'B'	'C'	'D'	'E'	'F'
02-08-1201	8980-3C	CHAIN,14-20 AWG WIRE	(4,44)	(3,39)	(3,02)	(3,61)	(1,23)	(0,61)
02-08-1202	8980-3L	LOOSE,14-20 AWG WIRE	.175	.133	.119	.142	.048	.024



NOTES:
 1. FINISH: (.00089)/.000035 MN. TIN OVER
 (.00051)/.000020 MN COPPER (COPPER PLATE REFLOWED)
 2. MATERIAL: (.025)/.010 THK PHOS
 BRONZE, ALLOY CA 51000.



OBS060702 EC NO. S2007-0797 DRAWING: MEMARLY 2007/03/30 CHKD: SKANG 2007/04/03 APPR: HLONG 2007/04/03	QUALITY SYMBOLS	GENERAL TOLERANCES (UNLESS SPECIFIED)	DIMENSION STYLE	SCALE	DESIGN UNITS	THIRD ANGLE PROJECTION																																									
	$\nabla=0$ $\nabla=0$	<table border="1"> <thead> <tr> <th></th> <th>mm</th> <th>INCH</th> </tr> </thead> <tbody> <tr> <td>4 PLACES</td> <td>± ---</td> <td>± ---</td> </tr> <tr> <td>3 PLACES</td> <td>± ---</td> <td>± .010</td> </tr> <tr> <td>2 PLACES</td> <td>± 0.25</td> <td>± ---</td> </tr> <tr> <td>1 PLACE</td> <td>± ---</td> <td>± ---</td> </tr> <tr> <td colspan="3">ANGULAR ± 1 °</td> </tr> </tbody> </table>		mm	INCH	4 PLACES	± ---	± ---	3 PLACES	± ---	± .010	2 PLACES	± 0.25	± ---	1 PLACE	± ---	± ---	ANGULAR ± 1 °			<table border="1"> <thead> <tr> <th>MM/IN</th> <th>DRAWN BY</th> <th>DATE</th> </tr> </thead> <tbody> <tr> <td></td> <td>TAY</td> <td>1987/12/15</td> </tr> <tr> <td></td> <td>CHECKED BY</td> <td>DATE</td> </tr> <tr> <td></td> <td>AT</td> <td>1987/12/15</td> </tr> <tr> <td></td> <td>APPROVED BY</td> <td>DATE</td> </tr> <tr> <td></td> <td>AB</td> <td>1987/12/15</td> </tr> </tbody> </table>	MM/IN	DRAWN BY	DATE		TAY	1987/12/15		CHECKED BY	DATE		AT	1987/12/15		APPROVED BY	DATE		AB	1987/12/15	<table border="1"> <thead> <tr> <th>NTS</th> <th>METRIC</th> </tr> </thead> <tbody> <tr> <td></td> <td></td> </tr> </tbody> </table>	NTS	METRIC			<table border="1"> <thead> <tr> <th>TITLE</th> </tr> </thead> <tbody> <tr> <td>TERMINAL SOCKET DIA. (2.096)/.0825</td> </tr> </tbody> </table>	TITLE	TERMINAL SOCKET DIA. (2.096)/.0825
		mm	INCH																																												
	4 PLACES	± ---	± ---																																												
3 PLACES	± ---	± .010																																													
2 PLACES	± 0.25	± ---																																													
1 PLACE	± ---	± ---																																													
ANGULAR ± 1 °																																															
MM/IN	DRAWN BY	DATE																																													
	TAY	1987/12/15																																													
	CHECKED BY	DATE																																													
	AT	1987/12/15																																													
	APPROVED BY	DATE																																													
	AB	1987/12/15																																													
NTS	METRIC																																														
TITLE																																															
TERMINAL SOCKET DIA. (2.096)/.0825																																															
DESCRIPTION	DRAFT WHERE APPLICABLE MUST REMAIN WITHIN DIMENSIONS	SEE TABLE	MATERIAL NO.	DOCUMENT NO.	SHEET NO.																																										
REV																																															