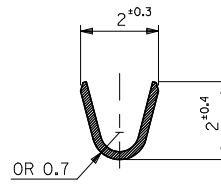
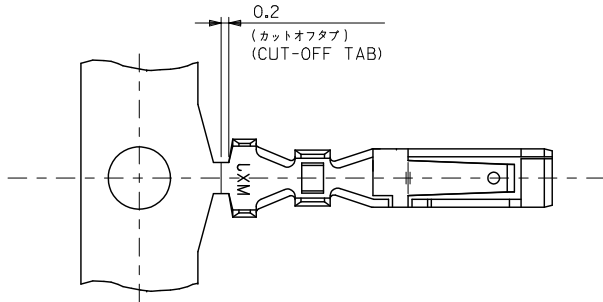
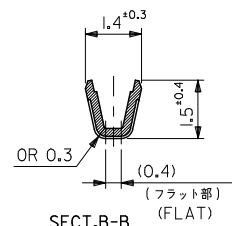


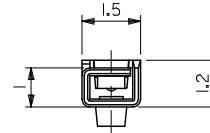
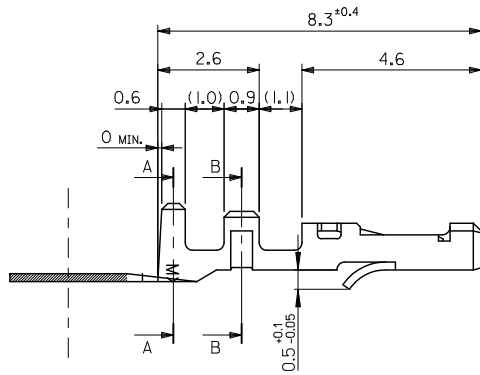
CONFIDENTIAL



SECT.A-A



SECT.B-B



注記
NOTES

- 適合ハウジング : 51005
APPLICABLE HOUSING : 51005
- 嵌合相手 : 50012
MATE WITH : 50012
- ELV 及び RoHS適合品
ELV AND RoHS COMPLIANT.

50013-8100	バラ状 LOOSE
50013-8000	連鎖状 CHAIN
MODEL NO.	MATERIAL NO. 端子形状 FORM

材料 MATERIAL	リン青銅 錫メッキ (t=0.2) PHOS. BRO. PRE-TINNED (t=0.2)
仕上げ FINISH	—
適用電線範囲 WIRE RANGE	AWG#24 ~ #28
被覆外径 INS. RANGE	φ0.9 ~ φ1.15

REVISED	DESCRIPTION	GENERAL TOLERANCES (UNLESS SPECIFIED)
EC NO: J2010-0035	DRWN:TKAGAWA01 2009/07/06	10 UNDER ±0.2
DRWN:TKAGAWA01 2009/07/06	CHK:CHMATSUJOTO 2009/07/06	10 OVER 30 UNDER ±0.25
CHK:CHMATSUJOTO 2009/07/06	APPR:NIKIITA 2009/07/06	30 OVER ±0.3
APPR:NIKIITA 2009/07/06		ANGULAR ±3 °
		DRAFT WHERE APPLICABLE MUST REMAIN WITHIN DIMENSIONS

DIMENSION STYLE MM ONLY		SCALE 10:1	DESIGN UNITS METRIC	THIRD ANGLE PROJECTION
DRAWN BY T. YASUI	DATE '95/08/21	TITLE 2.0 WIRE TO WIRE CONN. CRIMP REC.		
CHECKED BY H. HIRAMOTO	DATE '95/08/22	MOLEX INCORPORATED		
APPROVED BY M. FUKUSHIMA	DATE '95/08/22	DOCUMENT NO. SD-50013-001		
MATERIAL NO.	SEE TABLE	SHEET NO. 1 OF 1		

THIS DRAWING CONTAINS INFORMATION THAT IS PROPRIETARY TO MOLEX INCORPORATED AND SHOULD NOT BE USED WITHOUT WRITTEN PERMISSION	
--	--