

10 9 8 7 6 5 4 3 2 1

F F

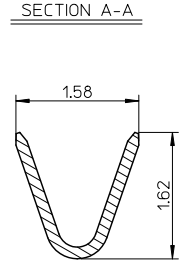
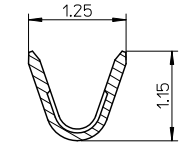
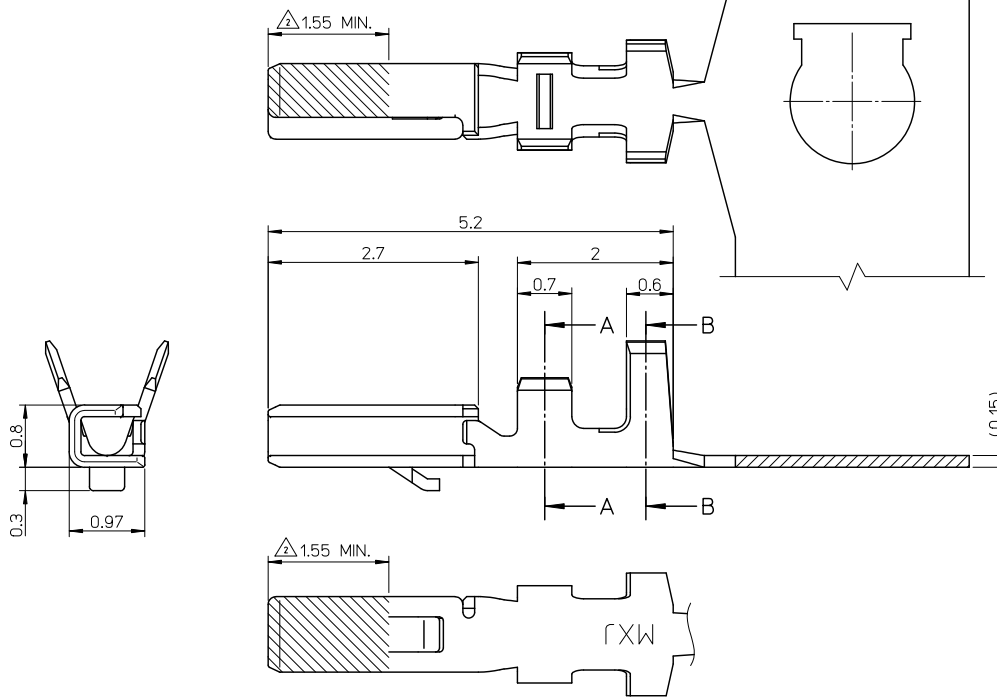
E E

D D

C C

B B

A A



NOTES
 1. 適合ハウジング: 502380-****
 APPLICABLE HOUSING: 502380-****
 図示の斜線部の範囲は、接点部のため、
 傷、打痕、汚れなどを付けないようにして下さい。
 PLEASE DON'T DAMAGE, DON'T DENT,
 AND DON'T MAKE IT DIRTY.
 BECAUSE THE RANGE IN THE SHADED PORTION
 SHOWN IN FIGURE IS THE CONTACT AREA.

φ0.78-1.07mm	AWG#26-28	502381-0000	連鎖状 CHAIN
絶縁被覆外径範囲 INS. RANGE	通用電線範囲 WIRE RANGE	製品番号 MATERIAL NO.	端子形状 FORM

REVISED EC NO: J2010-2153 DRAWN BY: IDRWNYGOTO 2010/04/27 CHKD: ASAKAWA 2010/04/29 APPR: NIKITA 2010/05/12	GENERAL TOLERANCES (UNLESS SPECIFIED)		DIMENSION STYLE MM ONLY		SCALE 20:1	DESIGN UNITS METRIC	THIRD ANGLE PROJECTION
	10 UNDER	±0.2	DRAWN BY	DATE	TITLE		
	10 OVER 30 UNDER	±0.25	T. MIYAZAKI	2006/08/28	1.25 W/B CONN. SINGLE PLUG TERMINAL -LEAD FREE-		
	30 OVER	±0.3	K. ASAKAWA	2006/08/28	MOLEX INCORPORATED		
	ANGULAR ±3°	DRAFT WHERE APPLICABLE MUST REMAIN WITHIN DIMENSIONS	APPROVED BY	DATE	MATERIAL NO.	DOCUMENT NO.	SHEET NO.
			YO. ITO	2006/08/28	SEE TABLE	SD-502381-001	1 OF 1
			SIZE 3 THIS DRAWING CONTAINS INFORMATION THAT IS PROPRIETARY TO MOLEX INCORPORATED AND SHOULD NOT BE USED WITHOUT WRITTEN PERMISSION				

部品 PART	材質 MATERIAL
ターミナル TERMINAL	銅合金 COPPER ALLOY
	錫めっき: 0.4 micro-meter MIN. リフロー処理 (前めっき) REFLOW TREATMENT (PRE-PLATED)
	TIN
	ニッケルめっき (下地): 0.1 micro-meter MIN. リフロー処理 (前めっき) REFLOW TREATMENT (PRE-PLATED)
	NICKEL (UNDER PLATING)

ib_frame_A3_J_ME_S
Rev. E 2006/04/15

EN-02JA(021)