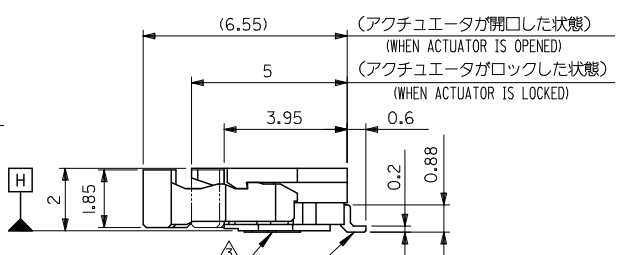
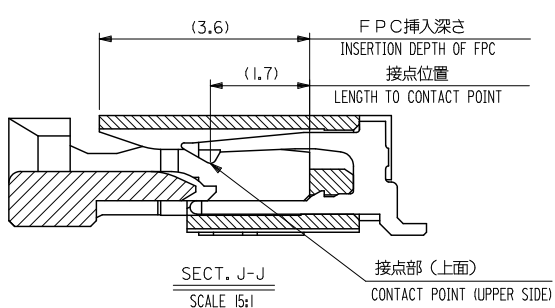
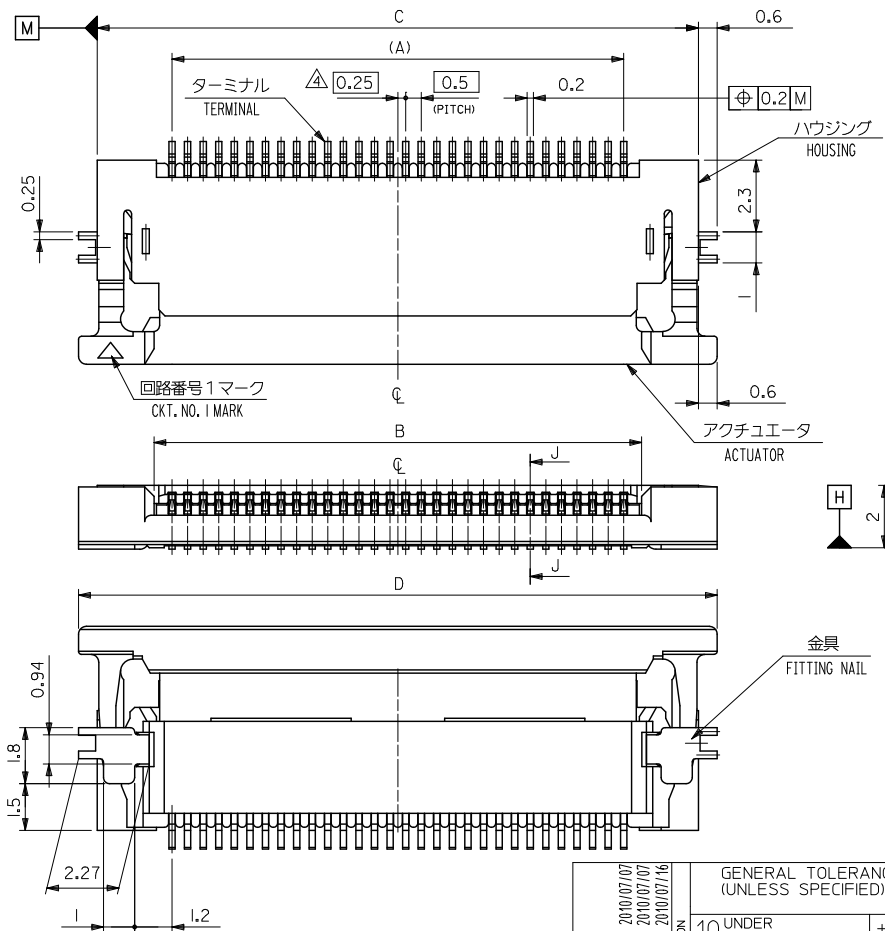


10 9 8 7 6 5 4 3 2 1

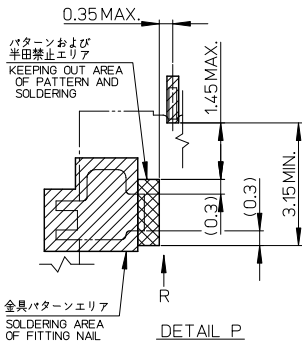
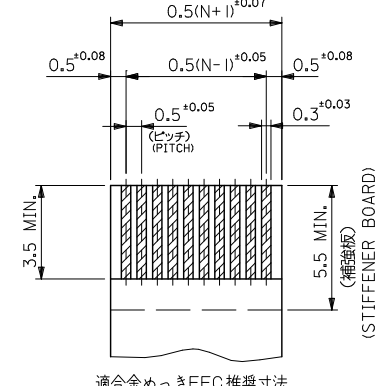
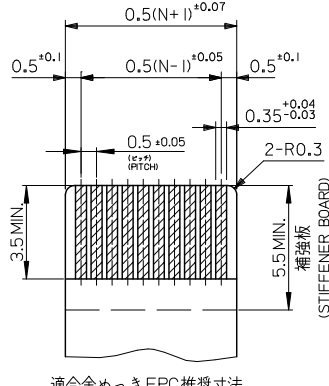
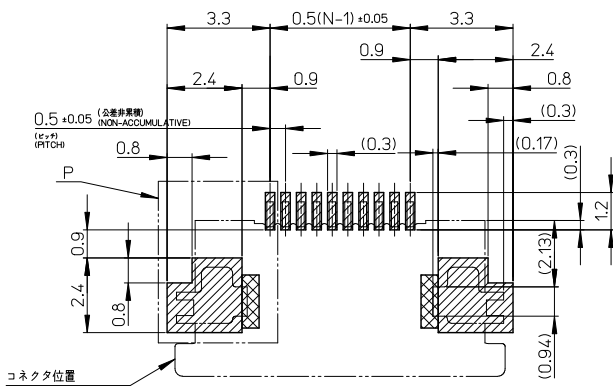


30.5	29.3	25.65	24.5	54104-5031	50
28.5	27.3	23.65	22.5	54104-4631	46
28.0	26.8	23.15	22.0	54104-4531	45
27.5	26.3	22.65	21.5	54104-4431	44
27.0	25.8	22.15	21.0	54104-4331	43
25.5	24.3	20.65	19.5	54104-4031	40
24.5	23.3	19.65	18.5	54104-3831	38
23.5	22.3	18.65	17.5	54104-3631	36
23.0	21.8	18.15	17.0	54104-3531	35
22.5	21.3	17.65	16.5	54104-3431	34
22.0	20.8	17.15	16.0	54104-3331	33
21.5	20.3	16.65	15.5	54104-3231	32
20.5	19.3	15.65	14.5	54104-3031	30
D	C	B	A	EMBOSSED PACKAGE ORDER NO. オーダー番号	CKT.

CONNECTOR SERIES NO. : 54104-***29

REVISED EEC NO: J2011-0041 2010/07/07 2010/07/07 2010/07/16 2010/07/16 CHYKOHJIJIMA CHYKOHJIJIMA APPR:KMOIRIKAWA 2010/07/16 DESCRIPTION 回路番号1マーク CKT. NO. 1 MARK アクチュエータ ACTUATOR 金具 FITTING NAIL	GENERAL TOLERANCES (UNLESS SPECIFIED)		DIMENSION STYLE	SCALE	DESIGN UNITS	THIRD ANGLE PROJECTION
	10 UNDER	±0.2	MM ONLY	---	METRIC	
	10 OVER 30 UNDER	±0.25				
	30 OVER	±0.3				
	ANGULAR ±3°					
DRAFT WHERE APPLICABLE MUST REMAIN WITHIN DIMENSIONS			MATERIAL NO.	DOCUMENT NO.		SHEET NO.
			SEE SHEET 2 OF 2	SD-54104-077		1 OF 2
			THIS DRAWING CONTAINS INFORMATION THAT IS PROPRIETARY TO MOLEX INCORPORATED AND SHOULD NOT BE USED WITHOUT WRITTEN PERMISSION			

10 9 8 7 6 5 4 3 2 1



(マウント面) (MOUNTING SIDE)

適合金めっきFPC推奨寸法
APPLICABLE FPC OF GOLD PLATING
RECOMMENDED DIMENSION
(仕上がり厚さ: 0.3±0.03)
(THICKNESS: 0.3±0.03)

適合金めっきFFC推奨寸法
APPLICABLE FFC OF GOLD PLATING
RECOMMENDED DIMENSION
(仕上がり厚さ: 0.3±0.03)
(THICKNESS: 0.3±0.03)

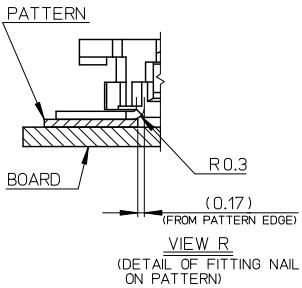
注記 NOTES

1. 使用材料 MATERIAL
ハウジング : 46ナイロン、ガラス充填、UL94V-0、白
HOUSING: PA46, GLASS FILLED, UL94V-0, WHITE
アクチュエータ : ポリフェニレンサルファイド (PPS)、ガラス充填、UL94V-0、黒
ACTUATOR: POLYPHENYLENE SULFIDE, GLASS FILLED, UL94V-0, BLACK
ターミナル : リン青銅 (1=0.2) 金メッキ コンタクト部 0.1 MICROMETER MINIMUM
ニッケル下地 0.05 MICROMETER MINIMUM
ニッケル下地 1.0 MICROMETER MINIMUM
TERMINAL PHOS-BRONZE GOLD-PLATING
CONTACT PORTION : 0.1 MICROMETER MINIMUM
TAIL PORTION : 0.05 MICROMETER MINIMUM
NICKEL PLATING : 1.0 MICROMETER MINIMUM
金具 : リン青銅 (1=0.2) 錫メッキ 1.0~3.0 MICROMETER MINIMUM
ニッケル下地 1.0~3.0 MICROMETER MINIMUM
FITTING NAIL : PHOS-BRONZE TIN-PLATING 1.0~3.0 MICROMETER MINIMUM
OVER NICKEL 1.0~3.0 MICROMETER MINIMUM
2. エンボーステープ機能時はアクチュエータがロックした状態とする。
IN THE PACKAGE, ACTUATOR OF PART NO.54104-M*29 SHOULD BE LOCKED.
ソルダータール半田付け面のスレ量、および金具半田付け面のスレ量は
△基準面 □に対し上方向 0.1MAXIMUM、下方向 0.15MAXIMUMとする。
MISALIGNMENT OF SOLDER TAILS AND FITTING NAILS FROM □
UPPER DIRECTION : 0.1MAXIMUM, LOWER DIRECTION : 0.15 MAXIMUM.

- △ 供数板に適用。 APPLY FOR EVEN CIRCUIT.
- △ パターンは（離止め金具、 FITTING NAIL FOR PREVENTION OF PEELING OF P.W.BOARD PATTERN.
- 6. ELV & RoHS適合品 ELV AND RoHS COMPLIANT

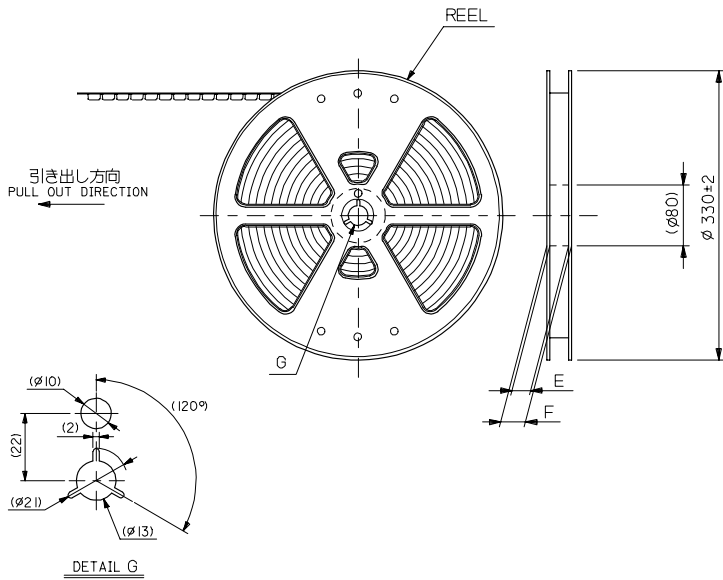
FPC/FFCについて：
打ち抜き方向は導体側から補強板側を推奨いたします。
導体部は 35MICROMETER または 50MICROMETER を推奨いたします。
RECOMMENDED PUNCHER DIRECTION FROM CONDUCTOR SIDE TO STIFFENER BOARD SIDE.
RECOMMENDED CONDUCTOR SPEC THICKNESS OF SOFT COPPER FOIL : 35MICROMETERS OR 50MICROMETERS

FPCについて：
補強フィルム材質はポリイミドを推奨いたします。
接着剤は熱硬化接着剤を推奨いたします。
RECOMMENDED MATERIAL STIFFENER FILM : POLYIMIDE BONDING AGENT : THERMOSETTING BONDING AGENT



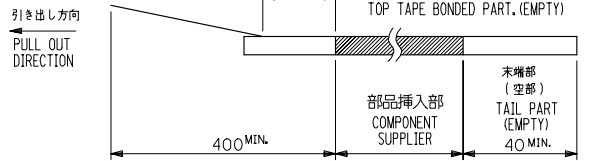
REVISION	DESCRIPTION	GENERAL TOLERANCES (UNLESS SPECIFIED)		DIMENSION STYLE	SCALE	DESIGN UNITS	THIRD ANGLE PROJECTION
		MM ONLY	DATE				
REVISED	2010/07/07	10 UNDER	± ---	DRAWN BY	---	METRIC	◎ ▯
EC NO: J2011-0041	DRWN:HIIJIMA	10 OVER 30 UNDER	± ---	DATE	'04/07/09		
	CHK:KHIJIMA	30 OVER	± ---	CHECKED BY	DATE	MOLEX INCORPORATED	DOCUMENT NO.
	APPR:KMORI/KAWA	ANGULAR	± --- °	APPROVED BY	'04/07/09		
		DRAFT WHERE APPLICABLE	MUST REMAIN WITHIN DIMENSIONS	MATERIAL NO.	SEE TABLE	2 OF 2	
				SIZE	THIS DRAWING CONTAINS INFORMATION THAT IS PROPRIETARY TO MOLEX INCORPORATED AND SHOULD NOT BE USED WITHOUT WRITTEN PERMISSION		

10 9 8 7 6 5 4 3 2 1



NOTES

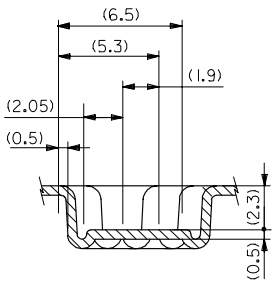
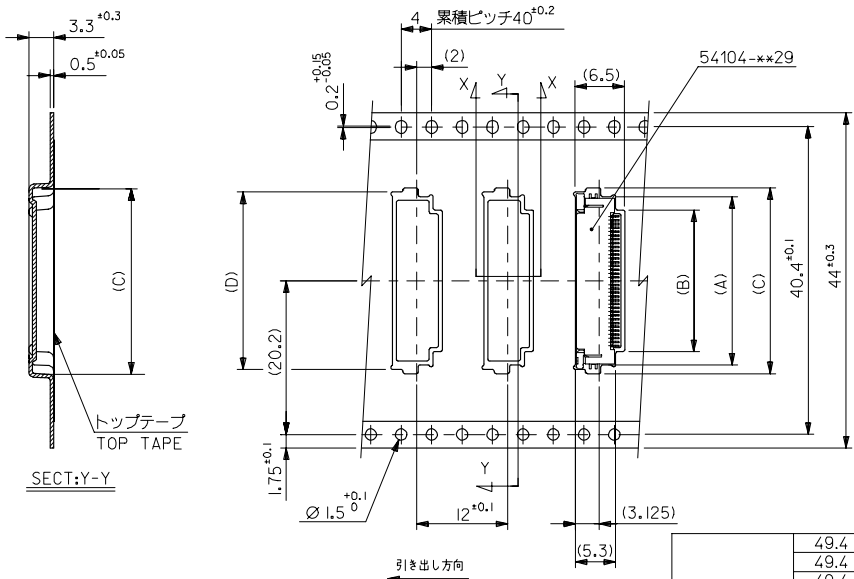
1. 梱包数量: 1500個/リール
NUMBER OF CONNECTORS: 1500PCS/REEL
2. リードテープ長さ LEAD TAPE LENGTH
20PCS. MIN. トップテープ接着部 (空エンボス)
TOP TAPE BONDED PART. (EMPTY)



3. 材料 (MATERIAL)
キャリアテープ (CARRIER TAPE): ポリプロピレン (POLYPROPYLENE)
トップテープ (TOP TAPE): PET, PE, PEF
リール (REEL): ポリスチレン (POLYSTYRENE)
4. 本製品は 54104-**-**96 のターミナル部分全メッキ品である。

REVISED EC NO.: J2007-2009 DRAWN: YAMADA01 2007/01/23 CHKD: KTOYODA 2007/01/25 APPR: NUKITA 2007/01/25	GENERAL TOLERANCES (UNLESS SPECIFIED)		DIMENSION STYLE MM ONLY		SCALE 2:1	DESIGN UNITS METRIC	THIRD ANGLE PROJECTION
	10 UNDER	±0.2	DRAWN BY MNABE I	DATE '04/07/09	TITLE EMBOSSED TAPE PACKAGE FOR 54104-**-**29 -LEAD FREE-		
	10 OVER 30 UNDER	±0.25	CHECKED BY KTOJO	DATE '04/07/09			
	30 OVER	±0.3	APPROVED BY NUKITA	DATE '04/07/09			
	ANGULAR	±3 °	MATERIAL NO.		DOCUMENT NO.	SHEET NO. 1 OF 2	
DRAFT WHERE APPLICABLE MUST REMAIN WITHIN DIMENSIONS		SEE CHART		SD-54104-078		MOLEX INCORPORATED	
		THIS DRAWING CONTAINS INFORMATION THAT IS PROPRIETARY TO MOLEX INCORPORATED AND SHOULD NOT BE USED WITHOUT WRITTEN PERMISSION					

10 9 8 7 6 5 4 3 2 1



44	49.4	45.4	30.8	31.9	26.1	29.6	54104-5031	50	
	49.4	45.4	28.8	29.9	24.1	27.6	54104-4631	46	
	49.4	45.4	28.3	29.4	23.6	27.1	54104-4531	45	
	49.4	45.4	27.8	28.9	23.1	26.6	54104-4431	44	
	49.4	45.4	27.3	28.4	22.6	26.1	54104-4331	43	
	49.4	45.4	25.8	26.9	21.1	24.6	54104-4031	40	
	49.4	45.4	24.8	25.9	20.1	23.6	54104-3831	38	
	49.4	45.4	23.8	24.9	19.1	22.6	54104-3631	36	
	49.4	45.4	23.3	24.4	18.6	22.1	54104-3531	35	
	49.4	45.4	22.8	23.9	18.1	21.6	54104-3431	34	
	49.4	45.4	22.3	23.4	17.6	21.1	54104-3331	33	
	49.4	45.4	21.8	22.9	17.1	20.6	54104-3231	32	
	49.4	45.4	20.8	21.9	16.1	19.6	54104-3031	30	
キャリアテープ幅 CARRIER TAPE WIDTH		F	E	D	C	B	A	MATERIAL NO.	CKT.

REVISED EC NO: J2007-2009 DRAWN: YAMADA 2007/01/23 CHKD: KYODA 2007/01/25 APPR: NUKITA 2007/01/25	GENERAL TOLERANCES (UNLESS SPECIFIED)		DIMENSION STYLE MM ONLY		SCALE 2:1	DESIGN UNITS METRIC	THIRD ANGLE PROJECTION	
	10 UNDER	± 0.2	DRAWN BY MNABE I	DATE '04/07/09	TITLE EMBOSSD TAPE PACKAGE FOR 54104-**29 -LEAD FREE-			
	10 OVER 30 UNDER	± 0.25	CHECKED BY KTOJO	DATE '04/07/09				
	30 OVER	± 0.3	APPROVED BY NUKITA	DATE '04/07/09	MOLEX INCORPORATED			
	ANGULAR	± 3 °	MATERIAL NO. SEE CHART					
DRAFT WHERE APPLICABLE MUST REMAIN WITHIN DIMENSIONS		SIZE A3	THIS DRAWING CONTAINS INFORMATION THAT IS PROPRIETARY TO MOLEX INCORPORATED AND SHOULD NOT BE USED WITHOUT WRITTEN PERMISSION					