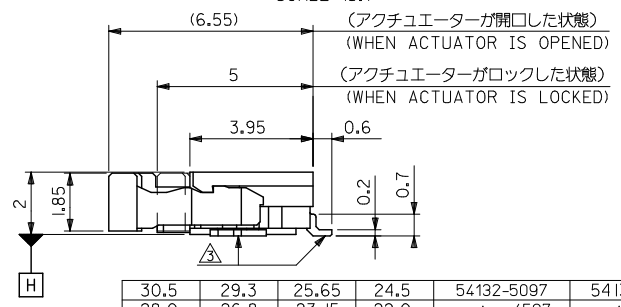
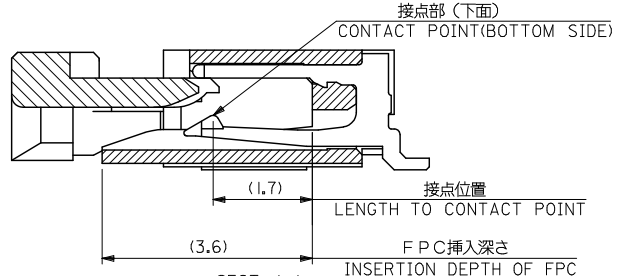
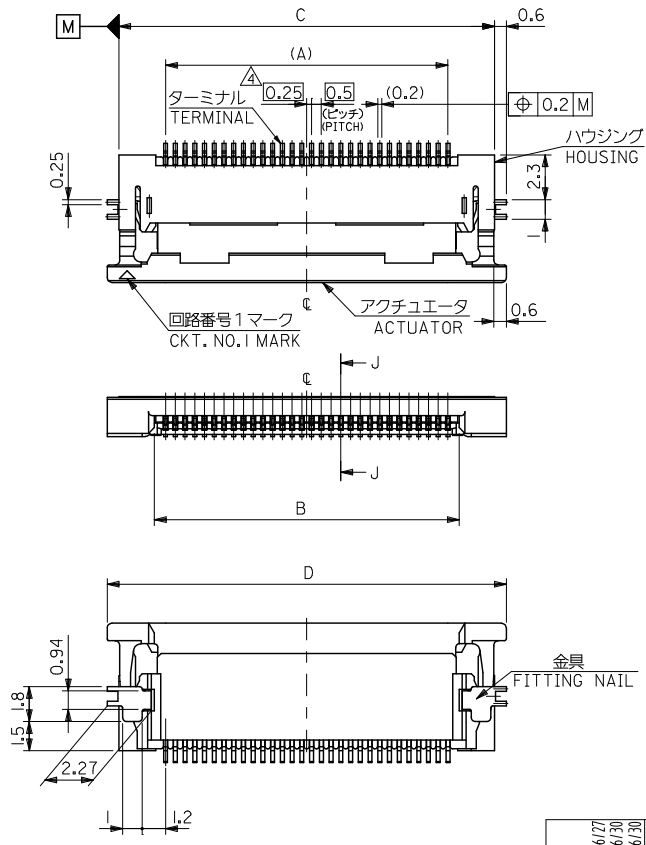


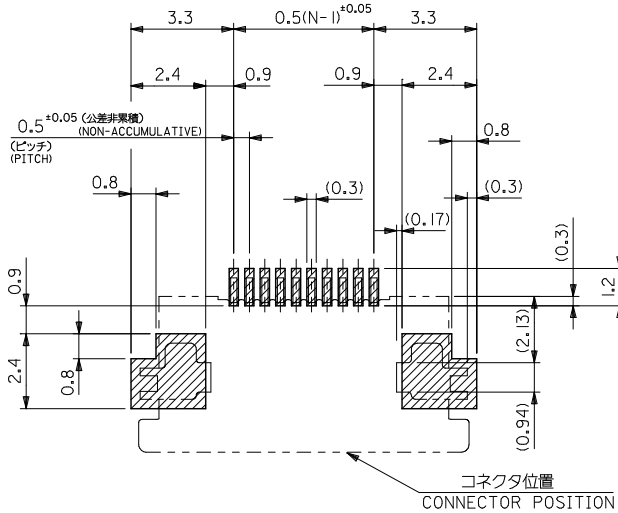
10 9 8 7 6 5 4 3 2 1



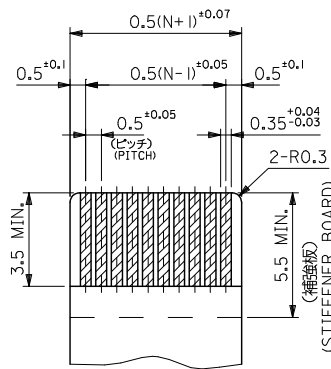
30.5	29.3	25.65	24.5	54132-5097	54132-5039	50
28.0	26.8	23.15	22.0	-4597	-4539	45
27.0	25.8	22.15	21.0	-4397	-4339	43
25.5	24.3	20.65	19.5	-4097	-4039	40
24.5	23.3	19.65	18.5	-3897	-3839	38
23.5	22.3	18.65	17.5	-3697	-3639	36
23.0	21.8	18.15	17.0	-3597	-3539	35
22.5	21.3	17.65	16.5	-3497	-3439	34
22.0	20.8	17.15	16.0	-3397	-3339	33
21.5	20.3	16.65	15.5	-3297	-3239	32
20.5	19.3	15.65	14.5	54132-3097	54132-3039	30
D	C	B	A	EMBOSSED TAPE		
				ORDER No. オ-ダ-番号	MATERIAL NO.	CKT.

REVISED E.C. NO: J2008-4308 DRAWN BY: M.NABEI 2008/06/27 CHECKED BY: CHYU:THARYAMA 2008/06/30 APPR: NIKITA 2008/06/30	GENERAL TOLERANCES (UNLESS SPECIFIED)		DIMENSION STYLE MM ONLY		SCALE ---	DESIGN UNITS METRIC	THIRD ANGLE PROJECTION
	10 UNDER	±0.2	DRAWN BY M. NABEI	DATE '03/12/15	TITLE 0.5 FPC CONN ZIF HOUSING ASSY FOR SMT -LEAD FREE-		
	10 OVER 30 UNDER	±0.25	CHECKED BY M. SASAO	DATE '03/12/15	MOLEX INCORPORATED		
	30 OVER	±0.3	APPROVED BY M. SASAO	DATE '03/12/15	DOCUMENT NO. SD-54132-060		
ANGULAR ±3°		DRAFT WHERE APPLICABLE MUST REMAIN WITHIN DIMENSIONS		MATERIAL NO. SEE TABLE		SHEET NO. 1 OF 2	
SIZE 3				THIS DRAWING CONTAINS INFORMATION THAT IS PROPRIETARY TO MOLEX INCORPORATED AND SHOULD NOT BE USED WITHOUT WRITTEN PERMISSION			

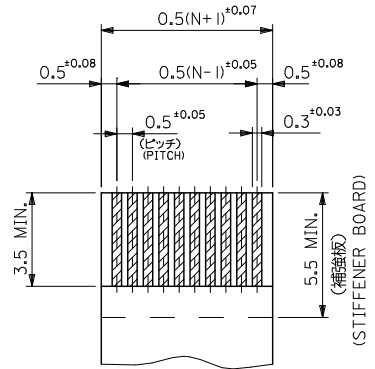
10 9 8 7 6 5 4 3 2 1



参考基板レイアウト
RECOMMENDED PC BOARD PATTERN DIMENSION(REF.)
(マウント面)
(MOUNTING SIDE)



適合FPC推奨寸法
APPLICABLE FPC RECOMMENDED DIMENSION
(仕上がり厚さ: 0.3+0.03)
(THICKNESS: 0.3+0.03)



適合FFC推奨寸法
APPLICABLE FFC RECOMMENDED DIMENSION
(仕上がり厚さ: 0.3+0.03)
(THICKNESS: 0.3+0.03)

注記
NOTES

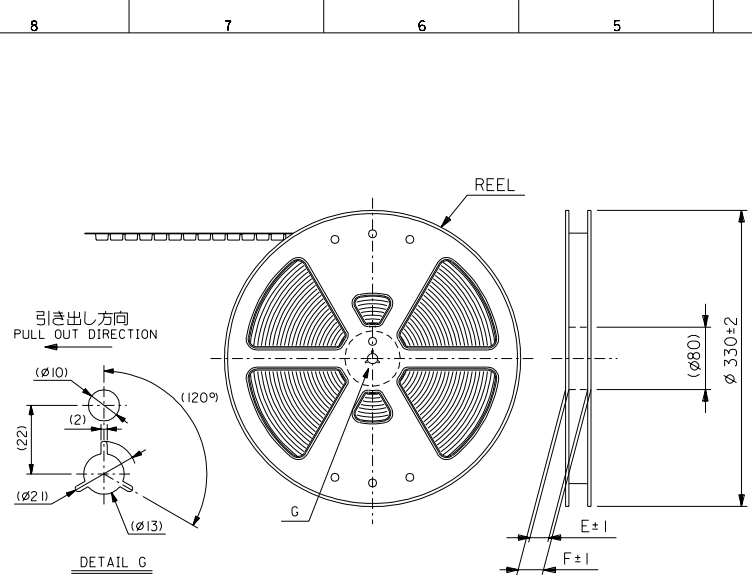
1. 使用材料 MATERIAL : 46ナイロン, UL94V-0
ハウジング HOUSING : 46NYLON
アクチュエーター ACTUATOR : PPS, UL94V-0
ターミナル TERMINAL : リン青銅 (1=0.2), 銅+ビスマズメッキ 1.0~3.0 MICRO METER MIN. ニッケル下地 1.0~3.0 MICRO METER MIN.
金具 FITTING NAIL : リン青銅 (1=0.2), 銅メッキ 1.0~3.0 MICRO METER MIN. ニッケル下地 1.0~3.0 MICRO METER MIN.
FITTING NAIL : PHOS-BRO-TIN-PLATE 1.0~3.0 MICRO METER MIN. OVER NICKEL 1.0~3.0 MICRO METER MIN.

2. エンボステープ梱包時は、アクチュエーターがロックした状態とする。
IN THE PACKAGE, ACTUATOR OF PART NO.54132-***31 SHOULD BE LOCKED.
- △ソルダーテール半田付け面のスレ量、及び金具半田付け面のスレ量は、基準面 田に対し上方向0.1MAX.、下方向0.15MAX.とする。
MISALIGNMENT OF SOLDER TAILS AND FITTING NAIL FROM 田 UPPER DIRECTION: 0.1 MAX., LOWER DIRECTION: 0.15 MAX.
- △偶数極に適用
APPLY FOR EVEN CIRCUIT.
- △パターンはくり止め用金具
FITTING NAIL FOR PREVENTION OF PEELING OF P.C.B. PATTERN.
6. 本製品は54132-***31の鉛フリー品である。
THIS PRODUCT IS LEAD FREE OF 54132-***31

FPC/FFCについて
打抜き方向は導体側から補強板側を推奨いたします。
導体部については軟銅箔35マイクロメーターまたは50マイクロメーター
RECOMMENDED PUNCHER DIRECTION:
FROM CONDUCTOR SIDE TO STIFFENER BOARD SIDE.
RECOMMENDED CONDUCTOR SPEC.:
THICKNESS OF SOFT COPPER FOIL:
35 micrometer or 50 micrometer

54132-***39 MODEL NO.

REVISED EC NO: J2008-4308 DRAWN BY: M.NABEI CHKD: HARUYAMA APPR: NIKITA B	DESCRIPTION 2008/06/27 2008/06/30 2008/06/30	GENERAL TOLERANCES (UNLESS SPECIFIED)		DIMENSION STYLE MM ONLY		SCALE ---	DESIGN UNITS METRIC	THIRD ANGLE PROJECTION	
		10 UNDER	±0.2	DRAWN BY M.NABEI	DATE '03/12/15	TITLE 0.5 FPC CONN ZIF HOUSING ASSY FOR SMT -LEAD FREE-			
		10 OVER 30 UNDER	±0.25	CHECKED BY M.SASAO	DATE '03/12/15	MOLEX INCORPORATED			
		30 OVER	±0.3	APPROVED BY M.SASAO	DATE '03/12/15	DOCUMENT NO. SD-54132-060			
ANGULAR ±3 °		DRAFT WHERE APPLICABLE MUST REMAIN WITHIN DIMENSIONS		MATERIAL NO. SEE SHEET 1		SHEET NO. 2 OF 2			
SIZE 3 THIS DRAWING CONTAINS INFORMATION THAT IS PROPRIETARY TO MOLEX INCORPORATED AND SHOULD NOT BE USED WITHOUT WRITTEN PERMISSION									



NOTES

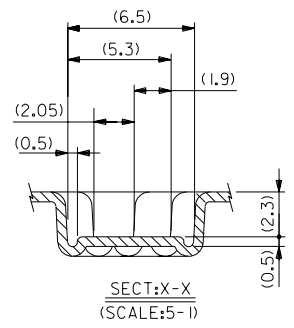
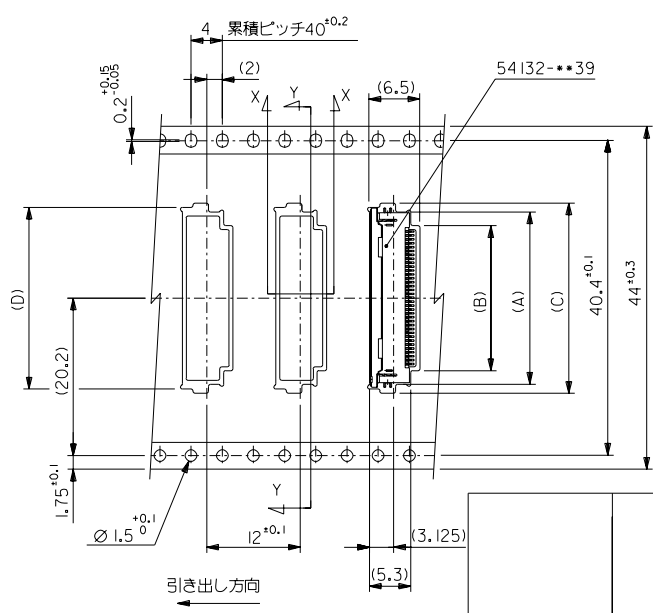
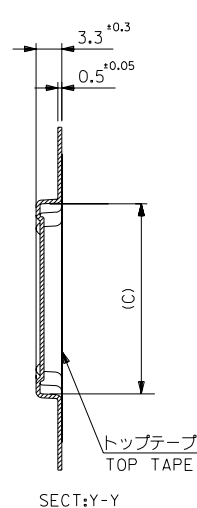
- 梱包数量：1500個/リール
NUMBER OF CONNECTORS : 1500PCS/REEL
 - リードテープ長さ LEAD TAPE LENGTH
20PCS, MIN-トップテープ接着部 (空エンボス)
TOP TAPE BONDED PART. (EMPTY)
部品挿入部 COMPONENT SUPPLIER
末端部 (空部) TAIL PART (EMPTY)
400MIN. 40MIN.
 - トップテープの剥離強度： 0.1N ~ 1.3N(10gf ~ 130gf)
(剥離方向は下図参照)
尚、本規格値は出荷時に適用。(但し、輸送時に剥離が発生しないこと。)
PEELING OFF FORCE OF TOP TAPE : 0.1N ~ 1.3N(10gf ~ 130gf)
(PEELING DIRECTION AS SHOWN IN FOLLOWING FIG.)
THIS REQUIREMENT SHOULD BE APPLIED AT SHIPMENT.
PEEL OFF SHOULD NOT BE ALLOWED DURING TRANSPORTATION.
-
- 材料 キャリアテープ:ポリプロピレン (PP)
トップテープ:PET, PE, PEF
リール:ポリスチレン (PS) <リサイクル材を含む>
MATERIAL CARRIER TAPE:POLYPROPYLENE
TOP TAPE:PET,PE,PEF
REEL:POLYSTYRENE(PS)
<RECYCLE MATERIAL CONTAINED>
 - 本製品は54132-* * 92の鉛フリー品である。
THIS PRODUCT IS LEAD FREE OF 54132-**92

DO NOT SCALE DRAWING

EC NO. DRWN: CHK: APPR:		EC NO. DRWN: CHK: APPR:		EC NO. DRWN: CHK: APPR:		REVISED EC NO. J2004-2790 DRWN: SHIMABUKURO WJZ CHK: K.TOJO WJZ APPR: M.SASAO WJZ		RELEASED EC NO. J2004-1538 DRWN: M.NABEI WJZ CHK: M.SASAO WJZ APPR: M.SASAO WJZ		MATERIAL 材料 注記参照 SEE NOTES		GENERAL TOLERANCES: (UNLESS SPECIFIED) 一般公差		SCALE — / — mm / INCH		DESIGN UNITS <input checked="" type="checkbox"/> mm <input type="checkbox"/> INCH		THIRD ANGLE PROJECTION <input type="checkbox"/> mm <input type="checkbox"/> INCH <input checked="" type="checkbox"/> ONLY		MODEL NO. 54132-**97		SHT REV	
A		O		REV		FINISH 仕上げ //		WIRE RANGE 適用電線範囲 //		INS. RANGE 被覆外径 //		10 UNDER 未満 +0.2		DRAWN BY & DATE M.NABEI 03/12/15		CHECKED BY & DATE M.SASAO 03/12/15		APPROVED BY & DATE M.SASAO 03/12/15		TITLE: EMBOSSED TAPE PACKAGE FOR 0.5 FPC CONN. ZIF -LEAD FREE-		REVISE ON CAD ONLY	
8		7		6		5		4		3		2		1		MATERIAL NO. SD-54132-061.S01		DRAWING NO. SD-54132-061		SHEET NO. 1 OF 2			
THIS DRAWING CONTAINS INFORMATION THAT IS PROPRIETARY TO MOLEX INCORPORATED AND SHOULD NOT BE USED WITHOUT WRITTEN PERMISSION.																				SIZE B			
EN-02J(097) MXJ-54																							

DWG. NO. SD-54132-06

DO NOT SCALE DRAWING



44	49.4	45.4	30.8	31.6	26.1	29.6	54132-5097	50	
			28.3	29.4	23.6	27.1	-4597	45	
			27.3	28.4	22.6	26.1	-4397	43	
			25.8	26.9	21.1	24.6	-4097	40	
			24.8	25.9	20.1	23.6	-3897	38	
			23.8	24.9	19.1	22.6	-3697	36	
			23.3	24.4	18.6	22.1	-3597	35	
			22.8	23.9	18.1	21.6	-3497	34	
			22.3	23.4	17.6	21.1	-3397	33	
			21.8	22.9	17.1	20.6	-3297	32	
20.8	21.9	16.1	19.6	54132-3097	30				
キャリアテープ幅 CARRIER TAPE WIDTH		F	E	D	C	B	A	ENG. NO.	CKT.

EC NO. DRWN: CHK: APPR:		EC NO. DRWN: CHK: APPR:		EC NO. DRWN: CHK: APPR:		EC NO. J2004-2790 DRWN: SHIMAMURO W/S CHK: M.SASAO W/S APPR: M.SASAO W/S		REVISED		EC NO. J2004-1538 DRWN: M.NABEI W/S CHK: M.SASAO W/S APPR: M.SASAO W/S		RELEASED		MATERIAL 材料		GENERAL TOLERANCES: (UNLESS SPECIFIED)		SCALE → mm □ INCH		DESIGN UNITS □ mm □ INCH		MODEL NO.		DIMENSIONS: □ mm □ INCH □ mm ONLY		SHT REVISE ON CAD ONLY	
						A				O				SHEET 1 OF 2 参照 REFER TO SHEET 1 OF 2		10 UNDER 未満 +0.2		DRAWN BY & DATE M.NABEI 03/12/15		TITLE: EMBOSSED TAPE PACKAGE FOR 0.5 FPC CONN. ZIF -LEAD FREE-		MATERIAL NO.		MATERIAL NO.		MATERIAL NO.	
														FINISH 仕上げ //		10 OVER 30 UNDER 未満 +0.25		CHECKED BY & DATE M.SASAO 03/12/15		MATERIAL NO.		DRAWING NO.		SHEET NO.			
														WIRE RANGE 適用電線範囲 //		30 OVER 以上 +0.3		APPROVED BY & DATE M.SASAO 03/12/15		SEE CHART		SD-54132-061		2 OF 2			
														INS. RANGE 被覆外径 //		ANGLE 角度 +3°		CAD FILENAME SD-54132-061.S02		MATERIAL NO.		DRAWING NO.		SHEET NO.			
																		THIS DRAWING CONTAINS INFORMATION THAT IS PROPRIETARY TO MOLEX INCORPORATED AND SHOULD NOT BE USED WITHOUT WRITTEN PERMISSION.		MATERIAL NO.		DRAWING NO.		SHEET NO.			
																				MATERIAL NO.		DRAWING NO.		SHEET NO.			
																				MATERIAL NO.		DRAWING NO.		SHEET NO.			
																				MATERIAL NO.		DRAWING NO.		SHEET NO.			
																				MATERIAL NO.		DRAWING NO.		SHEET NO.			
																				MATERIAL NO.		DRAWING NO.		SHEET NO.			
																				MATERIAL NO.		DRAWING NO.		SHEET NO.			