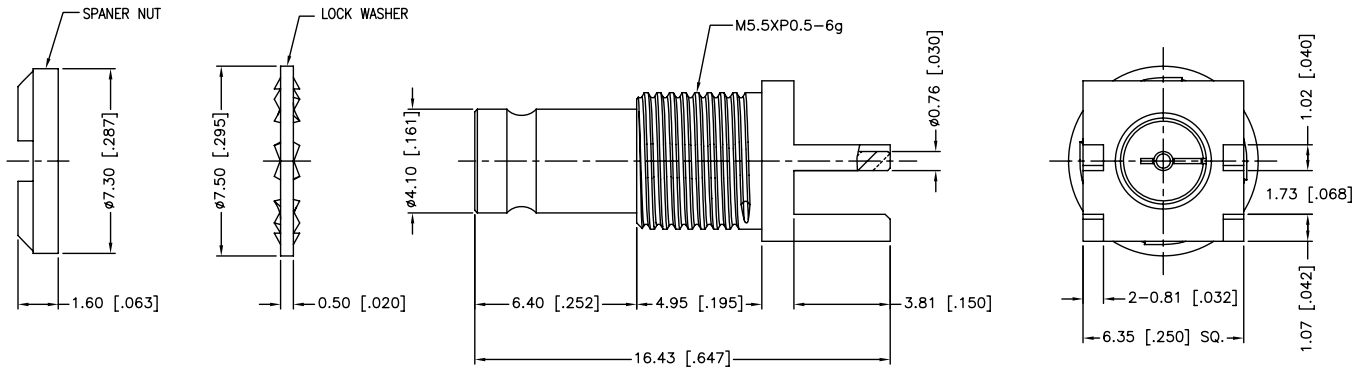
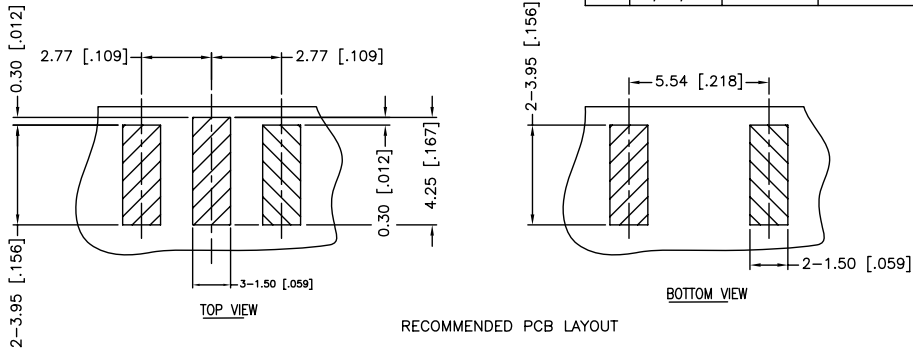


| REV. | DATE | ECR NO. | DESCRIPTION |
|------|----------|---------|-----------------|
| NC | 03/08/10 | XXXXXX | INITIAL RELEASE |



1. FREQUENCY RANGE: 0 - 3 GHz
2. VSWR (RETURN LOSS): 1.15 MAX.

| UNLESS OTHERWISE SPECIFIED DIMENSIONS ARE IN MILLIMETERS. DIMENSIONS IN [] ARE IN INCHES AND FOR CUSTOMER REFERENCE ONLY. | | | | APPROVALS | DATE | <h2 style="color: blue; margin: 0;">Amphenol Connex</h2> | | | | |
|---|-------------|-------------|---------|---|---------|--|---------|----------|--|----------|
| 5 | SPANNER NUT | BRASS | GOLD | 1 | DRAWN | | M.ZHANG | 03/08/10 | PART DESCRIPTION 1.0/2.3 END LAUNCH RECEPT. BULK HAND JACK - 75 OHM (.062" BOARD THICKNESS) | |
| 4 | LOCK WASHER | BRASS | GOLD | 1 | CHECKED | | | | | |
| 3 | CONTACT PIN | BER. COPPER | GOLD | 1 | ISSUED | | | | | |
| 2 | INSULATOR | PTFE | NATURAL | 1 | SHEET | | 1 OF 1 | | | |
| 1 | BODY | BRASS | GOLD | 1 | | | | | | |
| <small>UNLESS OTHERWISE SPECIFIED TOLERANCES FOR MILLIMETERS ARE: 0.5 - 8mm ± 0.20mm 8 - 30mm ± 0.40mm 30 - 120mm ± 0.50mm</small> | | | | <small>UNLESS OTHERWISE SPECIFIED TOLERANCES FOR INCHES ARE: .020 - .315 ± 0.007" .315 - 1.180 ± 0.015" 1.180 - 4.724 ± 0.020"</small> | | PART NO. 282133-75 | | | | |
| <small>DO NOT SCALE DRAWING</small> | | | | CAD FILE C:/CONNEX/282133-75.DWG | | DWG. NO. 282133-75.DWG | | REV. NC | SIZE A | SCALE NA |