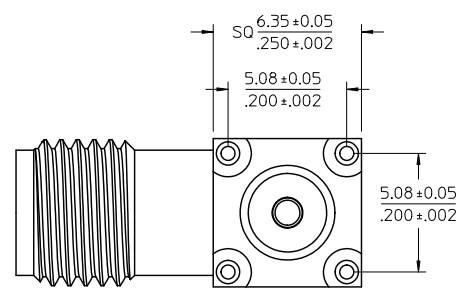
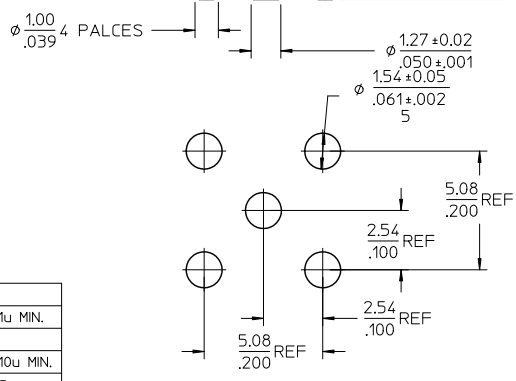
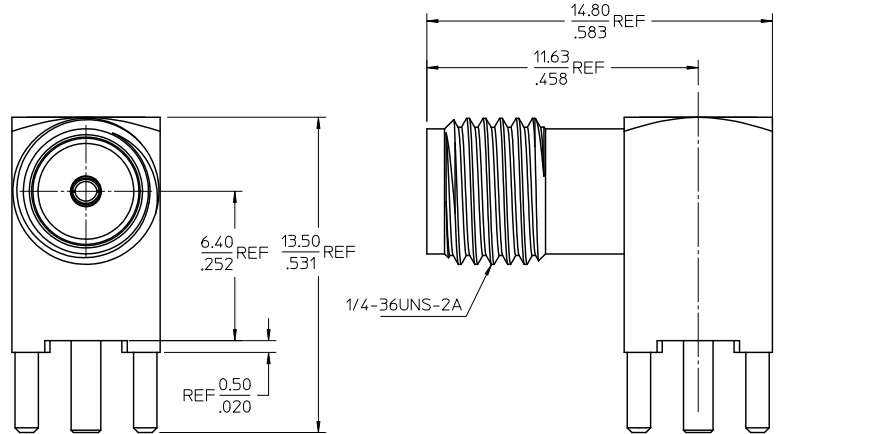


MATERIAL & FINISH:  
 1) BODY: ZINC ALLOY / SEE TABLE FOR PLATING  
 2) INSULATOR: TEFLON  
 3) FEMALE CENTER CONTACT:  
 BERYLLIUM COPPER / GOLD PLATED  
 4) CENTER CONTACT: BRASS/GOLD PLATED  
 5) COVER: BRASS/ SEE TABLE FOR PLATING

PACKING : BY TRAY



PART NO.	DESCRIPTION
3	73391-0083 COVER, GOLD 1u MIN. BODY AND PIN, GOLD 1u MIN.
2	73391-0081 COVER, GOLD 10u MIN. BODY AND PIN, GOLD 10u MIN.
1	73391-0080 COVER, NICKEL PLATED BODY, NICKEL PLATED

PART NO.	DESCRIPTION
PS-73598-0111	SPECIFICATION
MIL-STD-348A, FIG. 310.1	SMA INTERFACE

PART NO.	PACKAGING
73391-0082	73391-0080 BY TRAY (20 CAV.)

DATE	DESCRIPTION
2010/08/23	DRWN: LIN
2010/09/02	CHKD: CHK
2010/09/02	APPR: JHJ

GENERAL TOLERANCES (UNLESS SPECIFIED)	DIMENSION STYLE	SCALE	DESIGN UNITS	THIRD ANGLE PROJECTION
4 PLACES ± .005	MM/IN		METRIC	
3 PLACES ± .010				
2 PLACES ± .020				
1 PLACE ± .050				
ANGULAR ± 2°				
DRAWN BY: LYNN LIN DATE: 1998/12/08		TITLE: 50 OHM SMA R/A PCB RECEPTACLE SMA-J/RA		
CHECKED BY: A. CLARY DATE: 1998/12/08		MOLEX MOLEX INCORPORATED		
APPROVED BY: NISEN DATE: 1998/12/08		MATERIAL NO. SD-73391-008		
DRAFT WHERE APPLICABLE MUST REMAIN WITHIN DIMENSIONS		DOCUMENT NO. SD-73391-008		
SIZE: C		SHEET NO. 1 OF 1		