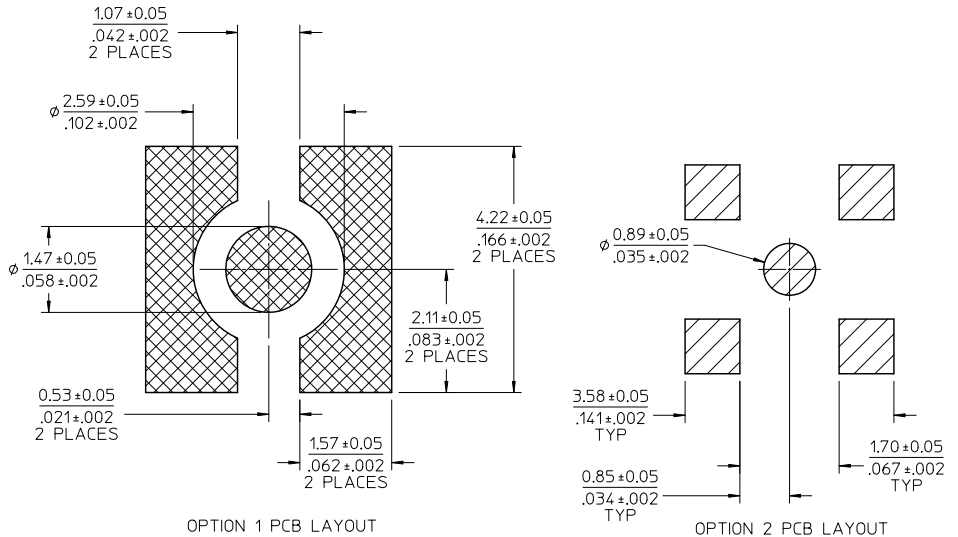
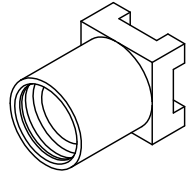
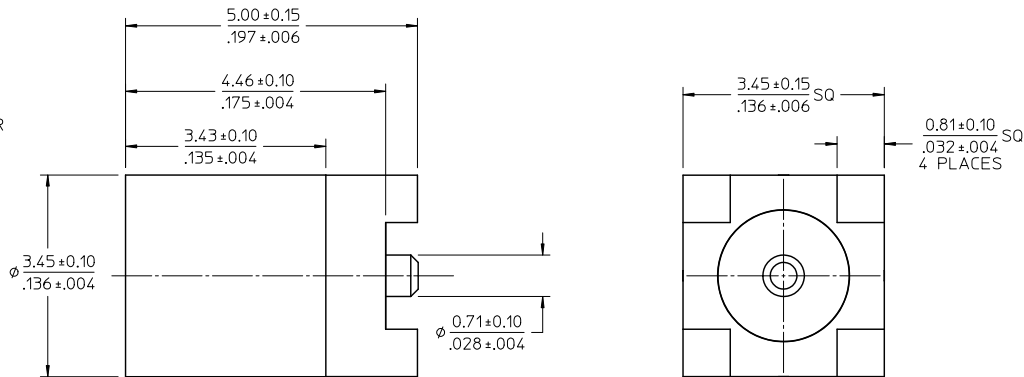


MATERIALS AND FINISHES

- BODY BRASS
PLATED GOLD
- CENTER CONTACT BERYLLIUM COPPER
PLATED GOLD
- INSULATOR TEFLON

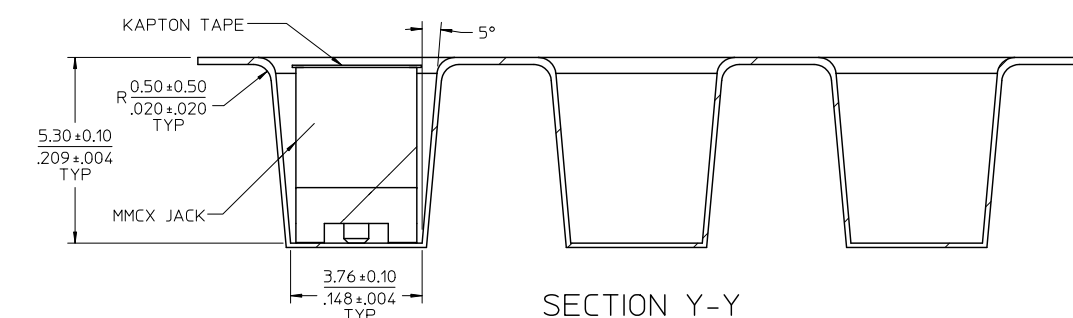
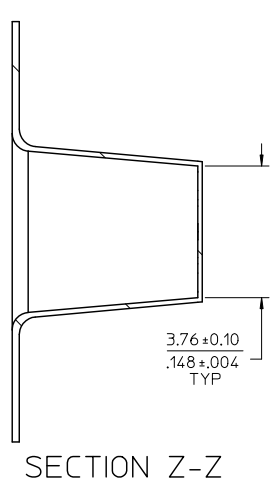
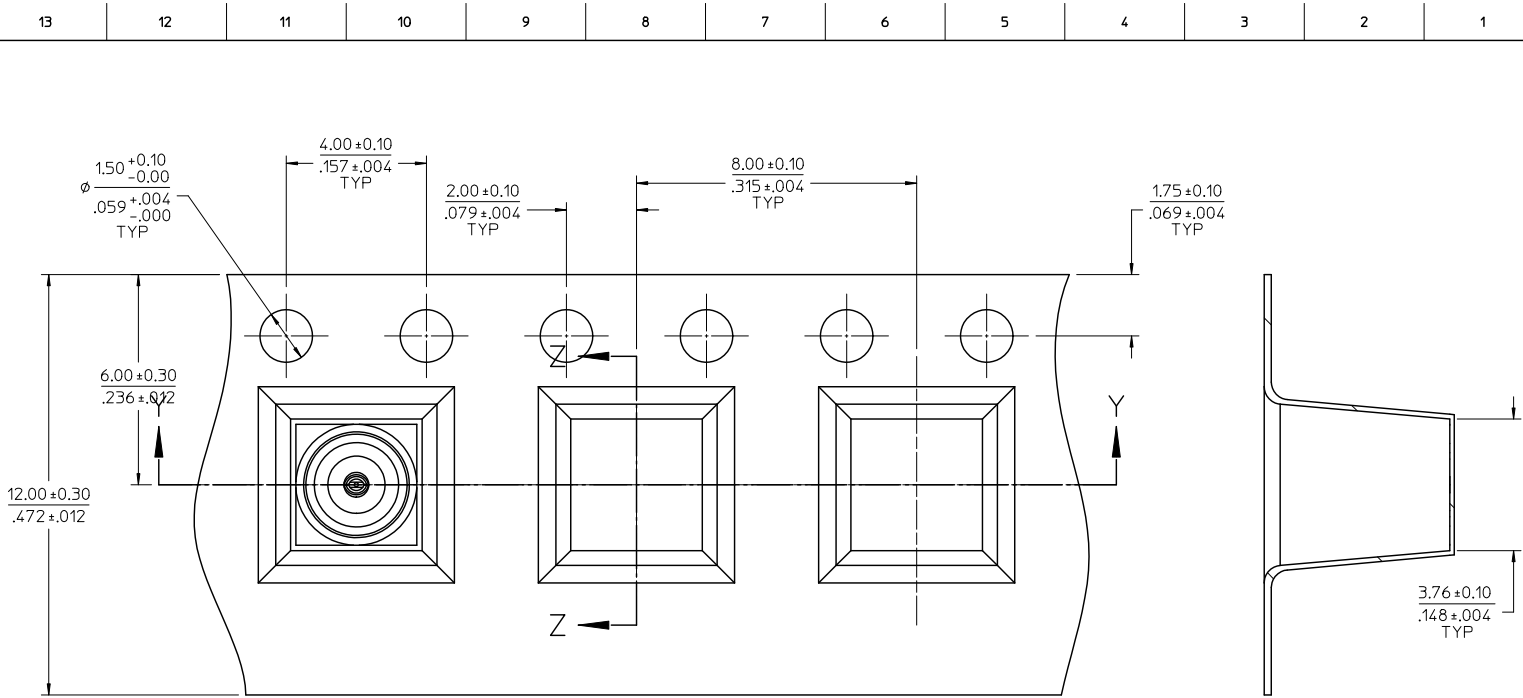


ES-73599-0000-0160	INTERFACE
PS-89675-1910	ELECTRO/MECH PERFORM.
SPECIFICATION	DESCRIPTION

73415-2064	73415-2061. ONE PER BAG
73415-2063	73415-2061 WITH TAPE & REEL
73415-2062	73415-2060 WITH TAPE & REEL
73415-2061	PER COMMERCIAL REQUIREMENTS
73415-2060	PER MILITARY REQUIREMENTS
PART NO.	PLATING

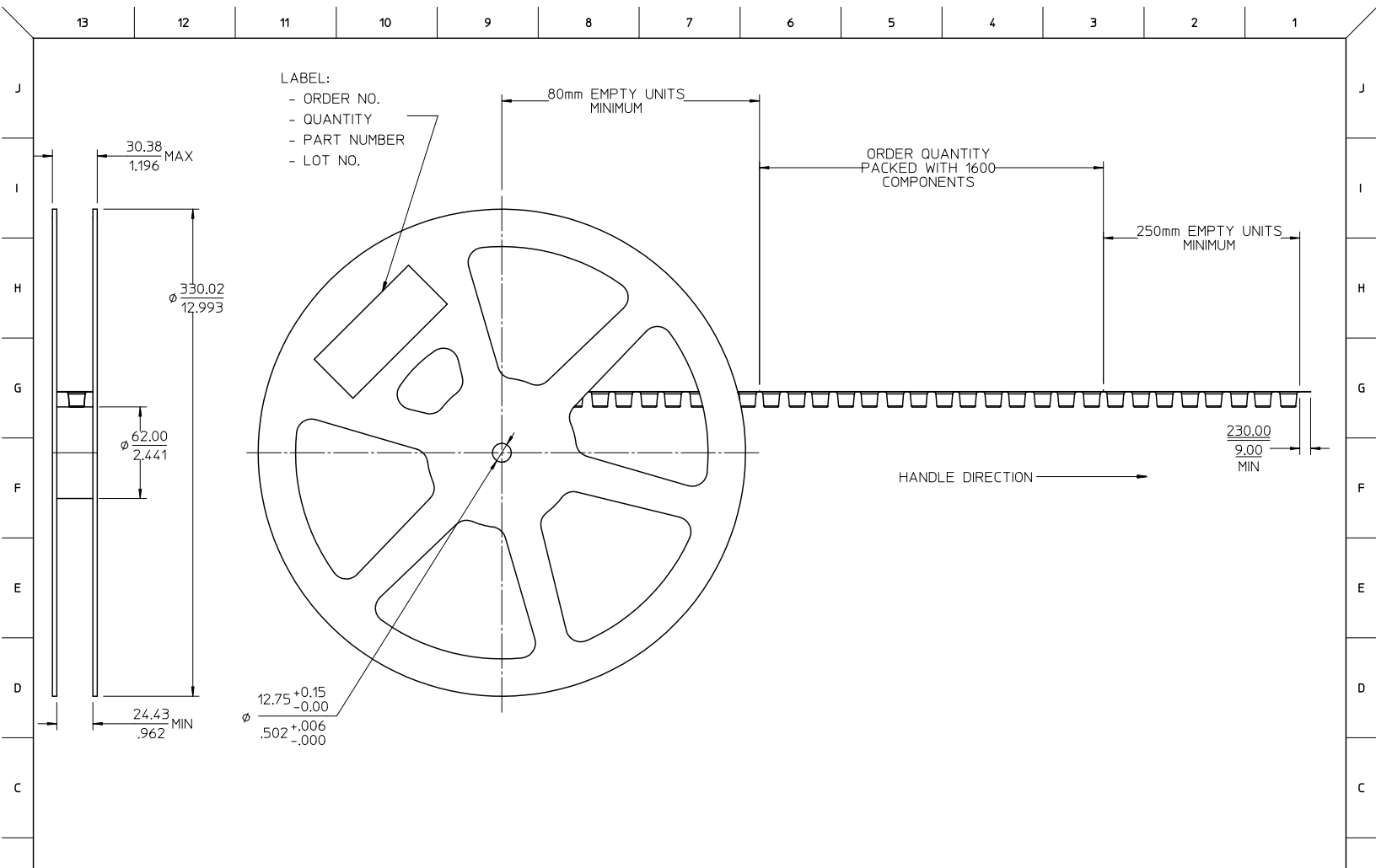
CHG: ADDED 2ND PCB OPTION. EC NO: URF2011-0454 DRWNG: CHENG 2011/01/26 CHKD: APPR: JHLIANG 2011/02/11 REV: A6	QUALITY SYMBOLS	GENERAL TOLERANCES (UNLESS SPECIFIED)	DIMENSION STYLE	SCALE	DESIGN UNITS	THIRD ANGLE PROJECTION
	▽=0 ▽=0	mm INCH 4 PLACES ± --- ± --- 3 PLACES ± --- ± --- 2 PLACES ± --- ± --- 1 PLACE ± --- ± --- ANGULAR ± 2 °	MM/IN	DRAWN BY: TEF DATE: 2000/04/18 CHECKED BY: SSS DATE: 2000/04/18 APPROVED BY: GMH DATE: 2000/04/18	METRIC	MDCX JACK, VERTICAL PCB/SMT 50 OHMS MMCX-J/PCB
	DRAFT WHERE APPLICABLE MUST REMAIN WITHIN DIMENSIONS	SEE TABLE	MATERIAL NO.	DOCUMENT NO.	SHEET NO.	MOLEX INCORPORATED SD-73415-206 1 OF 3
	THIS DRAWING CONTAINS INFORMATION THAT IS PROPRIETARY TO MOLEX INCORPORATED AND SHOULD NOT BE USED WITHOUT WRITTEN PERMISSION					

lb_frame_C_P_AM_T Rev. D 2004/06/28



SECTION Y-Y

CHG: SEE SHEET 1 EC NO: URF2011-0454 DRWN: CHENG 2011/01/26 CHKD: APPR: WUJIANG DATE: 2011/02/11 A6	QUALITY SYMBOLS	GENERAL TOLERANCES (UNLESS SPECIFIED)		DIMENSION STYLE		SCALE	DESIGN UNITS	THIRD ANGLE PROJECTION	
	$\nabla=0$ $\nabla=0$	mm	INCH	MM/IN	MM/IN	METRIC			
		4 PLACES ± --- ± ---	3 PLACES ± --- ± ---	2 PLACES ± --- ± ---	1 PLACE ± --- ± ---	ANGULAR ± 2 °			
		DRAFT WHERE APPLICABLE MUST REMAIN WITHIN DIMENSIONS		SEE SHEET 1		SD-73415-206		SHEET NO. 2 OF 3	
			MATERIAL NO. GMH		DOCUMENT NO. MOLEX INCORPORATED		THIS DRAWING CONTAINS INFORMATION THAT IS PROPRIETARY TO MOLEX INCORPORATED AND SHOULD NOT BE USED WITHOUT WRITTEN PERMISSION		



LABEL:
 - ORDER NO.
 - QUANTITY
 - PART NUMBER
 - LOT NO.

ORDER QUANTITY
 PACKED WITH 1600
 COMPONENTS

250mm EMPTY UNITS
 MINIMUM

80mm EMPTY UNITS
 MINIMUM

HANDLE DIRECTION →

230.00
 9.00
 MIN

12.75 ^{+0.15}
 -0.00
 5.02 ^{+0.006}
 -0.000

30.38
 1.196 MAX

330.02
 12.993

62.00
 2.441

24.43
 .962 MIN

CHG: SEE SHEET 1 EC NO: URF201-0454 DRWN: CHENG 2011/01/26 CHKD: APPR: MIQUANG 2011/02/11	QUALITY SYMBOLS	GENERAL TOLERANCES (UNLESS SPECIFIED)		DIMENSION STYLE		SCALE	DESIGN UNITS	THIRD ANGLE PROJECTION
	▽=0	mm	INCH	MM/IN		METRIC		
	▽=0	4 PLACES ±----	±----	DRAWN BY	DATE	TITLE		
		3 PLACES ±----	±----	TEF	2000/04/18	MMCX JACK, VERTICAL PCB/SMT 50 OHMS MMCX-J/PCB		
	2 PLACES ±----	±----	CHECKED BY	DATE	MATERIAL NO.			
	1 PLACE ±----	±----	SSS	2000/04/18	SD-73415-206			
	ANGULAR ± 2 °		APPROVED BY	DATE	DOCUMENT NO.		SHEET NO.	
			GMH	2000/04/18	MOLEX INCORPORATED		3 OF 3	
	DRAFT WHERE APPLICABLE MUST REMAIN WITHIN DIMENSIONS		SEE SHEET 1		THIS DRAWING CONTAINS INFORMATION THAT IS PROPRIETARY TO MOLEX INCORPORATED AND SHOULD NOT BE USED WITHOUT WRITTEN PERMISSION			