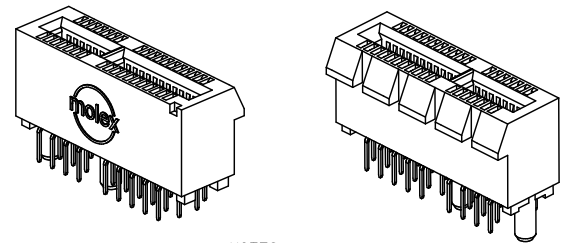
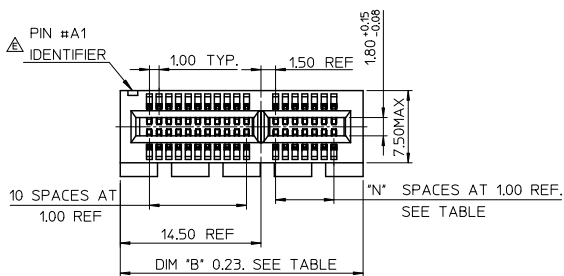
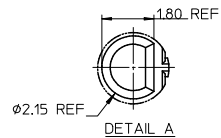
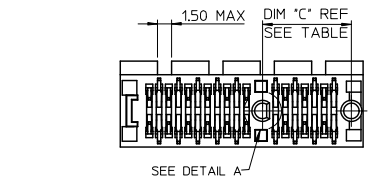
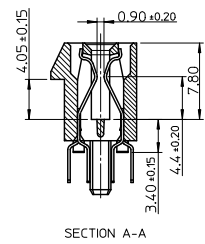
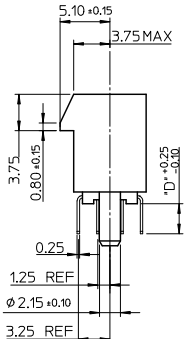
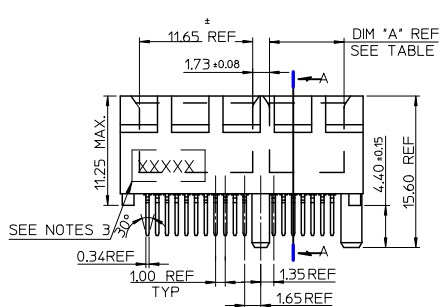


10 9 8 7 6 5 4 3 2 1



- NOTES:
- 1.MATERIALS:
1-1.HOUSING: SEE TABLE ,GLASS FIBER FILLED UL94V-0, COLOR: SEE TABLE.
 - 1-2.CONTACT: SEE TABLE
 - 2.PLATING:
2-1.CONTACT AREA: GOLD, THICKNESS : SEE TABLE .
2-2.SOLDER TAIL: 100 MICROINCH MIN. TIN PLATING.
2-3.UNDER PLATING: NICKEL PLATING OVERALL.
 - 3.WEEK CODE: XX(YEAR) XXI(WEEK) X(LOCATION).
 - 4.PRODUCT SPECIFICATION REFER TO PS-87715-200.
 - 5.PACKAGING SPECIFICATION REFER TO PK-87715-207.
 - 6.TEST SUMMARY:REFER TO TS-87715-207.
 - 7.LEAD FREE AND ROHS COMPLIANCE PRODUCT.

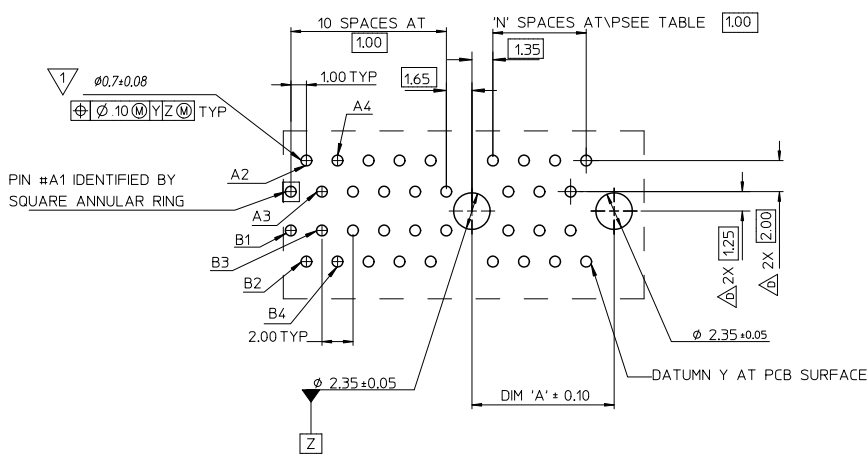


CONNECTOR LINK WIDTH	# POS REF	N	DIM 'A'	DIM 'B'	DIM 'C'
X1	36	6	7.65	25.00	9.15
X4	64	20	21.65	39.00	23.15
X8	98	37	38.65	56.00	40.15
X16	164	70	71.65	89.00	73.15

PCB THK (REF)	DIM 'D'
1.60	2.30
1.58	2.54
2.36	3.00

REVISED EC NO: SH2010-0468 DRAWN: ZHANG 2010/06/15 CHECKED: LUN 2004/07/20 APPROVED: JIANG 2010/07/02 DESCRIPTION	QUALITY SYMBOLS	GENERAL TOLERANCES (UNLESS SPECIFIED)	DIMENSION STYLE	SCALE	DESIGN UNITS	THIRD ANGLE PROJECTION
	▽=0	mm INCH	MM ONLY	METRIC	⊙	
	▽=0	4 PLACES ± --- ± ---	DRAWN BY DATE	TITLE		
	▽=0	3 PLACES ± --- ± ---	TOM 2004/07/20	PCI EXPRESS EDGE CARD CONNECTOR (LEAD FREE VERSION)		
	2 PLACES ± 0.25 ± ---	CHECKED BY DATE	MOLEX INCORPORATED			
	1 PLACE ± 0.25 ± ---	ALLEN LIN 2004/07/20	MATERIAL NO. DOCUMENT NO. SHEET NO.			
	ANGULAR ± 3 °	APPROVED BY DATE	SEE SHEET 4 SD-87715-207 1 OF 4			
		WILSON 2004/07/20	THIS DRAWING CONTAINS INFORMATION THAT IS PROPRIETARY TO MOLEX INCORPORATED AND SHOULD NOT BE USED WITHOUT WRITTEN PERMISSION			

10 9 8 7 6 5 4 3 2 1



▽ THE HORIZONTAL AXIS FOR THE HOLE PATTERN IS ESTABLISHED BY A LINE THROUGH THE CENTER OF THE TWO $\phi 2.35$ HOLES. THE VERTICAL AXIS IS 90° TO THE HORIZONTAL AXIS, THROUGH THE CENTER OF DATUM Z

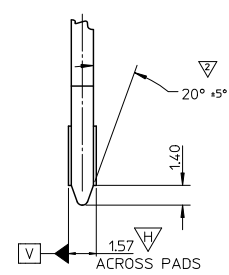
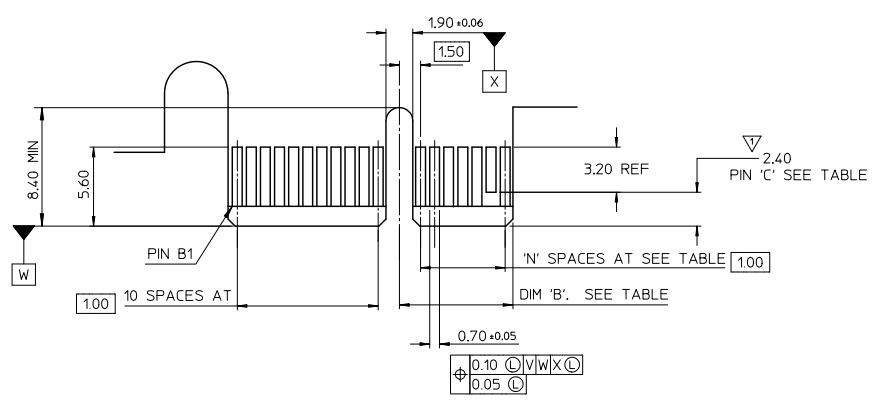
CONNECTOR LINK WIDTH	# POS REF	N	DIM 'A'
X1	36	6	9.15
X4	64	20	23.15
X8	98	37	40.15
X16	164	70	73.15

SEE SHEET 1 EC NO: SH2010-0468 DRAWN BY: DRWNRZHANG 2010/06/15 CHECKED BY: CHYKALLEN LIN 2004/07/20 APPROVED BY: APPR: XJ JSONG 2010/07/02	QUALITY SYMBOLS	GENERAL TOLERANCES (UNLESS SPECIFIED)	DIMENSION STYLE MM ONLY	SCALE	DESIGN UNITS METRIC	THIRD ANGLE PROJECTION
	▽=0	4 PLACES ± --- ± ---	DRAWN BY: TOM DATE: 2004/07/20	TITLE	PCI EXPRESS EDGE CARD CONNECTOR (LEAD FREE VERSION)	
	▽=0	3 PLACES ± --- ± ---	CHECKED BY: ALLEN LIN DATE: 2004/07/20	MOLEX INCORPORATED		
	▽=0	2 PLACES ± 0.25 ± ---	APPROVED BY: WILSON DATE: 2004/07/20	MATERIAL NO.	DOCUMENT NO.	SHEET NO.
	ANGULAR ± 3°	DRAFT WHERE APPLICABLE MUST REMAIN WITHIN DIMENSIONS	SEE SHEET 4	SD-87715-207	2 OF 4	
			THIS DRAWING CONTAINS INFORMATION THAT IS PROPRIETARY TO MOLEX INCORPORATED AND SHOULD NOT BE USED WITHOUT WRITTEN PERMISSION			

tb_frame_A3_P_AM_T
Rev. F 2009/06/18

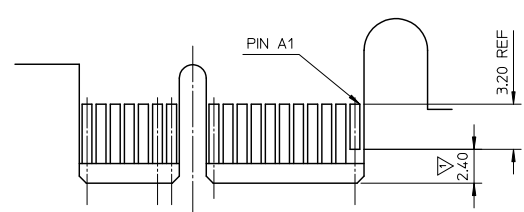
9 8 7 6 5 4 3 2 1

10 9 8 7 6 5 4 3 2 1



← I/O PANEL DIRECTION

PRIMARY (COMPONENT) SIDE



I/O PANEL DIRECTION →

SECONDARY (SOLDER) SIDE

NO TIE BAR PERMITTED FROM CARD EDGE TO LEADING EDGE OF PAD FOR PINS A1 AND 'C'.
 CHAMFER EDGES MUST BE FREE OF CUTTING BURRS.
 3. TOLERANCE: .XX±.13

CONNECTOR LINK WIDTH	# POS REF	N	DIM 'B'	'C' Δ
X1	36	6	8.15	B17
X4	64	20	22.15	B17, B31
X8	98	37	39.15	B17, B31 B48
X16	164	70	72.15	B17, B31 B48, B81

SEE SHEET 1 EC NO: SH2010-0468 DRAWN BY: SHANG 2010/06/15 CHECKED BY: ALLEN LIN 2004/07/20 APPROVED BY: XIAOSONG 2010/07/02	QUALITY SYMBOLS $\nabla=0$ $\nabla=0$ $\nabla=0$	GENERAL TOLERANCES (UNLESS SPECIFIED)		DIMENSION STYLE MM ONLY		SCALE	DESIGN UNITS METRIC	THIRD ANGLE PROJECTION	
		4 PLACES ± --- ± ---	mm	INCH	DRAWN BY TOM	DATE 2004/07/20	TITLE PCI EXPRESS EDGE CARD CONNECTOR (LEAD FREE VERSION)		
		3 PLACES ± 0.25 ± ---	DRAFT WHERE APPLICABLE MUST REMAIN WITHIN DIMENSIONS		CHECKED BY ALLEN LIN	DATE 2004/07/20	MOLEX INCORPORATED		
		2 PLACES ± 0.25 ± ---	MATERIAL NO. SEE SHEET 4		APPROVED BY WILSON	DATE 2004/07/20	DOCUMENT NO. SD-87715-207	SHEET NO. 3 OF 4	

10 9 8 7 6 5 4 3 2 1

MOLEX P/N	CIRCUIT SIZE	HOUSING MATERIAL	HOUSING COLOR	TERMINAL MATERIAL	CONTACT PLATING	SOLDER TAIL 'D' LENGTH
87715-9001	36	NYLON46	BLACK	PHOSPHOR BRONZE	10 MICROINCH	2.54
87715-9003					GOLD FLASH	3.00
87715-9004					10 MICROINCH	
87715-9007					GOLD FLASH	2.30
87715-9008					15 MICROINCH	

MOLEX P/N	CIRCUIT SIZE	HOUSING MATERIAL	HOUSING COLOR	TERMINAL MATERIAL	CONTACT PLATING	SOLDER TAIL 'D' LENGTH
87715-9100	64	NYLON46	BLACK	PHOSPHOR BRONZE	GOLD FLASH	2.54
87715-9101					10 MICROINCH	
87715-9102					15 MICROINCH	
87715-9103					GOLD FLASH	3.00
87715-9104					10 MICROINCH	
87715-9105					15 MICROINCH	
87715-9106					30 MICROINCH	2.54
87715-9107					GOLD FLASH	2.30
87715-9108					15 MICROINCH	
87715-9109					30 MICROINCH	3.00

MOLEX P/N	CIRCUIT SIZE	HOUSING MATERIAL	HOUSING COLOR	TERMINAL MATERIAL	CONTACT PLATING	SOLDER TAIL 'D' LENGTH
87715-9200	98	NYLON46	BLACK	PHOSPHOR BRONZE	GOLD FLASH	2.54
87715-9201					10 MICROINCH	
87715-9202					15 MICROINCH	
87715-9203					GOLD FLASH	3.00
87715-9204					10 MICROINCH	
87715-9205					15 MICROINCH	
87715-9206					30 MICROINCH	2.54
87715-9207					GOLD FLASH	2.30
87715-9208					15 MICROINCH	
87715-9209					30 MICROINCH	3.00

MOLEX P/N	CIRCUIT SIZE	HOUSING MATERIAL	HOUSING COLOR	TERMINAL MATERIAL	CONTACT PLATING	SOLDER TAIL 'D' LENGTH
87715-9602	98	NYLON46	BLACK	BRASS	15 MICROINCH	2.54

MOLEX P/N	CIRCUIT SIZE	HOUSING MATERIAL	HOUSING COLOR	TERMINAL MATERIAL	CONTACT PLATING	SOLDER TAIL 'D' LENGTH
87715-9301	164	NYLON46	BLACK	PHOSPHOR BRONZE	10 MICROINCH	2.54
87715-9304					GOLD FLASH	3.00
87715-9307					15 MICROINCH	
87715-9308					15 MICROINCH	2.30

SEE SHEET 1 EC NO: SH2010-0468 DRAWN BY: DRWINRZHANG 2010/06/15 CHECKED BY: CHYKALLEN LIN 2004/07/20 APPROVED BY: APPR:XJJSONG 2010/07/02	QUALITY SYMBOLS	GENERAL TOLERANCES (UNLESS SPECIFIED)	DIMENSION STYLE	SCALE	DESIGN UNITS	THIRD ANGLE PROJECTION	
	▽=0	mm INCH	MM ONLY	METRIC			
	▽=0	4 PLACES ± --- ± ---	DRAWN BY: TOM DATE: 2004/07/20	TITLE: PCI EXPRESS EDGE CARD CONNECTOR (LEAD FREE VERSION)			
	▽=0	3 PLACES ± --- ± ---	CHECKED BY: ALLEN LIN DATE: 2004/07/20	APPROVED BY: WILSON DATE: 2004/07/20			
	2 PLACES ± 0.25 ± ---	ANGULAR ± 3°	MATERIAL NO. SEE TABLE	DOCUMENT NO. SD-87715-207			
	1 PLACE ± 0.25 ± ---	DRAFT WHERE APPLICABLE MUST REMAIN WITHIN DIMENSIONS	SIZE A3			SHEET NO. 4 OF 4	

9 8 7 6 5 4 3 2 1