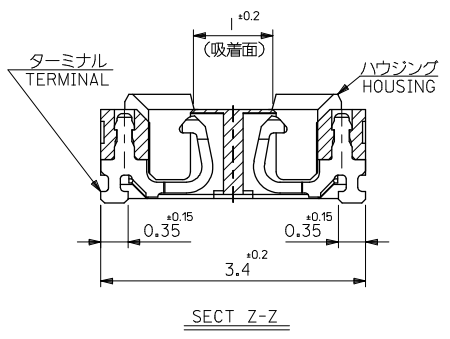
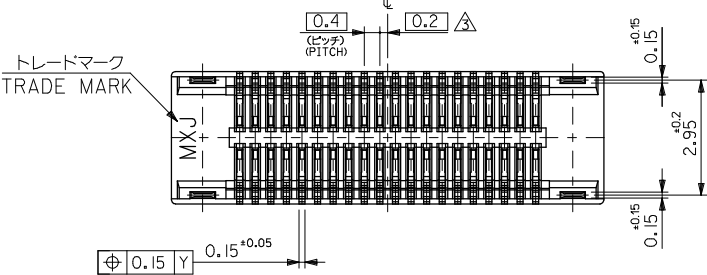
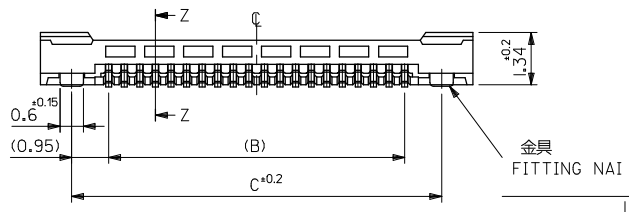
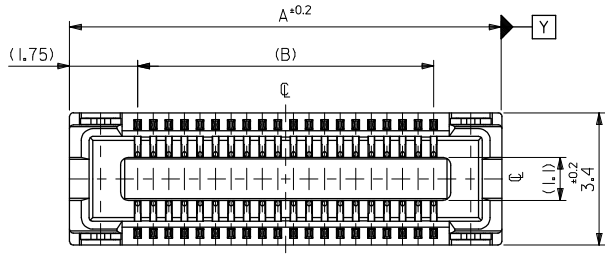


10 9 8 7 6 5 4 3 2 1

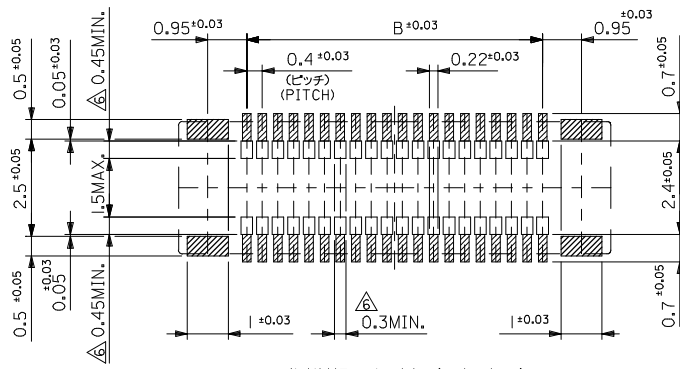


|      |      |      |  |              |      |
|------|------|------|--|--------------|------|
| 25.5 | 23.6 | 27.1 | 51338-1274                             | 51338-1209   | 120  |
| 21.5 | 19.6 | 23.1 | 51338-1074                             | 51338-1009   | 100  |
| 19.5 | 17.6 | 21.1 | 51338-0974                             | 51338-0909   | 90   |
| 17.5 | 15.6 | 19.1 | 51338-0874                             | 51338-0809   | 80   |
| 15.5 | 13.6 | 17.1 | 51338-0774                             | 51338-0709   | 70   |
| 13.5 | 11.6 | 15.1 | 51338-0674                             | 51338-0609   | 60   |
| 11.5 | 9.6  | 13.1 | 51338-0574                             | 51338-0509   | 50   |
| 9.5  | 7.6  | 11.1 | 51338-0474                             | 51338-0409   | 40   |
| 8.3  | 6.4  | 9.9  | 51338-3474                             | 51338-0349   | 34   |
| 7.5  | 5.6  | 9.1  | 51338-0374                             | 51338-0309   | 30   |
| 6.7  | 4.8  | 8.3  | 51338-2674                             | 51338-0269   | 26   |
| 6.3  | 4.4  | 7.9  | 51338-2474                             | 51338-0249   | 24   |
| 5.9  | 4.0  | 7.5  | 51338-2274                             | 51338-0229   | 22   |
| 5.5  | 3.6  | 7.1  | 51338-0274                             | 51338-0209   | 20   |
| 3.9  | 2.0  | 5.5  | 51338-9974                             | 51338-0129   | 12   |
| C    | B    | A    | EMBOSSED TAPE PKG.<br>ORDER No. オーダー番号 | MATERIAL No. | CKT. |

|   |                                       |                 |                            |                    |   |                        |                         |
|---|---------------------------------------|-----------------|----------------------------|--------------------|---|------------------------|-------------------------|
| REVISED<br>E.C. NO: J2009-0301<br>DRAWN BY: M. NINOMIYA<br>CHECKED BY: K. TOJO<br>APPROVED BY: M. SASAO<br>DATE: 2008/08/27<br>DATE: 2004/03/17<br>DATE: 2004/03/17 | GENERAL TOLERANCES (UNLESS SPECIFIED) |                 | DIMENSION STYLE<br>MM ONLY |                    | SCALE<br>---  | DESIGN UNITS<br>METRIC | MODEL NO.<br>51338-***9 |
|   | 10 UNDER                              | ±---            | DRAWN BY<br>M. NINOMIYA    | DATE<br>2004/03/17 | TITLE<br>0.4 B-T0-B REC ASSY<br>HGT=1.5 J-BEND TAIL<br>-LEAD FREE-  |                        |                         |
|   | 10 OVER                               | ±---            | CHECKED BY<br>K. TOJO      | DATE<br>2004/03/17 | MOLEX INCORPORATED  |                        |                         |
|   | 30 OVER                               | ±---            | APPROVED BY<br>M. SASAO    | DATE<br>2004/03/17 | DOCUMENT NO.<br>SD-51338-003  | SHEET NO.<br>1 OF 2    |                         |
| REV   | DESCRIPTION                           | ANGULAR<br>±--- | MATERIAL NO.<br>SEE TABLE  |                    | THIS DRAWING CONTAINS INFORMATION THAT IS PROPRIETARY TO MOLEX INCORPORATED AND SHOULD NOT BE USED WITHOUT WRITTEN PERMISSION |                        |                         |
| DRAFT WHERE APPLICABLE<br>MUST REMAIN<br>WITHIN DIMENSIONS  |                                       |                 |                            |                    |   |                        |                         |

注記 NOTES:

1. 使用材料 MATERIAL  
 ハウジング: 液晶ポリマー (LCP) ガラス充填 UL94V-0 (黒)  
 HOUSING: LIQUID CRYSTAL POLYMER (GLASS FILLED)  
 UL94V-0 (COLOR: BLACK)  
 ターミナル: リン青銅 (t=0.15)  
 TERMINAL: PHOSPHOR BRONZE (t=0.15)  
 金具: リン青銅 (t=0.15)  
 FITTING NAIL: PHOSPHOR BRONZE (t=0.15)
  2. メッキ仕様 PLATING  
 ターミナル TERMINAL  
 金メッキ 0.2マイクロメートル以上 (コンタクト部)  
 GOLD 0.2MICROMETER MINIMUM (CONTACT AREA)  
 金メッキ 0.4マイクロメートル以下 (テール部)  
 GOLD 0.4MICROMETER MAXIMUM (TAIL AREA)  
 下地メッキ: ニッケルメッキ 1.5マイクロメートル以上  
 UNDER PLATING: NICKEL 1.5MICROMETER MINIMUM  
 \*コンタクト部とテール部はニッケルメッキによって分断されている金メッキです。  
 DIVIDE INTO PARTS THE GOLD PLATING OF THE CONTACT AND THE TAIL PART BY THE NICKEL PLATING.  
 金具 FITTING NAIL  
 錫メッキ 1.0 マイクロメートル以上  
 TIN PLATING 1.0 MICROMETER MINIMUM  
 下地メッキ: ニッケルメッキ 1.0 マイクロメートル以上  
 UNDER PLATING: NICKEL 1.0 MICROMETER MINIMUM
- ③ (金繰数/2) = 偶数の場合に適用。  
 APPLY FOR (CIRCUIT/2)=EVEN.
4. 嵌合相手: 55909シリーズ  
 MATE WITH: 55909 SERIES.
  5. テール平坦度は、0.08以下  
 テール及び金具の平坦度は、0.1以下  
 TAIL COPLANARITY TO BE 0.08MAXIMUM  
 TAIL AND FITTING NAIL COPLANARITY TO BE 0.1MAXIMUM
  - ④ 同一回路以外のパターン書込み禁止範囲を示す。  
 NO PRINT CIRCUIT AREA OTHER THAN THE SAME CIRCUIT.
  7. 本製品は 51338-\*\*\*3 の鉛フリー品である。  
 THIS PRODUCT IS LEAD FREE OF 51338-\*\*\*3.

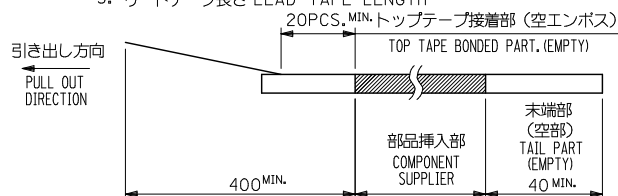


参考基板レイアウト (マウント面)  
 P.C. BOARD PATTERN DIMENSION (REFERENCE)  
 (MOUNTING AREA)

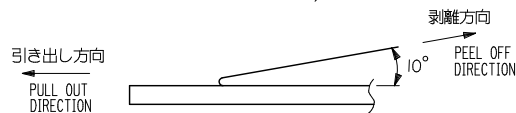
|  |                                       |   |   |                              |  |                        |                        |  |
|--|---------------------------------------|---|---|------------------------------|--|------------------------|------------------------|--|
| REVISED<br>E.C. NO: J2009-0301<br>T. DRWINABEI 2008/08/27<br>CHYKO: THARYAMA 2008/08/28<br>APPR: NIKITA 2008/08/28<br>REV: | GENERAL TOLERANCES (UNLESS SPECIFIED) |   | DIMENSION STYLE<br>MM ONLY              |                              | 51338-***9   |                        | MODEL NO.              |  |
|  | 10 UNDER ±---                         |   | DRAWN BY DATE<br>M. NINOMIYA 2004/03/17 |                              | SCALE<br>---   | DESIGN UNITS<br>METRIC | THIRD ANGLE PROJECTION |  |
|  | 10 OVER 30 UNDER ±---                 |   | CHECKED BY DATE<br>K. TOJO 2004/03/17   |                              | TITLE<br>0.4 B-T0-B REC ASSY<br>HGT=1.5 J-BEND TAIL<br>-LEAD FREE- |                        |                        |  |
|  | 30 OVER ±---                          |   | APPROVED BY DATE<br>M. SASAO 2004/03/17 |                              | MOLEX INCORPORATED   |                        |                        |  |
| ANGULAR ±---°  |                                       | MATERIAL NO.<br>SEE SHEET 1   |   | DOCUMENT NO.<br>SD-51338-003 |  | SHEET NO.<br>2 OF 2    |                        |  |
| DRAFT WHERE APPLICABLE<br>MUST REMAIN<br>WITHIN DIMENSIONS   |                                       | SIZE THIS DRAWING CONTAINS INFORMATION THAT IS PROPRIETARY TO MOLEX<br>INCORPORATED AND SHOULD NOT BE USED WITHOUT WRITTEN PERMISSION |   |                              |  |                        |                        |  |

NOTES

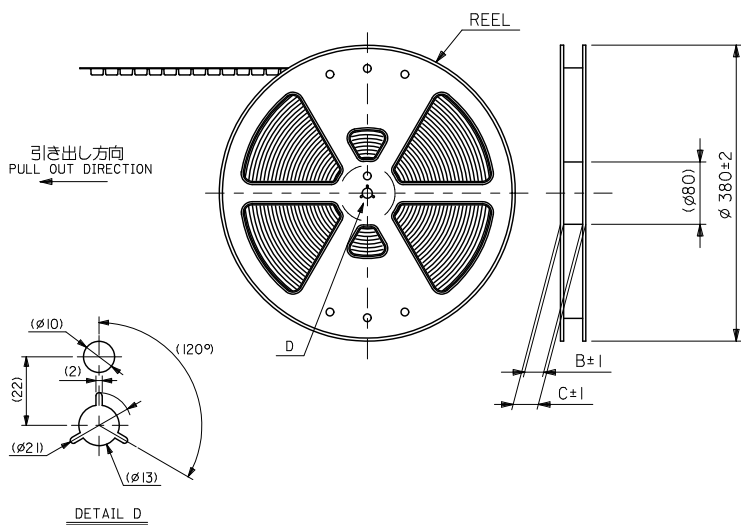
- 製品詳細寸法については製品単体図面を参照下さい。  
RE DETAILED DIMENSION, SEE PRODUCT DRAWING.
- 梱包数量：2500個/リール  
NUMBER OF CONNECTORS : 2500PCS/REEL
- リードテープ長さ LEAD TAPE LENGTH



- トップテープの剥離強度：0.1N ~ 1.3N(10gf ~ 130gf)  
(剥離方向は下図参照)  
尚、本規格値は出荷時に適用。(但し、輸送時に剥離が発生しないこと。)  
PEELING OFF FORCE OF TOP TAPE : 0.1N ~ 1.3N(10gf ~ 130gf)  
(PEELING DIRECTION AS SHOWN IN FOLLOWING FIG.)  
THIS REQUIREMENT SHOULD BE APPLIED AT SHIPMENT.  
PEEL OFF SHOULD NOT BE ALLOWED, DURING TRANSPORTATION.



- 材料  
キャリアテープ (CARRIER TAPE) : ポリプロピレン (POLYPROPYLENE)  
トップテープ (TOPTAPE) : PET, PE, PEF  
リール (REEL) : ポリスチレン (PS) <リサイクル材を含む>  
POLYSTYRENE (PS) <RECYCLE MATERIAL CONTAINED>
- 本製品は 51338-\*\*\*4 の鉛フリー品である。  
THIS PRODUCT IS LEAD FREE OF 51338-\*\*\*4.
- ELV 及び RoHS 適合品。  
ELV AND RoHS COMPLIANT.



DETAIL D

|   |                                       |  |                            |                    |  |   |                        |  |
|---|---------------------------------------|--|----------------------------|--------------------|--|---|------------------------|--|
| REVISED<br>EC NO: J2010-2356<br>T: DRW: N.TOSHIMA 2010/07/20<br>CHK: K.TOYODA 2010/07/20<br>APP: M.SASAO 2010/07/21 | GENERAL TOLERANCES (UNLESS SPECIFIED) |  | DIMENSION STYLE<br>MM ONLY |                    | SCALE<br>---   | DESIGN UNITS<br>METRIC  | THIRD ANGLE PROJECTION |  |
|   | 10 UNDER                              | ±---   | DRAWN BY<br>M. NINOMI      | DATE<br>2004/03/17 | TITLE<br>0.4 B-TO-B CONN. REC ASSY(HGT=1.5) EMBSTP PKG |   |                        |  |
|   | 10 OVER 30 UNDER                      | ±---   | CHECKED BY<br>K. TOJO      | DATE<br>2004/03/17 | MOLEX INCORPORATED                                     |   |                        |  |
|   | 30 OVER                               | ±---   | APPROVED BY<br>M. SASAO    | DATE<br>2004/03/17 | DOCUMENT NO.<br>SD-51338-004                           | SHEET NO.<br>1 OF 4   |                        |  |
| ANGULAR ±---  |                                       | DRAFT WHERE APPLICABLE MUST REMAIN WITHIN DIMENSIONS |                            | SEE CHART          |  | THIS DRAWING CONTAINS INFORMATION THAT IS PROPRIETARY TO MOLEX INCORPORATED AND SHOULD NOT BE USED WITHOUT WRITTEN PERMISSION |                        |  |

10 9 8 7 6 5 4 3 2 1

F

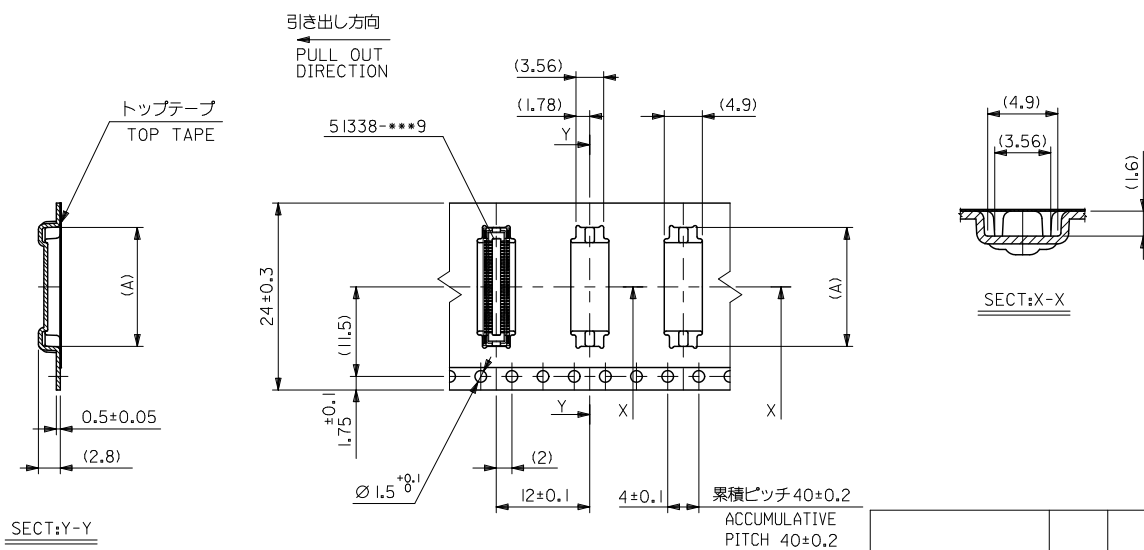
E

D

C

B

A



SECT:Y-Y

SECT:X-X

24mm幅キャリアテープ  
24mm WIDTH CARRIER TAPE

累積ピッチ 40±0.2  
ACCUMULATIVE PITCH 40±0.2

|                                |            |      |                                      |            |      |
|--------------------------------|------------|------|--------------------------------------|------------|------|
| 24                             | 29.4       | 25.4 | 15.26                                | 51338-0674 | 60   |
|                                |            |      | 13.26                                | 51338-0574 | 50   |
|                                |            |      | 11.26                                | 51338-0474 | 40   |
|                                |            |      | 10.06                                | 51338-3474 | 34   |
|                                |            |      | 9.26                                 | 51338-0374 | 30   |
|                                |            |      | 8.46                                 | 51338-2674 | 26   |
|                                |            |      | 8.06                                 | 51338-2474 | 24   |
|                                |            |      | 7.66                                 | 51338-2274 | 22   |
|                                |            |      | 7.26                                 | 51338-0274 | 20   |
| 6.46                           | 51338-1674 | 16   |                                      |            |      |
| 5.66                           | 51338-9974 | 12   |                                      |            |      |
| キャリアテープ幅<br>CARRIER TAPE WIDTH |            |      | C                                    | B          | (A)  |
|                                |            |      | EMBOSSED PACKAGE<br>ORDER NO. カ-ゲ-89 |            | CKT. |

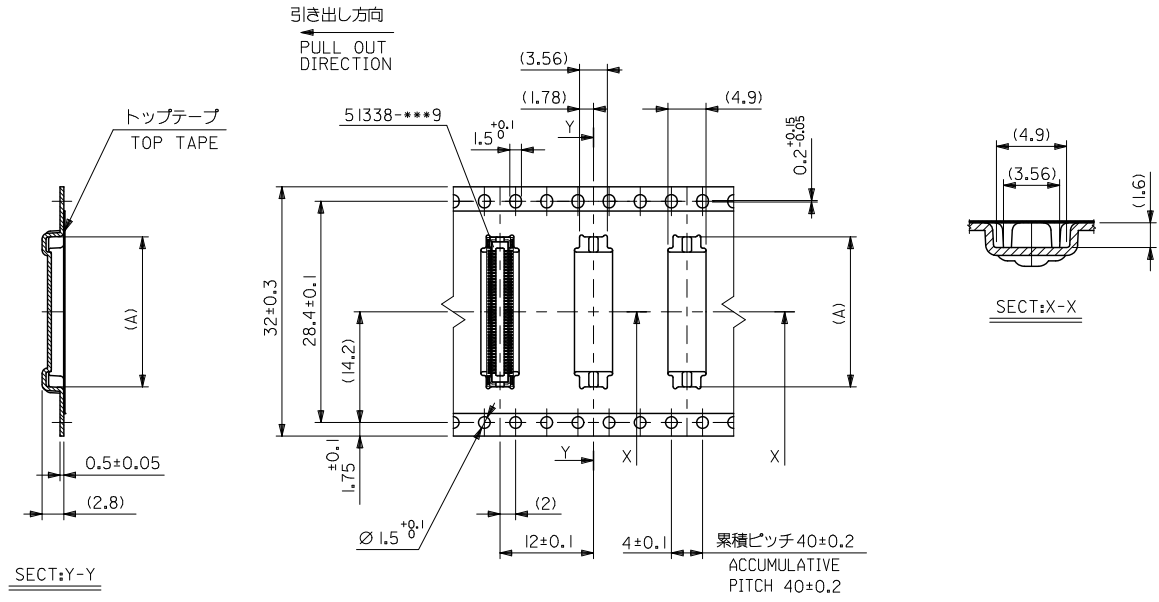
CONNECTOR SERIES No. 51338-\*\*\*9

|   |                                       |       |  |                           |   |                              |
|---|---------------------------------------|-------|--|---------------------------|---|------------------------------|
| REVISED<br>EEC NO: J2010-2356<br>T:DRWNTOSHIMA 2010/07/20<br>CHYKDKTOYODA 2010/07/20<br>APPR:M.SASAO 2010/07/21<br>REV: | GENERAL TOLERANCES (UNLESS SPECIFIED) |       | DIMENSION STYLE<br>MM ONLY                                 | SCALE<br>---              | DESIGN UNITS<br>METRIC                                    | THIRD ANGLE PROJECTION       |
|   | 10 UNDER                              | ±---  | DRAWN BY<br>M.NINOMI                                       | DATE<br>2004/03/17        | TITLE<br>0.4 B-TO-B CONN. REC<br>ASSY(HGT=1.5) EMBSTP PKG |                              |
|   | 10 OVER 30 UNDER                      | ±---  | CHECKED BY<br>K.TOJO                                       | DATE<br>2004/03/17        | APPROVED BY<br>M.SASAO                                    |                              |
|   | 30 OVER                               | ±---  | DATE<br>2004/03/17   | MATERIAL NO.<br>SEE CHART |   | DOCUMENT NO.<br>SD-51338-004 |
|   | ANGULAR                               | ±---° | DRAFT WHERE APPLICABLE<br>MUST REMAIN<br>WITHIN DIMENSIONS |                           | SHEET NO.<br>2 OF 4                                       |                              |

ib\_frame\_A3\_J\_ME\_S  
Rev. E 2006/04/15

EN-02JA(021)

10 9 8 7 6 5 4 3 2 1



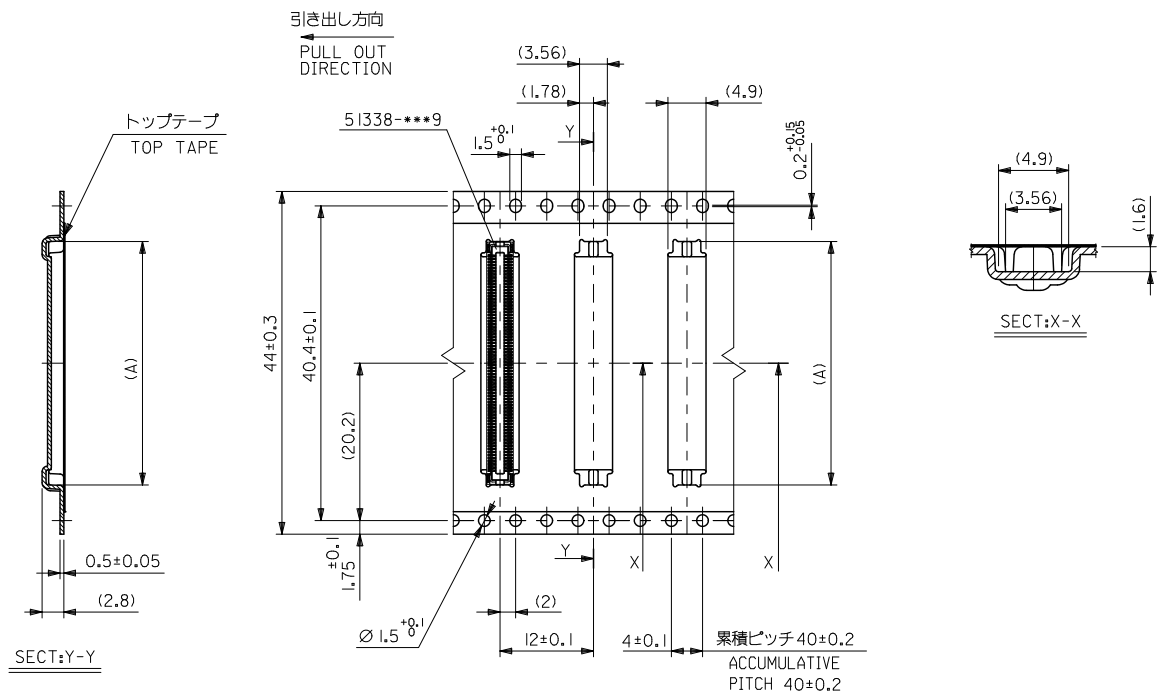
32mm幅キャリアテープ  
32mm WIDTH CARRIER TAPE

|                                |      |      |       |                                     |      |
|--------------------------------|------|------|-------|-------------------------------------|------|
| 32                             | 37.4 | 33.4 | 21.26 | 51338-0974                          | 90   |
|                                |      |      | 19.26 | 51338-0874                          | 80   |
|                                |      |      | 17.26 | 51338-0774                          | 70   |
| キャリアテープ幅<br>CARRIER TAPE WIDTH | C    | B    | (A)   | EMBOSSED PACKAGE<br>ORDER NO. オブ-番号 | CKT. |

CONNECTOR SERIES No. 51338-\*\*\*9

|   |                                       |      |                     |   |              |                        |
|---|---------------------------------------|------|---------------------|---|--------------|------------------------|
| REVISED<br>EC NO: J2010-2356<br>T:DRWN:K.TOSHIMA 2010/07/20<br>CHYKDK:TOYODA 2010/07/20<br>APPR:M.SASAO 2010/07/21<br>REV DESCRIPTION | GENERAL TOLERANCES (UNLESS SPECIFIED) |      | DIMENSION STYLE     | SCALE   | DESIGN UNITS | THIRD ANGLE PROJECTION |
|   | 10 UNDER                              | ±--- | MM ONLY             | ---   | METRIC       |                        |
|   | 10 OVER                               | ±--- |                     |   |              |                        |
|   | 30 OVER                               | ±--- |                     |   |              |                        |
|   | ANGULAR                               | ±--- |                     |   |              |                        |
| DRAFT WHERE APPLICABLE MUST REMAIN WITHIN DIMENSIONS  |                                       |      | DRAWN BY DATE       | TITLE   |              |                        |
|   |                                       |      | M.NINOMI 2004/03/17 | 0.4 B-TO-B CONN. REC ASSY(HGT=1.5) EMBSTP PKG |              |                        |
|   |                                       |      | CHECKED BY DATE     | DRAWN BY DATE                                 |              |                        |
|   |                                       |      | K.TOJO 2004/03/17   | M.NINOMI 2004/03/17                           |              |                        |
|   |                                       |      | APPROVED BY DATE    | APPROVED BY DATE                              |              |                        |
|   |                                       |      | M.SASAO 2004/03/17  | M.SASAO 2004/03/17                            |              |                        |
|   |                                       |      | MATERIAL NO.        | DOCUMENT NO.                                  |              |                        |
|   |                                       |      | SEE CHART           | SD-51338-004                                  |              |                        |
|   |                                       |      | SIZE                | SHEET NO.                                     |              |                        |
|   |                                       |      | A3                  | 3 OF 4  |              |                        |
| THIS DRAWING CONTAINS INFORMATION THAT IS PROPRIETARY TO MOLEX INCORPORATED AND SHOULD NOT BE USED WITHOUT WRITTEN PERMISSION         |                                       |      |                     |   |              |                        |

10 9 8 7 6 5 4 3 2 1



44mm幅キャリアテープ  
44mm WIDTH CARRIER TAPE

|                                |      |      |       |                  |      |
|--------------------------------|------|------|-------|------------------|------|
| 44                             | 49.4 | 45.4 | 27.26 | 51338-1274       | 120  |
| キャリアテープ幅<br>CARRIER TAPE WIDTH | C    | B    | (A)   | 51338-1074       | 100  |
|                                |      |      |       | EMBOSSED PACKAGE | CKT. |
|                                |      |      |       | ORDER NO. オークラ   |      |

CONNECTOR SERIES No. 51338-\*\*\*9

|   |                                       |          |                    |   |                    |   |
|---|---------------------------------------|----------|--------------------|---|--------------------|---|
| REVISED<br>EEC NO: J2010-2356<br>T:DRWN:K.TOSHIMA 2010/07/20<br>CHYKDK:TOYODA 2010/07/20<br>APPR:MSASAO 2010/07/21<br>REV DESCRIPTION | GENERAL TOLERANCES (UNLESS SPECIFIED) |          | DIMENSION STYLE    | SCALE   | DESIGN UNITS       | THIRD ANGLE PROJECTION                        |
|   | 10 UNDER                              | ±---     | MM ONLY            | ---   | METRIC             | ☉   |
|   | 10 OVER                               | 30 UNDER | ±---               | DRAWN BY  | DATE               | TITLE   |
|   | 30 OVER                               | ±---     | ANGULAR            | M.NINOMI 2004/03/17   | 2004/03/17         | 0.4 B-TO-B CONN. REC ASSY(HGT=1.5) EMBSTP PKG |
| DRAFT WHERE APPLICABLE MUST REMAIN WITHIN DIMENSIONS  |                                       | ±---     | CHECKED BY         | DATE  | APPROVED BY        | DATE  |
|   |                                       | ±---     | K.TOJO 2004/03/17  | 2004/03/17  | M.SASAO 2004/03/17 | 2004/03/17                                    |
|   |                                       | ±---     | APPROVED BY        | DATE  | MATERIAL NO.       | DOCUMENT NO.                                  |
|   |                                       | ±---     | M.SASAO 2004/03/17 | 2004/03/17  | SEE CHART          | SD-51338-004                                  |
|   |                                       | ±---     | MATERIAL NO.       | DOCUMENT NO.  | SHEET NO.          |   |
|   |                                       | ±---     | SEE CHART          | SD-51338-004  | 4 OF 4             |   |
|   |                                       | ±---     | SIZE               | THIS DRAWING CONTAINS INFORMATION THAT IS PROPRIETARY TO MOLEX INCORPORATED AND SHOULD NOT BE USED WITHOUT WRITTEN PERMISSION |                    |   |
|   |                                       | ±---     | A3                 |   |                    |   |